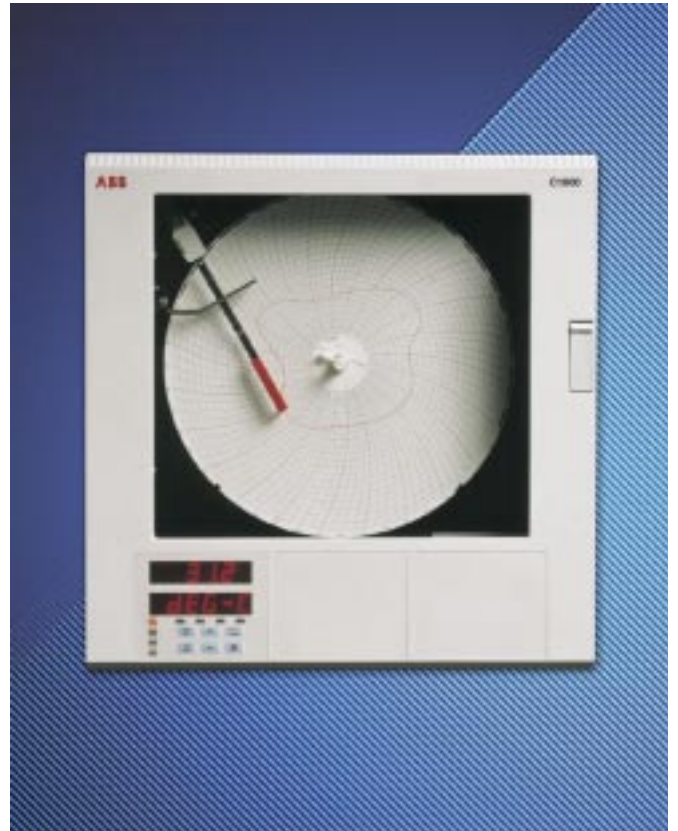


Single Pen Circular Chart Recorder

C1901



- **Universal process input**
 - mA, mV, V, thermocouples and resistance
- **Signal linearization**
 - full range of linearizers included as standard
- **6-digit indicator panel**
 - continuous display of process value
- **NEMA 4X/IP66 construction**
 - hosedown protection
- **Optional Totalizer function**
 - 8-digit Flow totalizer



C1901 – a rugged, reliable recorder for all single channel recording applications

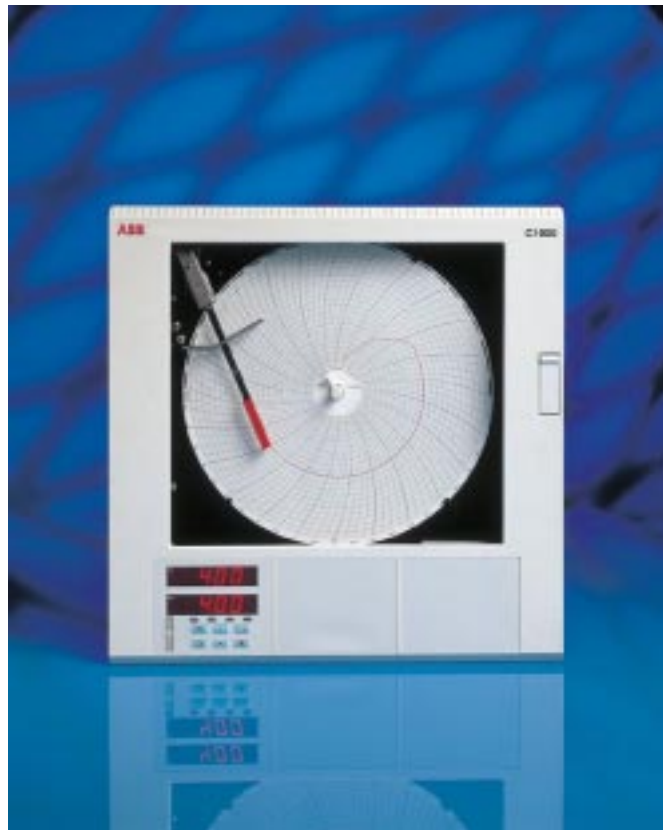


C1901

The C1901 is a single pen, fully programmable circular chart recorder. The instrument's straightforward operator controls and robust construction make it suitable for a variety of industrial environments.

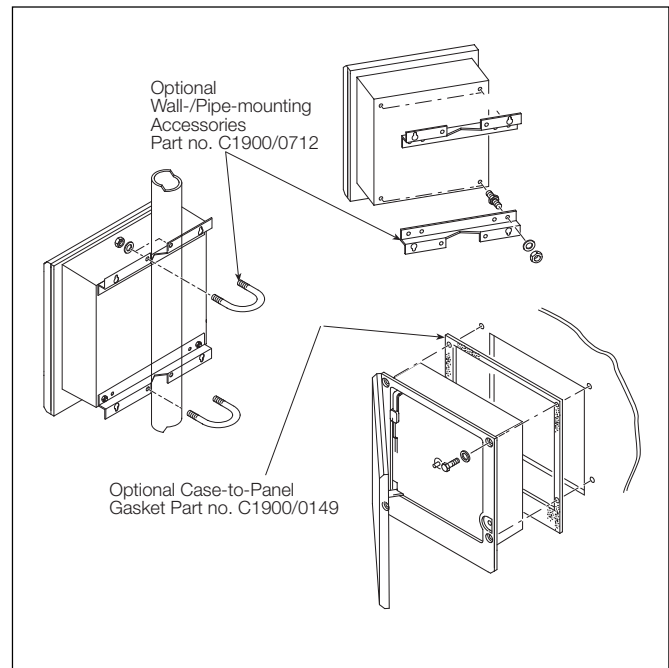
Designed to Survive

NEMA 4X protection ensures the C1901 can survive in the harshest environments and makes the recorder ideal for use in panels which are regularly hosed down. The tough, acid-resistant case and secure cable-entry glands maintain the NEMA 4X rating for wall-mount or pipe-mount instruments.



Easy to Install

A choice of mounting options enables simple installation of the recorder in a panel, on a wall or on a pipe. Mains isolation can be provided by an optional power switch within the instrument.



Specification

General

Construction

Size	15.23 in. (h) x 15.04 in. (w) x 5.57 in. (d) (386.8 x 128.0 x 141.5mm)
Weight	18lb (8.2kg)
Case material	Glassfiber-filled reinforced polyester
Window Material	Polycarbonate
Door latch	High-compression with optional lock

Environmental

Operational temperature range	32° to 130°F (0° to 55°C)
Operational humidity range	5 to 95%RH (non-condensing) 5 to 80%RH (chart only)
Case sealing	NEMA 4X (IP66)
Fast transients	IEC 801-4 Level 3

Installation

Mounting options	Panel, wall or pipe
Terminal type	Screw
Wire size (max)	14 AWG (I/O), 12 AWG (power)

Operation and Configuration

Programming method	Via front panel keys
Security	Password protected menus

Safety

General safety	IEC348
Isolation	2kV DC (channel/ground)
Memory protection	Nonvolatile EEPROM

Approvals

CE	
CSA	(option)
CSA/FM Class 1 Div. 2	(option)
UL	(option)

Power Supply

Voltage	115/230V AC ±15%, 50/60Hz
Consumption	<40 VA
Line interruption	Up to 60ms

Totalizer

Size	99,999,999 max.
Count direction	Up or down
Preset	User-programmable

Process Input

General

Noise Rejection	Common mode >120dB at 50/60Hz Normal (series) mode >60dB at 50/60Hz
CJC rejection ratio	<0.05°C/°C
Sensor break protection	Upscale or downscale drive
Out of range detection	0 to 100% of engineering span
Temperature stability	<0.02% of reading/°C or 1µV/°C
Long-term drift	<0.01% of reading 10µV annually
Input impedance	>10 MΩ (mV and V inputs) 100 Ω (mA input)

Analog Input

Signal types	mV, V, mA, Ω
Thermocouple types	B, E, J, K, N, R, S, T
Resistance Thermometer	Pt 100
Other linearizations	x ^{3/2} , x ^{5/2} , square root
Sample interval	250ms
Digital Filter	0 to 60s programmable

Recording System

Pen

Color	Red
Response	7 seconds (full scale)
Resolution	0.1% steps
Pen lift	Motor-driven, with optional auto-drop

Chart

Chart size	10 in. or 105mm
Chart speed	1 to 167 hours or 7 to 32 days per revolution

Display and Operator Panels

Displays

Type	6-digit red LED, 0.56 in. (14mm) high
------	---------------------------------------

Panel keys

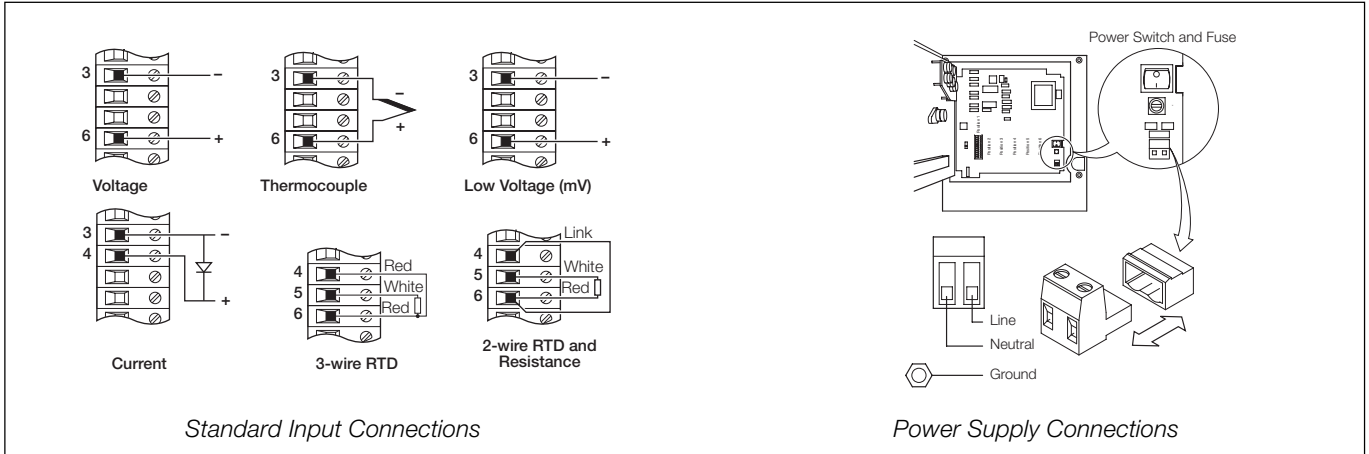
Function	Programming access, increment/decrement, pen lift and user-defined function key.
----------	--

Analog Input Performance

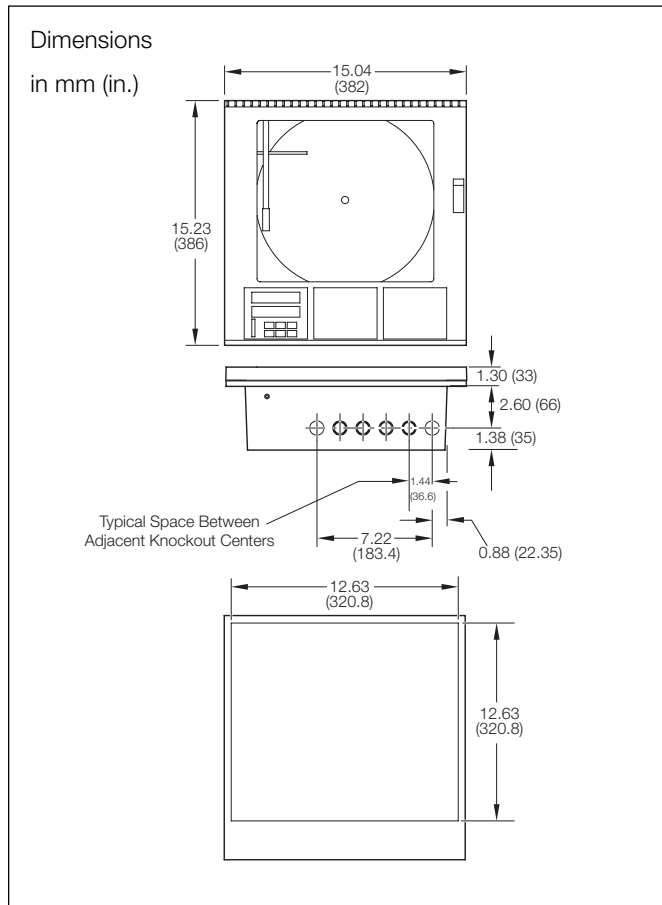
Type	Range Low	Range High	Min. Span	Accuracy
mV	0	150	5	±0.1% reading or 10μV
V	0	5	0.1	±0.1% reading or 20μV
mA	0	50	1	±0.2% reading or 0.2μA
Ohms (low)	0	750	20	±0.2% reading or 0.1Ω
Ohms (high)	0	10k	400	±0.5% reading or 10Ω

Type	°C		°F		Accuracy (excl. CJC)
	Range Low	Range High	Range Low	Range High	
B	-18	1800	0	3270	±2.0°C (above 200°C)
E	-100	900	-140	1650	±0.5°C
J	-100	900	-140	1650	±0.5°C
K	-100	1300	-140	2350	±0.5°C
N	-200	1300	-325	2350	±0.5°C
R	-18	1700	0	3000	±1.0°C (above 300°)
S	-18	1700	0	3000	±1.0°C (above 200°C)
T	-250	300	-400	550	±0.5°C
Pt100	-200	600	-325	1100	±0.5°C

Wiring Connections



Overall Dimensions



Ordering Information

C1901 Single Pen Circular Chart Recorder		1901	X	X	0	X	X	X	0	0	0	0	0	0	XXXX
Chart Type															
Taylor (ER/C) charts			J												
KPC 105, Kent PX and Kent PXR type charts			K												
Chessel brand charts			C												
Build															
ABB Standard			A												
CSA approved			B												
CSA/FM Class 1 Division 2 approved			F												
UL approved			U												
Options															
None								0							
Totalizer								3							
Door Lock															
Not fitted															1
Fitted															2
Power Supply															
115V AC															1
230V AC															2
115V AC with On/Off switch															4
230V AC with On/Off switch															5
Programming/Special Features															
Configured to factory standard															STD
Configured to customer requirements															CUS
Special features															SPXX

ABB has Sales & Customer Support expertise in over 100 countries worldwide

www.abb.com

The Company's policy is one of continuous product improvement and the right is reserved to modify the information contained herein without notice.

Printed in UK (09.02)

© ABB 2002



ABB Inc.
125 E. County Line Road
Warminster
PA 18974
USA
Tel: +1 215 674 6000
Fax: +1 215 674 7183

ABB Limited
Howard Road, St Neots
Cambridgeshire
PE19 8EU
UK
Tel: +44 (0)1480 475321
Fax: +44 (0)1480 217948