

Spares List

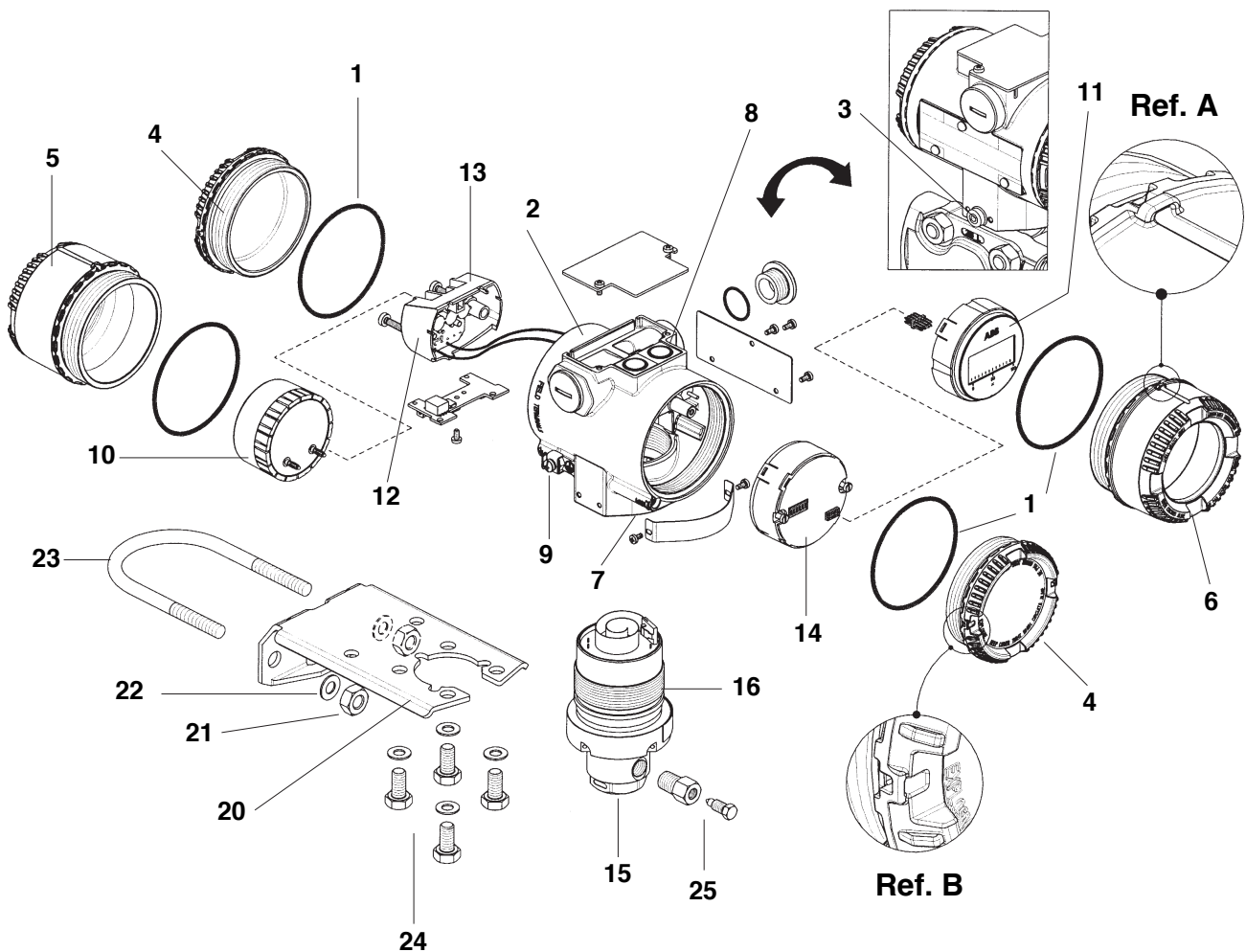
2600T Series Electronic Transmitters Models 264_268HS/NS 264GS/AS, 264HF/NF

This spare list publication applies for transmitters manufactured from november 2005, using the new housing and covers. Instruments with this new parts can be identified by the covers detail on the casting (enlarged ref. A and B) which allows the passage of a wire to seal with lead the covers/housing (i.e. for fiscal purpose).

New compatible "O" rings for covers have a toroidal thickness of 2.6 mm.

The new housing/covers/"O"rings ARE NOT INTERCHANGEABLE with previous version.

Refer to older revision of spares list publication for instruments using previous housing/covers casting and relevant "O" rings (with toroidal thickness of 1.7 mm).



Item no.	Description	Part No.	Q.ty per Tx
1	Package of 2 "O" rings for covers (Category B)	DR0255	1
2	Barrel housing in aluminium, HART and 4 to 20 mA versions (with items 3, 7, 8, 9, 12)		1
	- 1/2 - 14NPT	AR2434	
	- M20	AR2435	
	- Pg 13.5	AR2436	
	- 1/2 GK	AR2437	
	Barrel housing in AISI 316L ss, HART and 4 to 20 mA versions (with items 3, 7, 8, 9, 12)		1
	- 1/2 - 14NPT	AR2438	
	- M20	AR2439	
	- Pg 13.5	AR2440	
	- 1/2 GK	AR2441	
	Barrel housing in aluminium copper-free, HART version (with items 3, 7, 8, 9, 12)		1
	- 1/2 - 14NPT	AR2444	
	- M20	AR2445	
	- Pg 13.5	AR2446	
	- 1/2 GK	AR2447	
	Barrel housing in aluminium, Profibus and FF versions (with items 3, 7, 8, 9, 12)		1
	- 1/2 - 14NPT	AR2448	
	- M20	AR2449	
	- Pg 13.5	AR2450	
	- 1/2 GK	AR2451	
	Barrel housing in AISI 316L ss, Profibus and FF versions (with items 3, 7, 8, 9, 12)		1
	- 1/2 - 14NPT	AR2452	
	- M20	AR2453	
	- Pg 13.5	AR2454	
	- 1/2 GK	AR2455	
	Barrel housing in aluminium copper-free, Profibus/FF versions (with items 3, 7, 8, 9, 12)		1
	- 1/2 - 14NPT	AR2458	
	- M20	AR2459	
	- Pg 13.5	AR2460	
	- 1/2 GK	AR2461	
3-7	Kit: locking screws for covers and tang	DR0165	1
4	Blind cover:		1-2
	- Aluminium	PC3011	
	- AISI 316 L ss	PC3015	
	- Aluminium copper-free	PC3013	
	- Aluminium Safety version	PC3012	
	- Aluminium copper-free Safety version	PC3014	
	- AISI 316L ss Safety versions	PC3016	
5	Windowed cover for LCD or analog output indicator:		1
	- Aluminium	AC3020	
	- AISI 316L ss	AC3024	
	- Aluminium copper-free	AC3022	
	- Aluminium Safety version	AC3021	
	- Aluminium copper-free Safety version	AC3023	
	- AISI 316L ss Safety version	AC3025	
6	Windowed cover for integral display:		1
	- Aluminium	AC3017	
	- AISI 316 L ss	AC3019	
	- Aluminium copper-free	AC3018	
8	Kit push button (zero and span)	DR0166	1
9	Kit: external earth connection assembly	DR0022	1
10	Output indicator:		1
	- analog 0-100% linear scale	EL0001	
	- ProMeter LCD digital (General purpose)	DR0206	
	- ProMeter LCD digital (EEx ia)	DR0207	
	- programmable signal meter and HART configurator CoMeter (general purpose)	DR0142	
	- programmable signal meter and HART configurator CoMeter (Intrinsic Safety EEx ia)	DR0145	

Note: Kits contain parts for one transmitter

Recommended spares: one part of category "A" for every 25 transmitters: one part of category "B" for every 50 transmitters.

Item no.	Description	Part N°	Q.ty per Tx
10-1-5	Output indicator kit with windowed aluminium cover and "O" ring - analog 0-100% linear scale - ProMeter LCD digital (General purpose) - ProMeter LCD digital (Intrinsic Safety EEx ia) - programmable signal meter and HART configurator CoMeter (general purpose) - programmable signal meter and HART configurator CoMeter (Intrinsic Safety EEx ia)	DR0256 DR0258 DR0259 DR0261 DR0262	1
	Output indicator kit with windowed aluminium cover Safety version and "O" ring - analog 0-100% linear scale - ProMeter LCD digital (General purpose) - ProMeter LCD digital (Intrinsic Safety EEx ia) - programmable signal meter and HART configurator CoMeter (general purpose) - programmable signal meter and HART configurator CoMeter (Intrinsic Safety EEx ia)	DR0264 DR0266 DR0267 DR0269 DR0270	1
	Output indicator kit with windowed AISI cover and "O" ring - analog 0-100% linear scale - ProMeter LCD digital (General purpose) - ProMeter LCD digital (Intrinsic Safety EEx ia) - programmable signal meter and HART configurator CoMeter (general purpose) - programmable signal meter and HART configurator CoMeter (Intrinsic Safety EEx ia)	DR0272 DR0274 DR0275 DR0277 DR0278	1
	Output indicator kit with windowed aluminium copper-free cover and "O" ring - analog 0-100% linear scale - ProMeter LCD digital (General purpose) - ProMeter LCD digital (Intrinsic Safety EEx ia) - programmable signal meter and HART configurator CoMeter (general purpose) - programmable signal meter and HART configurator CoMeter (Intrinsic Safety EEx ia)	DR0280 DR0282 DR0283 DR0285 DR0286	1
	Output indicator kit with windowed aluminium copper-free cover Safety version, "O" ring - analog 0-100% linear scale - ProMeter LCD digital (General purpose) - ProMeter LCD digital (Intrinsic Safety EEx ia) - programmable signal meter and HART configurator CoMeter (general purpose) - programmable signal meter and HART configurator CoMeter (Intrinsic Safety EEx ia)	DR0288 DR0290 DR0291 DR0293 DR0294	1
	Output indicator kit with windowed AISI cover Safety version and "O" ring - analog 0-100% linear scale - ProMeter LCD digital (General purpose) - ProMeter LCD digital (Intrinsic Safety EEx ia) - programmable signal meter and HART configurator CoMeter (general purpose) - programmable signal meter and HART configurator CoMeter (Intrinsic Safety EEx ia)	DR0296 DR0298 DR0299 DR0301 DR0302	1
11	Integral display (LCD digital μ P driven) with connector	DR0246	1
11-1-6	Integral display kit with windowed aluminium cover and "O" ring	DR0304	1
	Integral display kit with windowed AISI cover and "O" ring	DR0305	1
	Integral display kit with windowed aluminium copper-free cover and "O" ring	DR0306	1
12	Terminal block assembly for models 264Hx_Nx (not for mod. 264HSV) (Category A)	AR0326	1
	Terminal block assembly for models 264GS_AS and for 264HSV (Category A)	AR2425	1
	Terminal block assembly (Profibus and FF versions) (Category A)	AR2405	1
12-13	Kit: terminal block complete of surge protector	AR0328	1
14	Secondary electronics module: (Category B) - HART - Fieldbus (Rev. 2) - Profibus - HART Safety (SIL2)	AU3009 AU3027 AU0011 AN0846	1
15	Transducer assembly (see relevant Spare Parts Code List) (includes item 16) (Categ.B)	- -	1
16	"O" ring	2000.9460	1
20	Bracket - Carbon steel - AISI 316L ss - AISI 316L ss for AISI housing	AB515.05260 AB515.05580 AP0360	1
21-22-23	Mounting kit for bracket - Carbon steel - AISI 316L ss	AR115.50270 DR0073	1
24	Screw for mounting bracket - Carbon steel - AISI 304 ss	DR0074 DR0075	1
20 to 24	Bracket kit - Carbon steel - AISI ss - AISI ss for AISI housing	DR0069 DR0070 DR0129	1
25	Kit drain/vent valve (seat and stem) (Category A) - AISI 316L ss - Hastelloy C - Monel	DR0018 DR0020 DR0021	1

Spare Parts Code List

2600T Series Electronic Transmitters Bottom works assembly for pressure Tx's Mod. B264HS gauge high overload Mod. B264NS absolute high overload

MEASUREMENT

Gauge pressure high overload
Absolute pressure high overload

Code	
B264HS	
	B264NS

SPAN LIMITS

0.65 and 65 kPa	6.5 and 650 mbar	2.6 and 260 inH2O
1.6 and 160 kPa	16 and 1600 mbar	6.4 and 642 inH2O
6 and 600 kPa	0.06 and 6 bar	0.87 and 87 psi
24 and 2400 kPa	0.24 and 24 bar	3.5 and 348 psi
80 and 8000 kPa	0.8 and 80 bar	11.6 and 1160 psi
160 and 16000 kPa	1.6 and 160 bar	23.2 and 2320 psi
600 and 60000 kPa	6 and 600 bar	87 and 8700 psi
1.1 and 65 kPa	11 and 650 mbar	8 and 480 mmHg
2.67 and 160 kPa	26.7 and 1600 mbar	20 and 1200 mmHg
10 and 600 kPa	0.1 and 6 bar	1.45 and 87 psi
40 and 2400 kPa	0.4 and 24 bar	5.8 and 348 psi
134 and 8000 kPa	1.34 and 80 bar	19.4 and 1160 psi
267 and 16000 kPa	2.67 and 160 bar	38.7 and 2320 psi

G	
H	
M	
P	
Q	
S	
V	
	G
	H
	M
	P
	Q
	S

Diaphragm material

Diaphragm material	Fill fluid
AISI 316 L ss	Silicone oil (Note 2)
Hastelloy C276 (AISI seat)	Silicone oil (Note 2)
Hastelloy C276	Silicone oil
Hastelloy C276 gold plated	Silicone oil (Note 9)
Monel 400	Silicone oil (Note 2)
AISI 316 L ss gold plated	Silicone oil (Note 2)
Tantalum	Silicone oil (Note 2)
AISI 316 L ss	Inert fluid - Galden (Notes 1, 2)
Hastelloy C276 (AISI seat)	Inert fluid - Galden (Notes 1, 2)
Hastelloy C276	Inert fluid - Galden (Note 1)
Hastelloy C276 gold plated	Inert fluid - Galden (Note 1, 9)
Monel 400	Inert fluid - Galden (Notes 1, 2)
AISI 316 L ss gold plated	Inert fluid - Galden (Notes 1, 2)
Tantalum	Inert fluid - Galden (Notes 1, 2)
AISI 316 L ss	Inert fluid - Halocarbon (Notes 1, 2)
Hastelloy C276 (AISI seat)	Inert fluid - Halocarbon (Notes 1, 2)
Hastelloy C276	Inert fluid - Halocarbon (Notes 1, 2)
Monel 400	Inert fluid - Halocarbon (Notes 1, 2)
AISI 316 L ss gold plated	Inert fluid - Halocarbon (Notes 1, 2)
Tantalum	Inert fluid - Halocarbon (Notes 1, 2)

S	S
H	H
K	K
G	
M	
8	
T	
A	A
B	B
F	F
E	
C	
9	
D	
L	L
Q	Q
P	P
4	
I	
5	

Process connection material

Connection

Process connection material	Connection
AISI 316 L ss	1/2-14NPT female (Note 3)
AISI 316 L ss	1/2-14NPT male (Note 3)
AISI 316 L ss	DIN EN837-1 G 1/2 B (Note 3)
AISI 316 L ss	Adapter straight (180°) entry (Notes 2,3)
AISI 316 L ss	Adapter angle (90°) entry (Notes 2,3)
Hastelloy C276	1/2-14NPT female (Note 4)
Hastelloy C276	1/2-14NPT male (Note 4)
Hastelloy C276	DIN EN837-1 G 1/2 B (Note 4)
Hastelloy C276	Adapter straight (180°) entry (Notes 2,4)
Hastelloy C276	Adapter angle (90°) entry (Notes 2,4)
Monel 400	1/2-14NPT female (Note 5)
Monel 400	1/2-14NPT male (Note 5)
Monel 400	DIN EN837-1 G 1/2 B (Note 5)

B	B
T	T
P	P
A	A
N	N
E	E
K	K
D	D
F	F
C	C
1	
2	
3	

Drain/vent valve material

None	
AISI 316 L ss	(Notes 2, 6)
Hastelloy C276	(Notes 2, 7)
Monel 400	(Notes 2, 8)

N	N
A	A
B	B
C	

Note 1: Suitable for oxygen service

Note 2: Not available with sensor code V.

Note 3: Not available with diaphragm code K, F combined with sensor code G to S and diaphragm code M, T, C, D, P, 4, 5

Note 4: Not available with diaphragm code S, H, A, B, L, Q, M, C, 4, 8, 9, I

Note 5: Not available with diaphragm code S, H, K, T, A, B, F, D, L, Q, P, 5, E, G, 8, 9, I

Note 6: Not available with Process connection code E, K, D, F, C, 1, 2, 3.

Note 7: Not available with Process connection code B, T, P, A, N, 1, 2, 3.

Note 8: Not available with Process connection code E, K, D, F, C, B, T, A, P, N.

Note 9: Not available with Sensor code G to S (suitable only for sensor code V)

Spare Parts Code List

2600T Series Electronic Transmitters Bottom works assembly for pressure Tx's Mod. B264GS gauge standard overload Mod. B264AS absolute standard overload

MEASUREMENT

Gauge pressure standard overload
Absolute pressure standard overload

Code

B264GS	
	B264AS

SPAN LIMITS

0.2 and 6 kPa	2 and 60 mbar	0.8 and 24 inH2O
0.4 and 40 kPa	4 and 400 mbar	1.6 and 160 inH2O
2.5 and 250 kPa	25 and 2500 mbar	10 and 1000 inH2O
30 and 3000 kPa	0.3 and 30 bar	4.35 and 435 psi
100 and 10000 kPa	1 and 100 bar	14.5 and 1450 psi
600 and 60000 kPa	6 and 600 bar	87 and 8700 psi
0.3 and 6 kPa	3 and 60 mbar	2.25 and 45 mmHg
2 and 40 kPa	20 and 400 mbar	15 and 300 mmHg
12.5 and 250 kPa	125 and 2500 mbar	93.8 and 1875 mmHg
150 and 3000 kPa	1.5 and 30 bar	21.7 and 435 mmHg

C	
F	
L	
U	
R	
V	
	C
	F
	L
	U

Diaphragm material

Fill fluid

Hastelloy C276	Silicone oil (Note 2)
Hastelloy C276 gold-plated	Silicone oil (Note 2)
Hastelloy C276	Inert fluid (Notes 1, 2)
Hastelloy C276 gold-plated	Inert fluid (Notes 1, 2)
Hastelloy C276	White oil (FDA) - (Note 2)
Hastelloy C276 gold-plated	White oil (FDA) - (Note 2)
Ceramic	No filling (Note 3)

K	K
G	G
F	F
E	E
Z	Z
1	1
J	J

Process connection material (wetted parts)

Connection

AISI 316 L ss	1/2-14NPT female
AISI 316 L ss	1/2-14NPT male
AISI 316 L ss	DIN EN837-1 G 1/2 B
Hastelloy C276	1/2-14NPT female
Hastelloy C276	1/2-14NPT male
Hastelloy C276	DIN EN837-1 G 1/2 B

B	B
T	T
P	P
E	E
K	K
D	D

Gaskets

Viton (Notes 1, 3)
Perfluoroelastomer (MWP=0.6 MPa) - (Note 3)
Perbunan (Note 3)
None (Note 2)

5	5
6	6
8	8
N	N

Note 1: Suitable for oxygen service

Note 2: Not available with sensor code C, F.

Note 3: Not available with sensor code L, U, R, V.

Hastelloy is a Cabot Corporation trademark

Monel is an International Nickel Co. trademark

Galden is a Montefluos trademark

Halocarbon is a Halocarbon Products Co. trademark

Spare Parts Code List

2600T Series Electronic Transmitters Bottom works assembly for Safety pressure transmitters Mod. B268HS gauge high overload Mod. B268NS absolute high overload

MEASUREMENT

Safety gauge pressure high overload
Safety absolute pressure high overload

Code

B268HS	
	B268NS

SPAN LIMITS

0.65 and 65 kPa	6.5 and 650 mbar	2.6 and 260 inH2O
1.6 and 160 kPa	16 and 1600 mbar	6.4 and 642 inH2O
6 and 600 kPa	0.06 and 6 bar	0.87 and 87 psi
24 and 2400 kPa	0.24 and 24 bar	3.5 and 348 psi
80 and 8000 kPa	0.8 and 80 bar	11.6 and 1160 psi
160 and 16000 kPa	1.6 and 160 bar	23.2 and 2320 psi
1.1 and 65 kPa	11 and 650 mbar	8 and 480 mmHg
2.67 and 160 kPa	26.7 and 1600 mbar	20 and 1200 mmHg
10 and 600 kPa	0.1 and 6 bar	1.45 and 87 psi
40 and 2400 kPa	0.4 and 24 bar	5.8 and 348 psi
134 and 8000 kPa	1.34 and 80 bar	19.4 and 1160 psi
267 and 16000 kPa	2.67 and 160 bar	38.7 and 2320 psi

G	
H	
M	
P	
Q	
S	
	G
	H
	M
	P
	Q
	S

Diaphragm material

Fill fluid

AISI 316 L ss	Silicone oil
Hastelloy C276 (AISI seat)	Silicone oil
Hastelloy C276	Silicone oil
Monel 400	Silicone oil
AISI 316 L ss gold plated	Silicone oil
Tantalum	Silicone oil
AISI 316 L ss	Inert fluid - Galden (Note 1)
Hastelloy C276 (AISI seat)	Inert fluid - Galden (Note 1)
Hastelloy C276	Inert fluid - Galden (Note 1)
Monel 400	Inert fluid - Galden (Note 1)
AISI 316 L ss gold plated	Inert fluid - Galden (Note 1)
Tantalum	Inert fluid - Galden (Note 1)
AISI 316 L ss	Inert fluid - Halocarbon (Note 1)
Hastelloy C276 (AISI seat)	Inert fluid - Halocarbon (Note 1)
Hastelloy C276	Inert fluid - Halocarbon (Note 1)
Monel 400	Inert fluid - Halocarbon (Note 1)
AISI 316 L ss gold plated	Inert fluid - Halocarbon (Note 1)
Tantalum	Inert fluid - Halocarbon (Note 1)

S	S
H	H
K	K
M	
8	
T	
A	A
B	B
F	F
C	
9	
D	
L	L
Q	Q
P	P
4	
I	
5	

Process connection material

Connection

AISI 316 L ss	1/2-14NPT female (Note 2)
AISI 316 L ss	1/2-14NPT male (Note 2)
AISI 316 L ss	DIN EN837-1 G 1/2 B (Note 2)
AISI 316 L ss	Adapter straight (180°) entry (Note 2)
AISI 316 L ss	Adapter angle (90°) entry (Note 2)
Hastelloy C276	1/2-14NPT female (Note 3)
Hastelloy C276	1/2-14NPT male (Note 3)
Hastelloy C276	DIN EN837-1 G 1/2 B (Note 3)
Hastelloy C276	Adapter straight (180°) entry (Note 3)
Hastelloy C276	Adapter angle (90°) entry (Note 3)
Monel 400	1/2-14NPT female (Note 4)
Monel 400	1/2-14NPT male (Note 4)
Monel 400	DIN EN837-1 G 1/2 B (Note 4)

B	B
T	T
P	P
A	A
N	N
E	E
K	K
D	D
F	F
C	C
1	
2	
3	

Drain/vent valve material

None	
AISI 316 L ss	(Note 5)
Hastelloy C276	(Note 6)
Monel 400	(Note 7)

N	N
A	A
B	B
C	

Note 1: Suitable for oxygen service

Note 2: Not available with diaphragm code K, M, T, F, C, D, P, 4, 5

Note 3: Not available with diaphragm code S, H, M, A, B, C, L, Q, 4, 8, 9, I.

Note 4: Not available with diaphragm code S, H, K, T, A, B, F, D, L, Q, P, 5, 8, 9, I.

Note 5: Not available with Process connection code E, K, D, F, C, 1, 2, 3.

Note 6: Not available with Process connection code B, T, P, A, N, 1, 2, 3.

Note 7: Not available with Process connection code E, K, D, F, C, B, T, A, P, N.

Spare Parts Code List

2600T Series Electronic Transmitters Bottom works assembly for pressure transmitters (fast) Mod. B264HF gauge high overload Mod. B264NF absolute high overload

MEASUREMENT

Gauge pressure high overload (fast)
Absolute pressure high overload (fast)

Code

B264HF	
	B264NF

SPAN LIMITS

0.65 and 65 kPa	6.5 and 650 mbar	2.6 and 260 inH2O
1.6 and 160 kPa	16 and 1600 mbar	6.4 and 642 inH2O
1.1 and 65 kPa	11 and 650 mbar	8 and 480 mmHg
2.67 and 160 kPa	26.7 and 1600 mbar	20 and 1200 mmHg

G	
H	
	G
	H

Diaphragm material

Fill fluid

AISI 316 L ss	Silicone oil
Hastelloy C276 (AISI seat)	Silicone oil
Hastelloy C276	Silicone oil
Monel 400	Silicone oil
Tantalum	Silicone oil
AISI 316 L ss	Inert fluid - Galden (Note 1)
Hastelloy C276 (AISI seat)	Inert fluid - Galden (Note 1)
Hastelloy C276	Inert fluid - Galden (Note 1)
Monel 400	Inert fluid - Galden (Note 1)
Tantalum	Inert fluid - Galden (Note 1)
AISI 316 L ss	Inert fluid - Halocarbon (Note 1)
Hastelloy C276 (AISI seat)	Inert fluid - Halocarbon (Note 1)
Hastelloy C276	Inert fluid - Halocarbon (Note 1)
Monel 400	Inert fluid - Halocarbon (Note 1)
Tantalum	Inert fluid - Halocarbon (Note 1)

S	S
H	H
K	K
M	
T	
A	A
B	B
F	F
C	
D	
L	L
Q	Q
P	P
4	
5	

Process connection material

Connection

AISI 316 L ss	1/2-14NPT female (Note 2)
AISI 316 L ss	1/2-14NPT male (Note 2)
AISI 316 L ss	DIN EN837-1 G 1/2 B (Note 2)
AISI 316 L ss	Adapter straight (180°) entry (Note 2)
AISI 316 L ss	Adapter angle (90°) entry (Note 2)
Hastelloy C276	1/2-14NPT female (Note 3)
Hastelloy C276	1/2-14NPT male (Note 3)
Hastelloy C276	DIN EN837-1 G 1/2 B (Note 3)
Hastelloy C276	Adapter straight (180°) entry (Note 3)
Hastelloy C276	Adapter angle (90°) entry (Note 3)
Monel 400	1/2-14NPT female (Note 4)
Monel 400	1/2-14NPT male (Note 4)
Monel 400	DIN EN837-1 G 1/2 B (Note 4)

B	B
T	T
P	P
A	A
N	N
E	E
K	K
D	D
F	F
C	C
1	
2	
3	

Drain/vent valve material

None	
AISI 316 L ss	(Note 5)
Hastelloy C276	(Note 6)
Monel 400	(Note 7)

N	N
A	A
B	B
C	

Note 1: Suitable for oxygen service

Note 2: Not available with diaphragm code K, T, F, D, P, M, C, 4, 5.

Note 3: Not available with diaphragm code S, H, A, B, L, Q, M, C, 4.

Note 4: Not available with diaphragm code S, H, K, T, A, B, F, D, L, Q, P, 5.

Note 5: Not available with Process connection code E, K, D, F, C, 1, 2, 3.

Note 6: Not available with Process connection code B, T, P, A, N, 1, 2, 3.

Note 7: Not available with Process connection code E, K, D, F, C, B, T, A, P, N.

Hastelloy is a Cabot Corporation trademark

Monel is an International Nickel Co. trademark

Galdden is a Montefluos trademark

Halocarbon is a Halocarbon Products Co. trademark



The Company's policy is one of continuous product improvement and the right is reserved to modify the specifications contained herein without notice.
(November 2007)

ABB Ltd

Howard Road, St. Neots
Cambridgeshire, PE19 8EU
UK
Tel: +44(0)1480 475321
Fax: +44(0)1480 217948

ABB Inc.

125 E. County Line Road
Warminster, PA 18974
USA
Tel: +1 215 674 6000
Fax: +1 215 674 7183

ABB SACE spa

Business Unit Instrumentation
Via Statale 113
22016 Lenno (CO) Italy
Tel: +39 0344 58111
Fax: +39 0344 56278