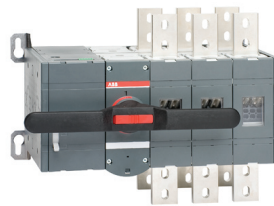


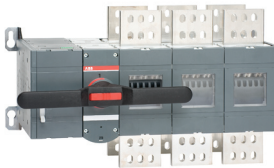
New Motorized change-over switches for 1000...2500 Amperes I-0-II -operation, open transition



OTM1000...1250E_C_



OTM1600E_C_



OTM2000...2500E_C

Ordering information

Including a handle for manual operation, bolt kit with nut and washers for all terminals and male connectors for control circuits.

Motor operator voltage $U_e = 220-240 \text{ V AC}^{1)}$

Number of poles	Rated current ²⁾ AC-21A...AC-22A Up to 415V I[A]	Rated power		Type	Order number	Weight [kg]
		400V S[kVA]	AC-23A Up to 415V I[A] / P[kW]			
3	1000	680	1000/560	OTM1000E3CM230C	1SCA112677R1001	55
4	1000	680	1000/560	OTM1000E4CM230C	1SCA112703R1001	65
3	1250	850	1250/710	OTM1250E3CM230C	1SCA112676R1001	55
4	1250	850	1250/710	OTM1250E4CM230C	1SCA112702R1001	65
3	1600	1000	1250/710	OTM1600E3CM230C	1SCA112678R1001	55
4	1600	1000	1250/710	OTM1600E4CM230C	1SCA112704R1001	65
3	2000	1350		OTM2000E3CM230C	1SCA112709R1001	78
4	2000	1350		OTM2000E4CM230C	1SCA112712R1001	95
3	2500	1700		OTM2500E3CM230C	1SCA112710R1001	78
4	2500	1700		OTM2500E4CM230C	1SCA112713R1001	95

¹⁾ Other voltages on request

²⁾ OTM2000...2500: Category AC-21B

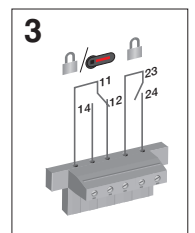
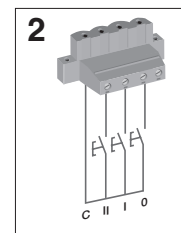
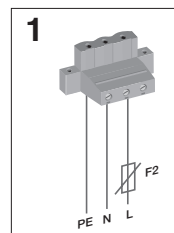
Data for motor operator OTM according to IEC 60947

		Switch size	1000...2500
Rated operational voltage U_e	Pollution degree 3	V AC	220 - 240
Operating voltage range	50/60 Hz		0,85 - 1,1 x U_e
Operating time ¹⁾	90° I - 0, 0 - I, 0 - II, II - 0	s	0.5 - 1.5
Operating transfer time ¹⁾	180° I - 0 - II, II - 0 - I	s	1.5 - 3.0
OFF -time when operating I - II or II - I ¹⁾	180° I - II, II - I	s	0.5 - 1.5
Nominal current I_n ¹⁾		A	1.8
Current Inrush ¹⁾		A	7.7
Overload fuse	Type / I_n /Capacity Size	mA mm	T / 2A / H 5x20
Protection degree			IP20
Operating temperature		°C	-25...+55
Transportation and storage temperature		°C	-40...+70
Max. altitude		m	2000

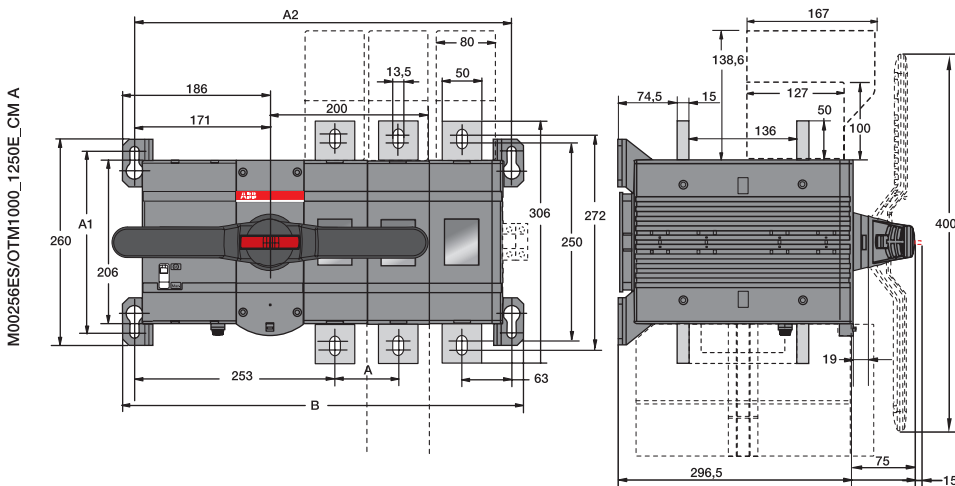
¹⁾ Under nominal conditions

Control circuit connections

1. Terminal for voltage supply of motor operator
2. Terminal for remote control
3. Terminal for handle and locking status

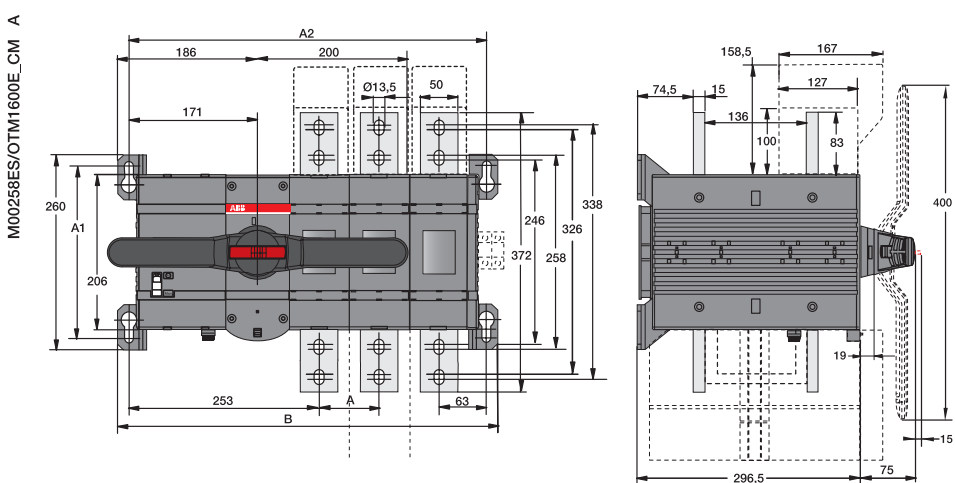


OTM1000...1250E3/4CM



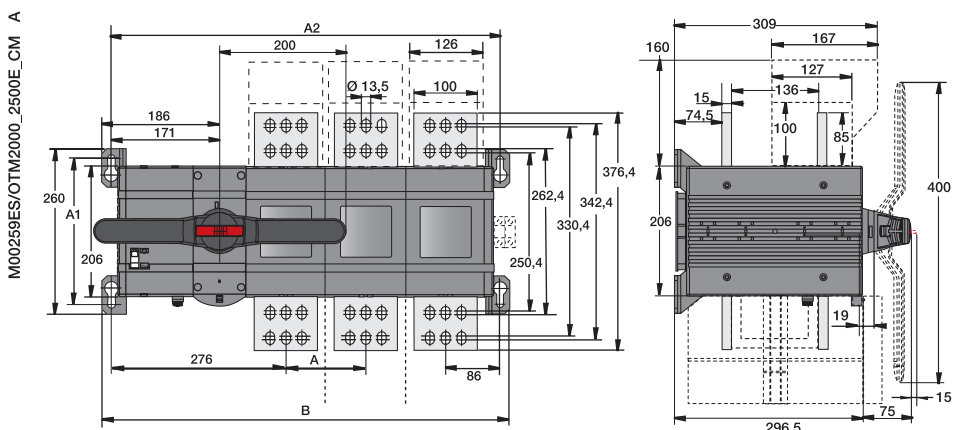
OTM1000-1250E-CM			
	E2	E3	E4
A	80	80	80
A1	230	230	230
A2	396,5	476,5	556,5
B	426,5	506,5	586,5

OTM1600E3/4CM



OTM1600E-CM			
	E2	E3	E4
A	80	80	80
A1	230	230	230
A2	396,6	476,5	556,5
B	426,5	506,5	586,5

OTM2000...2500E3/4CM



OTM2000-2500E-CM			
	E2	E3	E4
A	126	126	126
A1	230	230	230
A2	488,5	614,5	740,5
B	518,5	644,5	770,5

For more information please contact:

ABB Oy

Low Voltage Products

P.O. Box 622

FI-65101 VAASA, Finland

Phone: +358 10 22 11

Fax: +358 10 22 45 708

E-Mail: firstname.surname@fi.abb.com

www.abb.com

Power and productivity
for a better world™

