

ABB Softstarters

The comprehensive range

PS S 18/30...PS S 300/515



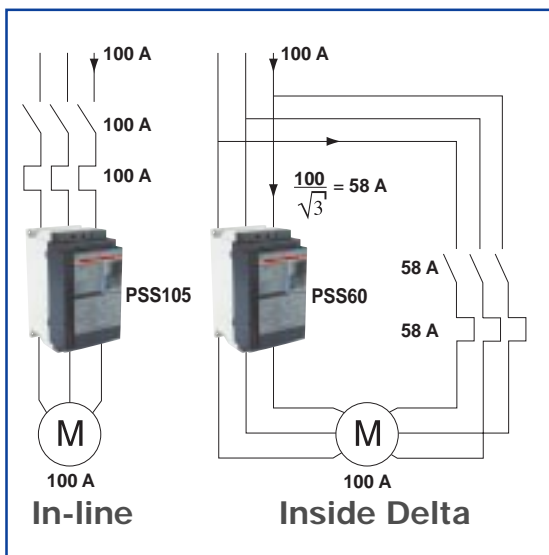
- Easy installation and adjustment
- Flexible solution
- Reliable product
- Fully solid state solution

The softstarter PS S 18/30...PS S 300/515 is a very compact solution suitable for most applications and for replacement of Y/D-starters.

The unit is very easy to install and adjust. All access for connections and adjustments is from the front of the unit. Clear indication on the front gives easy understanding of status and fault.

Local modification of the softstarter to include the optional current limit function is possible, even after installation. The ABB softstarter is designed for continuous operation without the need of bypass. The unit has built-in signal relays for bypass and fault.

A protective cover in front of the unit can be sealed to protect the settings of the unit from unintentional interference after installation. Use of rotating switches instead of potentiometers give exact and accurate settings, even for applications with vibration or high ambient temperatures.



These units can be used both for 'In-line' or 'Inside delta' configuration. The latter gives a compact and flexible alternative to Y/D-starters. The 'Inside delta' configuration reduces costs because the 'Inside delta' current is only 58% of the motor rated current.



A typical "Inside Delta" combination as a replacement for a Y/D-starter

Features:

- Voltage range 208 – 690V AC
- Control voltage 110 – 120V AC and 220 – 240V AC
- Current ratings 18...300A (In Line) and 30...515A (Inside Delta), same unit can be used for both.
- Start ramp, Stop ramp and Initial voltage included
- Current limit function as option
- Designed for continuous operation without bypass

The ABB logo, consisting of the letters 'ABB' in a bold, red, sans-serif font.

PS S 03...25



- Easy installation and adjustment
- DIN-rail mounting
- Small and compact

The softstarter PS S 03...PS S 25 is a compact solution for small motors.

It is easy to install and adjust as all access for connections and adjustments is from the front.

The unit is for DIN-rail mounting.

Features:

- Voltage range 220 – 600V AC
- Control voltage 24 – 110V AC/DC and 110 – 480V AC
- Current ratings 3, 12 and 25A
- Start ramp, Stop ramp and Initial voltage included
- For mounting on 35mm DIN-rail
- Built in bypass contact

PS D 75...840 and PS DH 30...720



- Robust design
- Easy to install with complete settings
- Special version for heavy duty starts

The softstarters PS D 75...PS D 840 and PS DH 30...PS DH 720 has a robust design for many types of applications, both normal duty and heavy duty.

Installation and adjustment is easy to do, due to access of terminals from front, flexible parameter settings and clear indication of status and fault.

An optional advanced electronic overload relay is available.

Features:

- Voltage range 220 – 690V AC
- Control voltage 110 – 127V AC and 220 – 240V AC
- Current ratings 75...840A (Normal duty) and 30...720A (Heavy duty)
- Start ramp, Stop ramp, Initial voltage, Voltage step-down for stop, Current Limit, Kick start and Over current trip included
- Optional advanced electronic overload relay
- Special version for Heavy duty applications

