

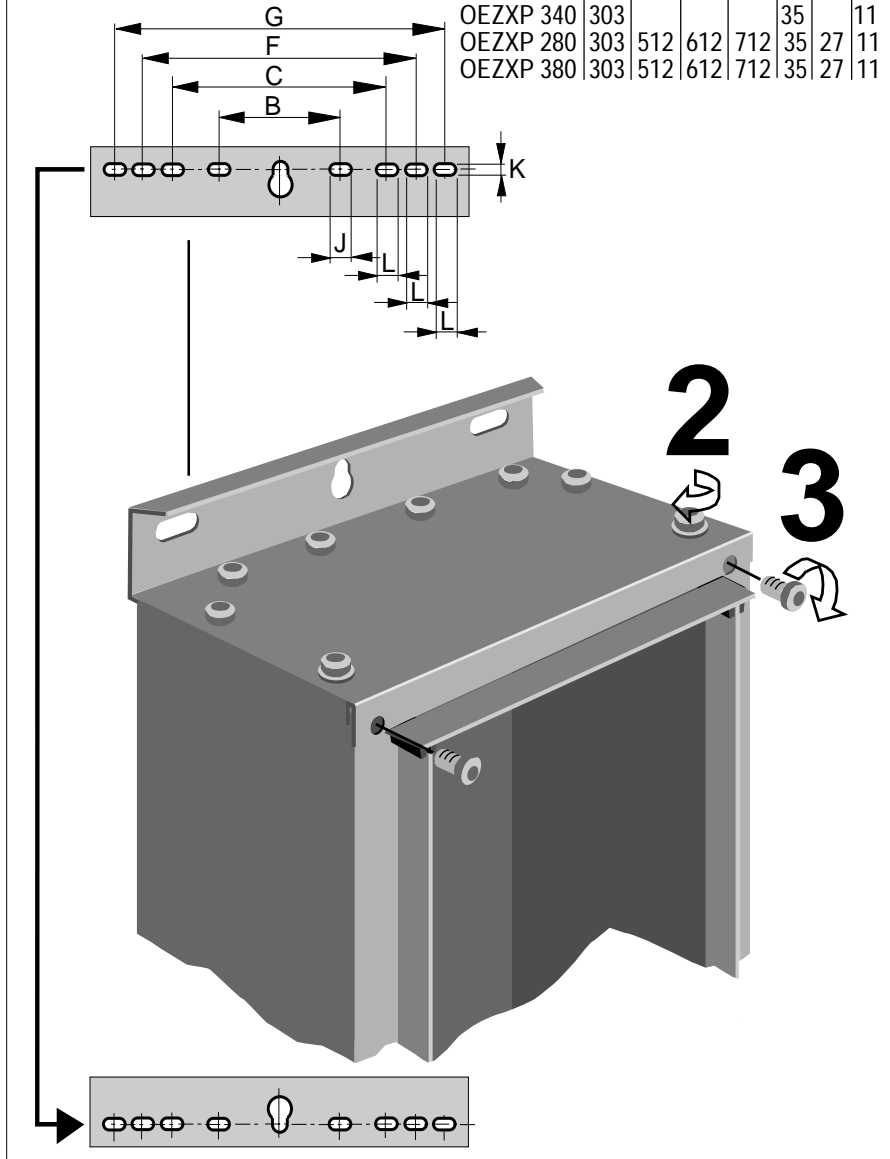
# SafeLine

# OEZXP 120...380

VL 2228 3006

Document no. 34 OEZXP 1 E

	B	C	F	G	J	L	K
OEZXP 120	162				27		11
OEZXP 240	303				35		11
OEZXP 340	303				35		11
OEZXP 280	303	512	612	712	35	27	11
OEZXP 380	303	512	612	712	35	27	11



OEZXP 120  
 OEZXP 240  
 OEZXP 340  
 OEZXP 280  
 OEZXP 380

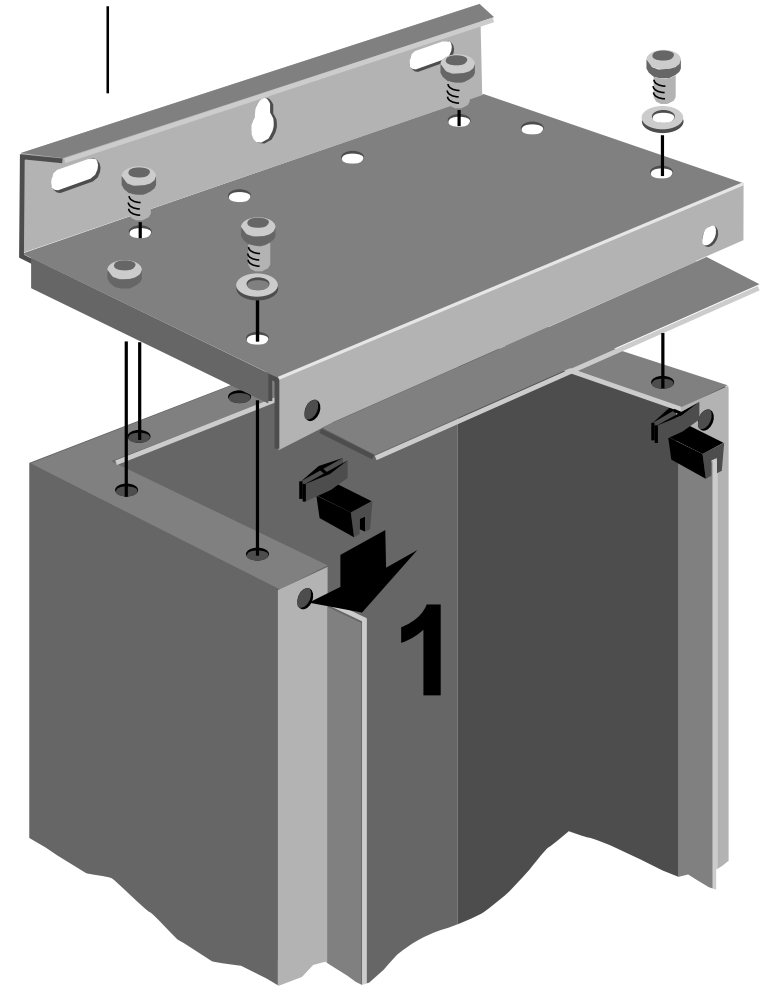


ABB Control Oy

Low Voltage Systems  
 P.O. Box 600  
 FIN-65101 Vaasa Telephone +358 10 224 000  
 Finland Telefax +358 10 224 3322

Teki: 97-09-02 R Laitalainen  
 Prepared:

Tarkasti:  
 Checked:

Hyväksyi:  
 Approved: