

- 2-wire transmitter with integrated power supply
- Output signal 0...20 mA or 4...20 mA
- Power supply: 24 V or 230 V
- HART® communication at the transmitter is also possible



The four-wire add-on unit for pressure transmitter of the series 265xx / 267xx / 269xx provides a power supply device that is built right onto the transmitter. This unit is equipped with a separator between power supply and output signal. This construction enables using the two-wire transmitter as a four-wire transmitter with the option of either 24 V or 230 V power supplies. Output signal can be selected: 0...20 mA or 4...20 mA. HART communication direct to the transmitter is possible. The add-on unit is mounted to the transmitter at the factory.

Technical data

Input

4...20 mA

Supply voltage

min. 14V at 20 mA

Output

0(4)...20 mA (selectable)

Characteristic

increasing, linear

Current limitation

approx. 25 mA

Maximum load

750 W

Ripple

max. 1 % v. input at max. load

Power supply

AC 230V (+6 % / -10 %):
 47 ... 63 Hz;
 max. power consumption: ≤ 6 VA
 DC 24 V (18 ... 32 V):
 Allowable ripple is 2.5 Vpp within
 above-mentioned limits;
 max. power consumption: ≤ 3 W

Deviation from characteristics

max. 0.15 % v. input

Time constant t90

max. 30 ms

Influence due to

Ambient temperature	≤ 0.1% / 10K
Load	≤ 0.1%
	when changing from 0 % to 100 %
Power supply	≤ 0.1% during a 10% change

Galvanic separation between

power supply and input
 power supply and output

Insulation voltage according to DIN EN 61 010

AC 250 V

Pollution degree

2

Overvoltage category

II.

Test voltage

UC: 1.5 kV
 AC: 2.3 kV

EMC tested according to

DIN EN 61 326

Ambient conditions

Operating temperature	-20 °C - +80 °C
Storage temperature	-50 °C - +85 °C
Condensation	allowed

Housing

Protection class	(DIN40040) IP54
Material	Cast aluminium, epoxy resin coat
Dimensions H x W x D:	125 x 80 x 60 mm

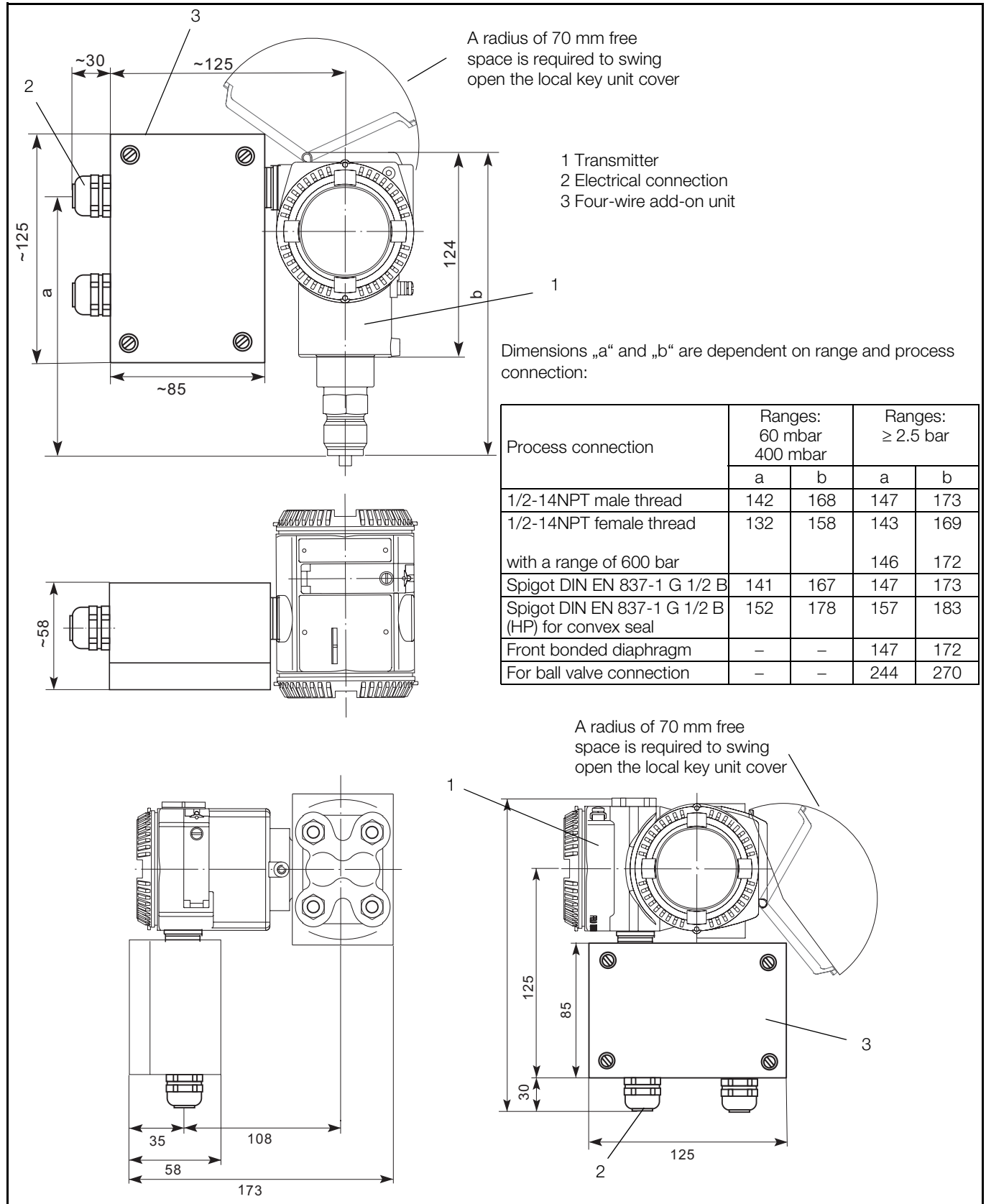
Weight

approx. 0.7 kg

Colour

RAL 7032,
 Smooth surface

Dimensional drawings



Ordering Information

The following catalog numbers are appended to the catalog number of each respective transmitter. The transmitter 265xx / 267xx / 269xx fitted with the four-wire add-on unit must use the DIN housing with electr. connection M 20x1.5 (amplifier housing ordering code J). The transmitter 265Gx / Ax must use the barrel type housing with electr. connection M 20x1.5 (amplifier housing ordering code B)	Ordering number			Code		
Amplifier housing accessories						
Power supply / output signal						
DC 24 V / 0...20 mA	A4					
DC 24 V / 4...20 mA	A6					
AC 230 V / 0...20 mA	A5					
AC 230 V / 4...20 mA	A7					
Electrical connection of the add-on unit						
Threaded cable gland M 20 x 1.5						
Plug Han 8U (only with DC 24 V power supply) ¹⁾	U3					
Plug Han 7D (only with DC 24 V power supply) ¹⁾	U5					

¹⁾ Ordering code U3 or U5 requires the ordering option "plug" for the transmitter electronic housing.

ABB has Sales & Customer Support expertise in over 100 countries worldwide.

www.abb.com/instrumentation

The Company's policy is one of continuous product improvement and the right is reserved to modify the information contained herein without notice.

Printed in the Fed. Rep. of Germany (10.04)

© ABB 2004



ABB Ltd.

Howard Road, St. Neots
Cambridgeshire, PE19 8EU
UK
Tel. +44 (0)1480 475321
Fax. +44 (0)1480 217948
<http://www.abb.com/pressure>

ABB Inc.

125 E. County Line Road
Warminster, PA 18974
USA
Tel. +1 215 674 6000
Fax +1 215 674 7183
<http://www.abb.com/pressure>

ABB Automation Products GmbH

Schillerstraße 72
D - 32425 Minden
DEUTSCHLAND
Tel. +49 551 905-534
Fax +49 551 905-555
<http://www.abb.de/druck>