

10/10-3.92 EN



■ Temperature sensors are mainly purchased as complete units.

Individual purchase of components may be useful if:

- the parts delivered by plant builders are divided into instrumentation and mechanical components
- companies assemble temperature sensors themselves for stock-keeping reasons in order always to be able to assemble the design required

The present data sheet contains the components connection head, terminal block, process connections, protection tubes, inner tubes and insulated thermocouples from which, together with

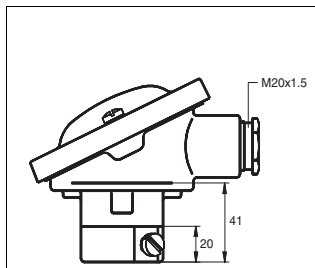
- head-mounted transmitters from Data Sheets 11-8.11 EN to 11-8.20 EN

complete temperature sensors can be assembled, for example

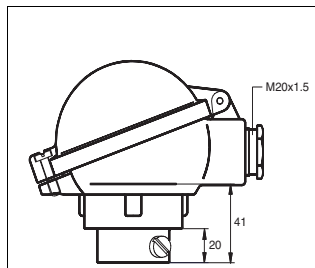
- straight thermocouples with ceramic insulated base-metal thermocouples and metal protection tubes in accordance with Data Sheet 10-3.58 EN
- straight thermocouples with ceramic insulated precious-metal thermocouples and ceramic protection tubes in accordance with Data Sheet 10-3.59 EN.

Connection heads

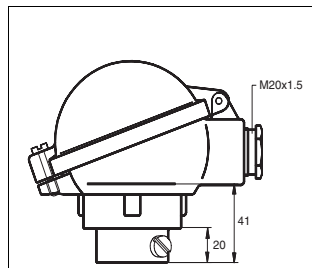
Type **A** Aluminium



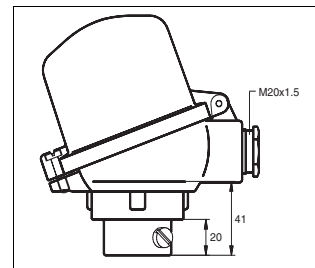
Type **AUZ** Aluminium



Type **AUG** Grey cast iron

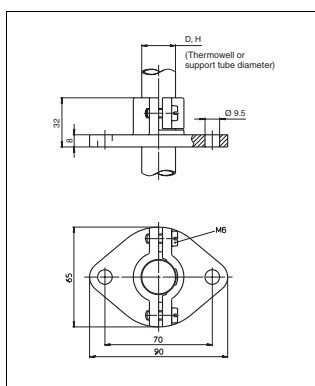


Type **AUZH** Aluminium
for installation of transmitter

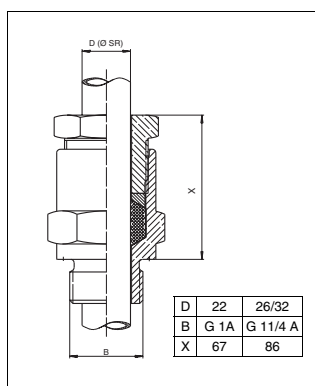


Process connection

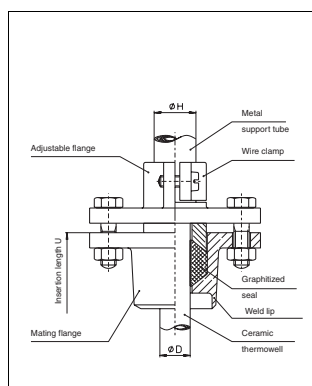
Adjustable flange



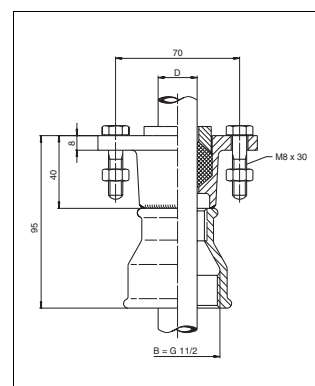
Threaded bushing



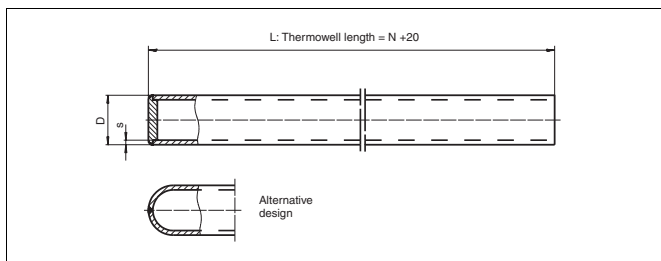
Mating flange
for welding on



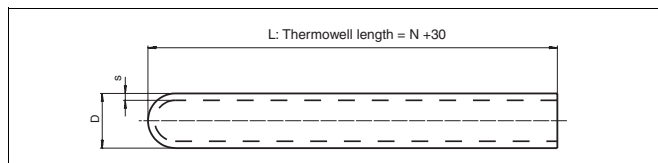
Mating flange for screwing on
with G1 1/2" bushing



Metal protection tubes

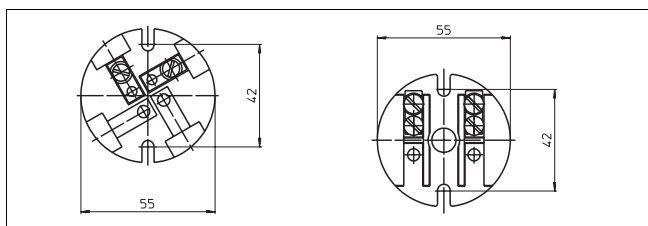


Ceramic protection tubes / inner tubes



Terminal block

for connection head types A, AUZ, AUG and AUZH
for base-metal thermocouple precious-metal thermocouple

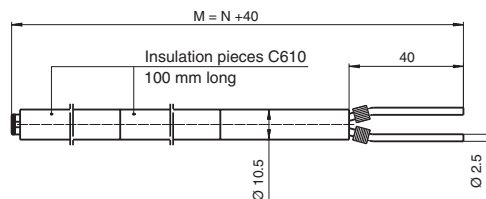


Captions:
N = Nominal length
D = Protection tube diameter
H = Support tube diameter

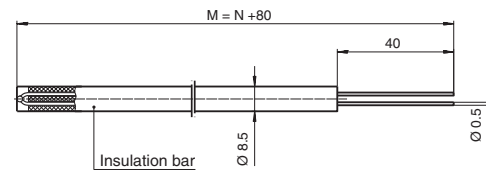
B = Thread size
M = Thermocouple length
L = Protection tube length
S = Wall thickness

Insulated thermocouples

Base-metal thermocouple



Precious-metal thermocouple



Ex stock versions		Other versions on request				
				Catalog No.		
Connection heads						
Material: aluminium, cable entry M 20 x 1.5, painted, degree of protection IP 54						
Type A	Tube connection Ø = 22 mm			226879		
Type A	Tube connection Ø = 26 mm			226880		
Type A	Tube connection Ø = 32 mm			226881		
Type AUZ	Tube connection Ø = 22 mm			237801		
Type AUZ	Tube connection Ø = 26 mm			225517		
Type AUZ	Tube connection Ø = 32 mm			237802		
Type AUG	Tube connection Ø = 22 mm			226270		
Type AUG	Tube connection Ø = 32 mm			226271		
Type AUZH	Tube connection Ø = 22 mm			237092		
Type AUZH	Tube connection Ø = 32 mm			237093		
Process connections						
Adjustable flange						
Material 1.0402 (AISI (M) 1020)		for pipe Ø 22 mm		220979		
Material 1.0402 (AISI (M) 1020)		for pipe Ø 26 mm		220980		
Material 1.0402 (AISI (M) 1020)		for pipe Ø 32 mm		220981		
Adjustable threaded bushing						
G 1"	Material: 1.0718 (AISI 12L13)		for pipe Ø 22 mm	242486		
G 1¼"	Material: 1.0718 (AISI 12L13)		for pipe Ø 26 mm	238100		
G 1½"	Material: 1.0718 (AISI 12L13)		for pipe Ø 32 mm	220490		
Mating flange for welding on						
Material 1.0402 (AISI (M) 1020)		for pipe Ø 22 mm		220494		
Material 1.0402 (AISI (M) 1020)		for pipe Ø 24 mm		238088		
Material 1.0402 (AISI (M) 1020)		for pipe Ø 26 mm		238089		
Flange for screwing on with G 1½" bushing						
Material 1.0402 (AISI (M) 1020)		for pipe Ø 22 mm		238097		
Material 1.0402 (AISI (M) 1020)		for pipe Ø 24 mm		238098		
Material 1.0402 (AISI (M) 1020)		for pipe Ø 32 mm		238099		
Metal protection tubes (closed on one side)						
Protection tube length L = nominal length N + 20 mm						
Material 1.4762 (AISI 446)	Ø = 22 x 2 mm	nominal length N = 500 mm		220319		
Material 1.4762 (AISI 446)	Ø = 22 x 2 mm	nominal length N = 710 mm		220320		
Material 1.4762 (AISI 446)	Ø = 22 x 2 mm	nominal length N = 1000 mm		220321		
Material 1.4762 (AISI 446)	Ø = 22 x 2 mm	nominal length N = 1400 mm		220322		
Material 1.4841 (AISI 314)	Ø = 22 x 2 mm	nominal length N = 500 mm		220324		
Material 1.4841 (AISI 314)	Ø = 22 x 2 mm	nominal length N = 710 mm		220325		
Material 1.4841 (AISI 314)	Ø = 22 x 2 mm	nominal length N = 1000 mm		220326		
Material 1.4841 (AISI 314)	Ø = 22 x 2 mm	nominal length N = 1400 mm		220327		
Material 1.4749 (AISI 446)	Ø = 26 x 4 mm	nominal length N = 500 mm		220329		
Material 1.4749 (AISI 446)	Ø = 26 x 4 mm	nominal length N = 710 mm		220330		
Material 1.4749 (AISI 446)	Ø = 26 x 4 mm	nominal length N = 1000 mm		220331		
Material 1.4749 (AISI 446)	Ø = 26 x 4 mm	nominal length N = 1400 mm		223941		

Ex stock versions	Other versions on request		
			Catalog No.
Ceramic protection tubes / inner tubes (closed on one side)			
Protection tube length L = nominal length N + 30 mm			
Material C530	Ø = 26 x 4 mm	nominal length N = 500 mm	220709
Material C530	Ø = 26 x 4 mm	nominal length N = 710 mm	220710
Material C530	Ø = 26 x 4 mm	nominal length N = 1000 mm	220711
Material C530	Ø = 26 x 4 mm	nominal length N = 1400 mm	220712
Material C610	Ø = 16 x 2 mm	nominal length N = 500 mm	220713
Material C610	Ø = 16 x 2 mm	nominal length N = 710 mm	220714
Material C610	Ø = 16 x 2 mm	nominal length N = 1000 mm	220715
Material C610	Ø = 16 x 2 mm	nominal length N = 1400 mm	220716
Material C610	Ø = 24 x 2.5 mm	nominal length N = 500 mm	220705
Material C610	Ø = 24 x 2.5 mm	nominal length N = 710 mm	220706
Material C610	Ø = 24 x 2.5 mm	nominal length N = 1000 mm	220707
Material C610	Ø = 24 x 2.5 mm	nominal length N = 1400 mm	220708
Material C799	Ø = 15 x 2.5 mm	nominal length N = 500 mm	221873
Material C799	Ø = 15 x 2.5 mm	nominal length N = 710 mm	220695
Material C799	Ø = 15 x 2.5 mm	nominal length N = 1000 mm	220696
Material C799	Ø = 15 x 2.5 mm	nominal length N = 1400 mm	220697
Material C799	Ø = 24 x 3 mm	nominal length N = 500 mm	220701
Material C799	Ø = 24 x 3 mm	nominal length N = 710 mm	220702
Material C799	Ø = 24 x 3 mm	nominal length N = 1000 mm	220703
Material C799	Ø = 24 x 3 mm	nominal length N = 1400 mm	220704
Terminal blocks			
Block for 1 base-metal thermocouple			226884
Block for 2 base-metal thermocouples			226885
Block for 1 precious-metal thermocouple			226886
Block for 2 precious-metal thermocouples			226887
Insulated base-metal thermocouples			
Thermocouple length M = nominal length N + 40 mm			
2.5 mm wire diameter, insulation pieces C610, Ø = 10.5 mm, 100 mm long			
Thermocouple 1 x type K (NiCr-Ni), EN 60584, class 2			
		nominal length N = 500 mm	220238
		nominal length N = 710 mm	220239
		nominal length N = 1000 mm	220240
		nominal length N = 1400 mm	220241
Thermocouple 2 x type K (NiCr-Ni), EN 60584, class 2			
		nominal length N = 500 mm	220229
		nominal length N = 710 mm	220230
		nominal length N = 1000 mm	220231
		nominal length N = 1400 mm	220232

Ex stock versions	Other versions on request		
	Catalog No.		
Insulated precious-metal thermocouples			
Thermocouple length M = nominal length N + 80 mm			
0.5 mm wire diameter, insulation pieces C799, Ø = 8.5 mm, continuous			
Thermocouple 1 x type S (Pt10Rh-Pt), EN 60584, class 2			
nominal length N = 500 mm	V10530-221N2		
nominal length N = 710 mm	V10530-321N2		
nominal length N = 1000 mm	V10530-421N2		
nominal length N = 1400 mm	V10530-521N2		
Thermocouple 2 x type S (Pt10Rh-Pt), EN 60584, class 2			
nominal length N = 500 mm	V10530-221U2		
nominal length N = 710 mm	V10530-321U2		
nominal length N = 1000 mm	V10530-421U2		
nominal length N = 1400 mm	V10530-521U2		
Thermocouple 1 x type B (Pt30Rh-Pt6Rh), EN 60584, class 3			
nominal length N = 500 mm	V10530-221S3		
nominal length N = 710 mm	V10530-321S3		
nominal length N = 1000 mm	V10530-421S3		
nominal length N = 1400 mm	V10530-521S3		



ABB Ltd.

Salterbeck Trading Estate
Workington, Cumbria
CA14 5DS
UK

Tel: +44 (0)1946 830 611
Fax: +44 (0)1946 832 661

ABB Inc.

125 E. County Line Road
Warminster, PA 18974
USA

Tel: +1 215 674 6000
Fax: +1 215 674 7183

ABB Automation Products GmbH

Borsigstr. 2
63755 Alzenau
Germany

Tel: +49 551 905-534
Fax: +49 551 905-555

Subject to technical changes.
Printed in the Fed. Rep. of Germany
10/10-3.92 EN 05.04