

Electromagnetic flowmeter FXL5000 (Miniflow)

The alternative with measurable advantages



- Smaller, lighter and lower in cost
- Broad range of applications
- Easy to install
- Simple to operate

ABB Instrumentation

ABB

FXL5000 (Miniflow) – electromagnetic flowmeter technology at a small price

FXL5000 (Miniflow) is the electromagnetic flowmeter alternative to other metering methods in the size range from 3/8" to 2"/DN 10 to 50. Due to its low cost it is no longer necessary to deny oneself of the benefits of an electromagnetic flowmeter.

Not only cost advantages!

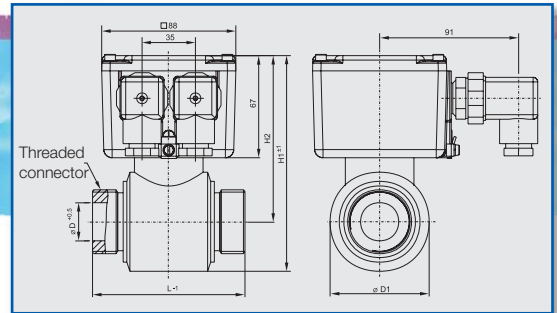
The FXL5000 can be easily and quickly installed in your piping system using its threaded connectors. The wide variety of available connection adapters expands the possibilities for installing the meter in any type of pipe. The flowmeter always fits. There are no moving parts in it and it is totally maintenance free. In addition, the device introduces no additional pressure drop in the system. The complete instrument is very compact, is light weight and can be installed directly in the pipeline without requiring mounting brackets. The supply power and the signal leads are simply plugged in. This reduces the installation time to a minimum and start-up can take place in a few minutes.

Application spectrum

The flowmeter is suitable for very many fluids because of the corrosion resistant materials used for the meter tube liner in combination with Hastelloy C electrodes. The FXL5000 can be used as a flow limit alarm transmitter or as a pump protection monitor. The alarm limits can be set in the instrument so that no additional equipment is required in the system. Here also the FXL5000 demonstrates its well thought out design. Whether drinking water preparation facilities, injection stations, waste water treatment facilities or for metering process water in the pharmaceutical and chemical industries – FXL5000 is a real alternative to other flow metering

Specifications

Meter size	3/8"-2" / DN 10-50
Pressure rating	PN 10
Liner	PEEK; PVDF
Max. fluid temp.	110 °C
Supply power	24 V AC/DC
Signal outputs	0/4...20 mA Pulse output, System alarm
Accuracy	3 % of rate, 1,5 % v.M. (Option)



Operation made easy

The FXL5000 is operated from the foil keypad with operator guiding clear text display messages. The flowrate values can be read locally on the two line DOT-Matrix display. The flow is separately integrated internally for both flow directions. The instantaneous flowrate value is displayed in the 1st line and the totalized flow in the 2nd. Of course a design version without a display is also available. This version is configured utilizing DIP-switches.

Meter size			Dimensions				Weight		
DN=	Inch	PN	Connector ISO 228	Connector with adapter ISO 228 (option)	L	D1	H1	H2	kg
10	3/8	10	G 3/4"	G 3/4" (no adapter)	85	53	127	100	0.8
15	1/2	10	G 3/4"	G 1"	85	53	127	100	0.85
25	1	10	G 1 1/4"	G 1 1/2"	100	64	142	109	0.9
50	2	10	G 2 1/2"	G 2 3/4"	130	92	171	125	1.4



www.abb.com/instrumentation

Germany

ABB Automation
Products GmbH
Borsigstr. 2
63755 Alzenau
Tel: +49 551 905 534
Fax: +49 551 905 555

UK

ABB Limited
Oldends Lane
Stonehouse
Gloucestershire GL10 3TA
Tel: +44 1453 826 661
Fax: +44 1453 829 671

Italy

ABB Sace S.p.A.
Via Statale 113
22016 Lenno (CO)
Tel: +39 0344 58111
Fax: +39 0344 56278

USA

ABB Inc
Automation Technology
Products
125 E. County Line Rd
Warminster PA 18974-4995
Tel: +1 215 674 6000
Fax: +1 215 674 7183

China

ABB (China) Ltd.
35th floor, Raffles City
(Office Tower)
268 Xizang Zhong Lu
Shanghai, 200001
Tel: +86 (0) 21 6122 8888
Fax: +86 (0) 21 6122 8892