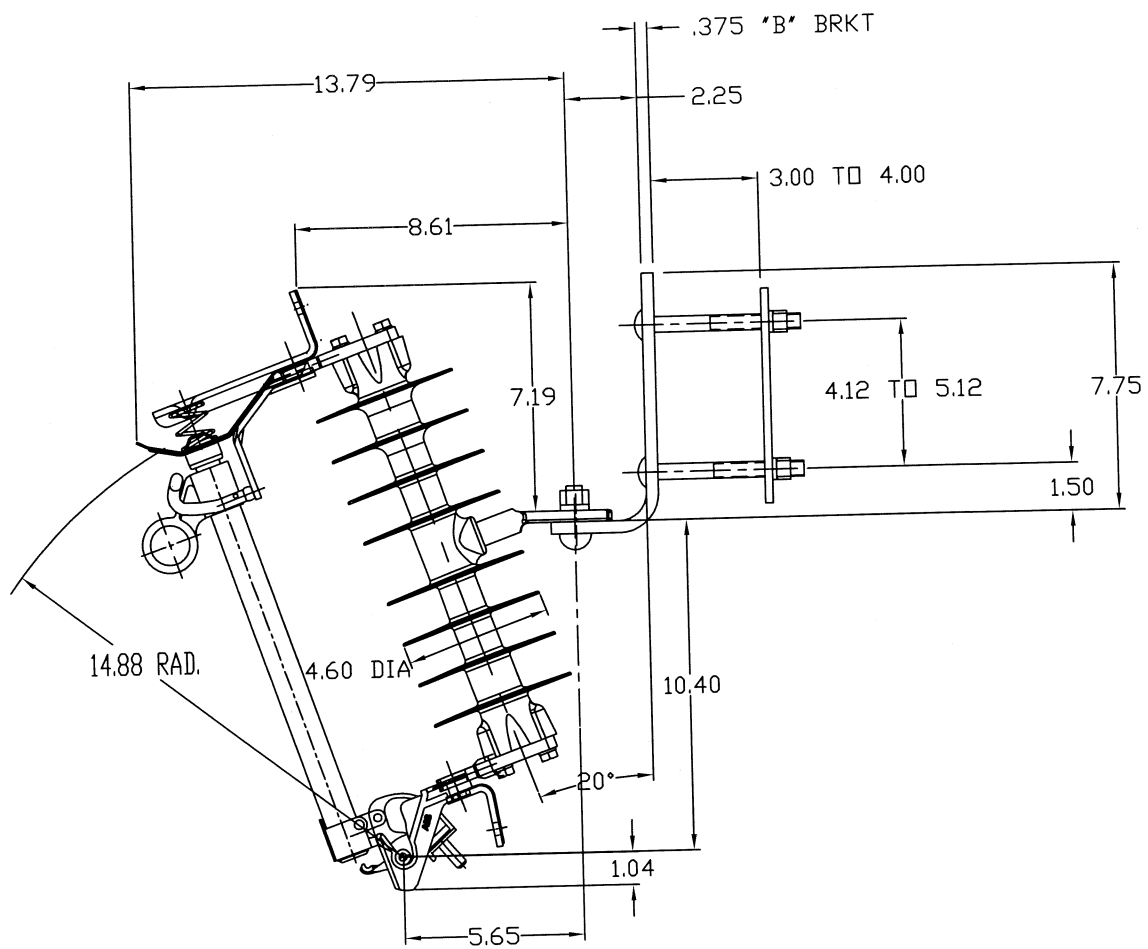


SHEET	1
	IT
DWG. NO. 10012A54	SD 06-2200
	D-SPEC 900101
REVISION	



ICX 27KV, 125KV BIL, SILICONE INSULATOR, 18.9" (480mm) CREEP WEIGHT = 9.3 LBS CUTOUT ONLY, W/NEMA "B" BRACKET = 12.1LBS

SM	✓	BIF	1	2	3	4	DFTM	F. BROWN	DATE	1-20-04
BO		PP	P-I	S	5	6	7	8	DFTM	
TOOL REF DWG					9	10	11	ENGR	F. BROWN	1-20-04
ENG REF DWG		3A32333						ME		
								IE		
								QC		

**ABB** ABB Inc. GREENSBORO, NC USA

TITLE ICX 27KV-125KV BIL SILICONE CUTOUT OUTLINE -OUTLINE-

DIMENSIONS IN MM

SIZE	FSCM NO.	DWG. NO.
A		10012A54

SCALE .188 CAD/HDR LOADED SHEET