

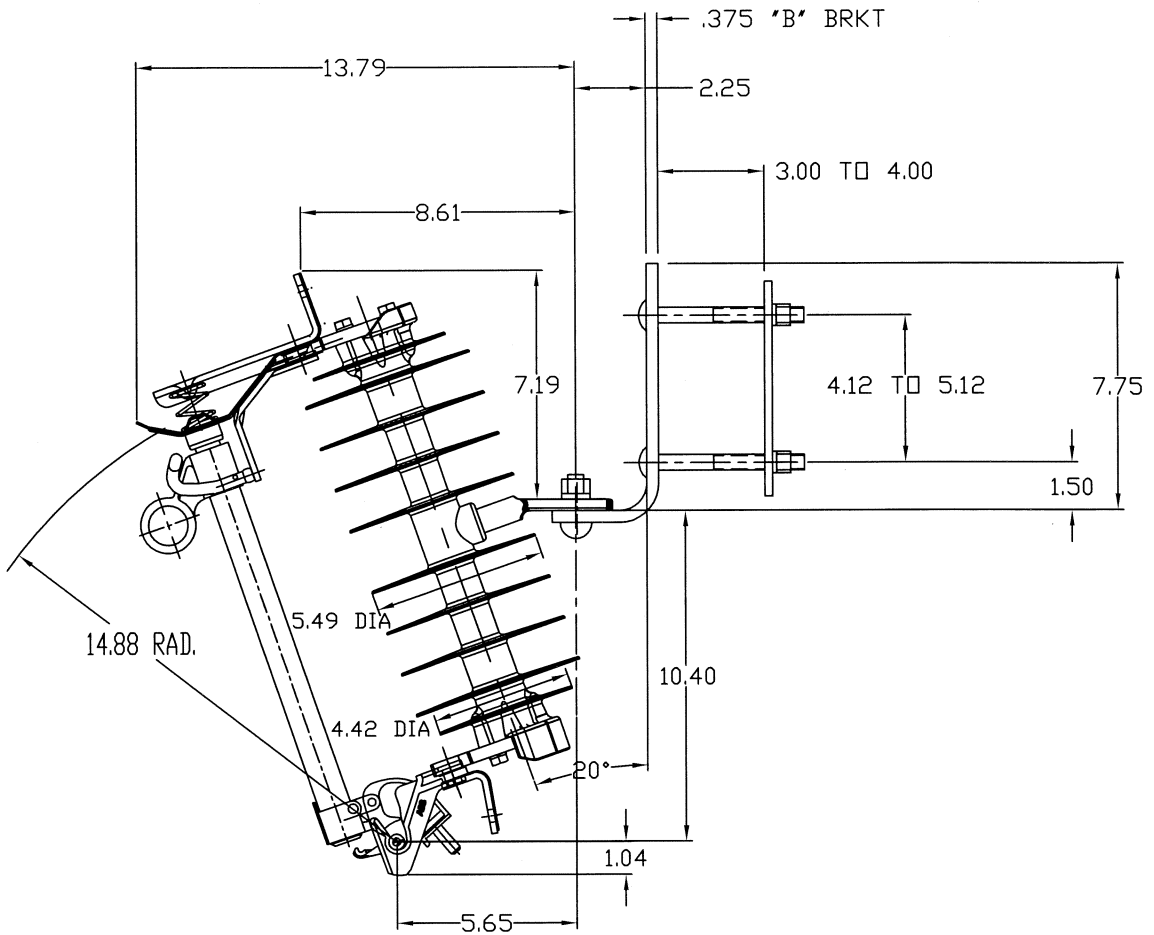
DWG. NO. 10012A56

SHEET


1

SD 06-2200
D-SPEC 900101

IT REVISION



ICX 27KV & 38KV, 150KV BIL, SILICONE INSULATOR, 23.6" (600mm) CREEP WEIGHT = 9.4 LBS CUTOUT ONLY, W/NEMA "B" BRACKET = 12.2LBS

SM	✓	31F	1	2	3	4	DFTM	F. BROWN	DATE	1-21-04	 ABB Inc. GREENSBORO, NC USA			
BO		PP P-I S	5	6	7	8	DFTM							
TOOL REF DWG			9	10	11		ENGR	F. BROWN	DATE	1-21-04	TITLE			
ENGR REF DWG		3A32333					ME				ICX 27KV & 38KV-150KV BIL SILICONE CUTOUT OUTLINE -OUTLINE-			
							IE				DIMENSIONS IN MM			
							QC				SIZE	FSCM NO.	DWG. NO.	
											A		10012A56	
											SCALE	.188	CAD/HDR LOADED	SHEET