

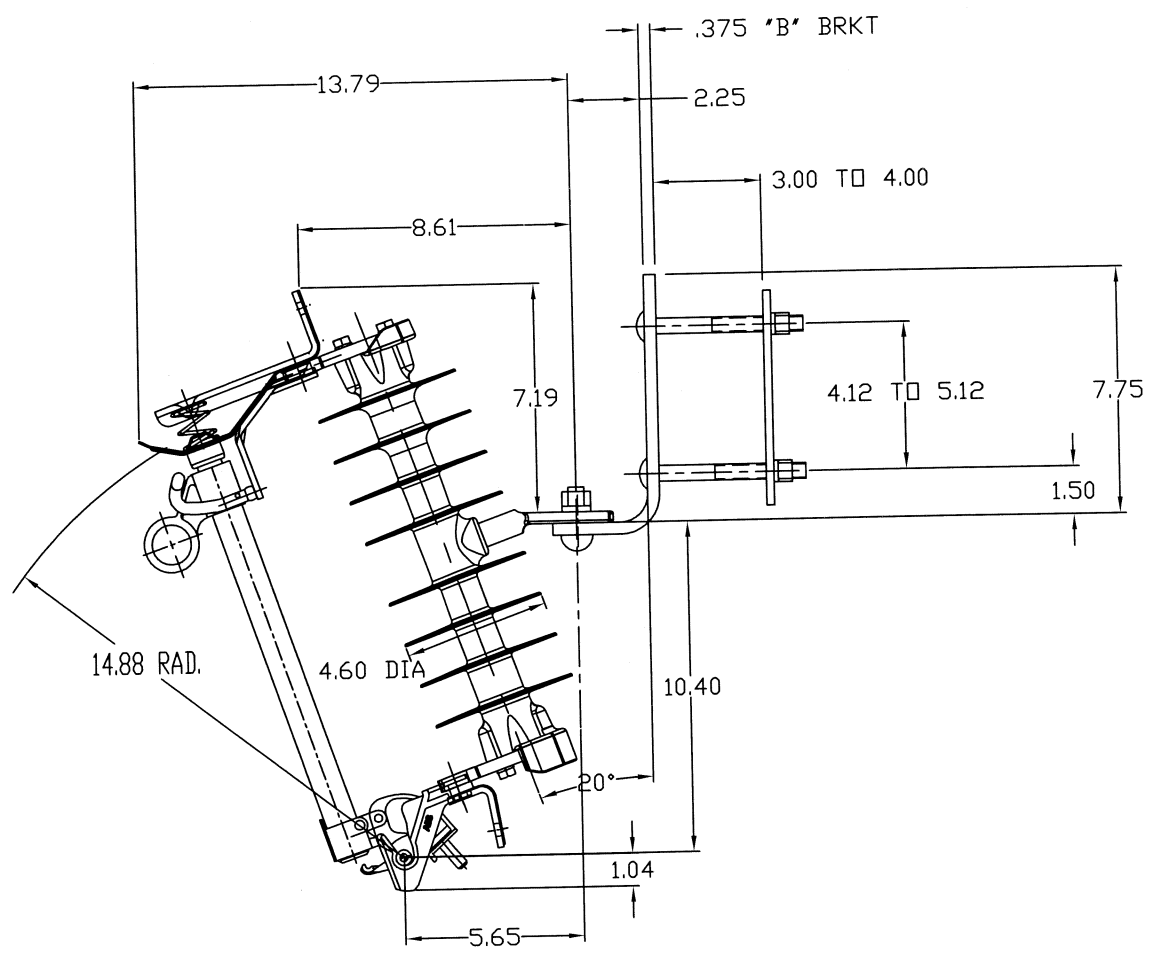
SHEET  
1

SD 06-2200  
D-SPEC 900101


REVISION

IT

DWG. NO. 10012A55



ICX 27KV & 38KV, 150KV BIL, SILICONE INSULATOR, 18.9" (480mm) CREEP WEIGHT = 9.3 LBS CUTOUT ONLY, W/NEMA "B" BRACKET = 12.1LBS

SM	<input checked="" type="checkbox"/>	BIF	1	2	3	4	DFTM	F. BROWN	DATE	1-20-04	 ABB Inc. GREENSBORO, NC USA	
BO	<input type="checkbox"/>	PP P-I S	5	6	7	8	DFTM					
TOOL REF DWG			9	10	11		ENGR	F. BROWN	DATE	1-20-04	TITLE	ICX 27KV & 38KV-150KV BIL SILICONE CUTOUT OUTLINE -OUTLINE-
ENG REF DWG		3A32333					ME				DIMENSIONS IN MM	
							IE				SIZE	A
							QC				FSCM NO.	
											DWG. NO.	10012A55
											SCALE	.188 CAD/HDR LOADED SHEET