

Chaser (Flasher) SC3/SC4 Series Timing Module



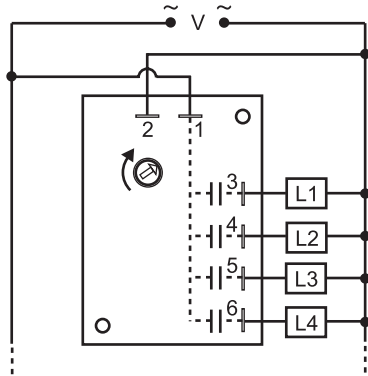
- Sequential 3 or 4 Circuit Flashing of Incandescent Loads
- Fixed or Adjustable Flash Rates - 30 ... 300 per m
- 1 A Steady State Output
- 24, 120, or 230 V AC Input Voltage
- Totally Solid State and Encapsulated

Approvals:

Description

The SC3/SC4 Series are solid state 3 or 4 channel chasers designed for sequential three or four circuit flashing of incandescent lamp loads. Unlike electromechanical chasers, there are no contacts to arc, wear, and eventually fail. Fixed or adjustable rates of 30 to 300 operations per minute.

Connection



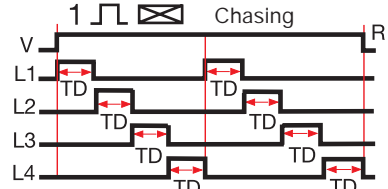
SC4 shown; for SC3, terminal 6 & load L4 are eliminated.
Dashed lines are internal connections.

Operation

Sequential 3 or 4 circuit flashing of incandescent loads with equal time delays for each load. Upon application of input voltage, Load 1 is energized. At the end of the time delay, Load 1 de-energizes and Load 2 energizes. At the end of the time delay, Load 2 de-energizes and Load 3 energizes. This cycle continues until input voltage is removed.

Reset: Removing input voltage resets the unit and cycle.

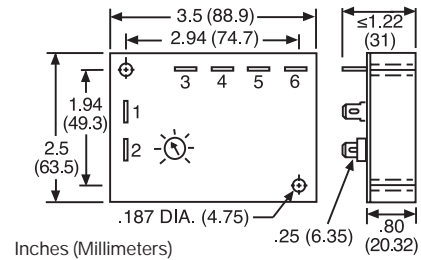
Function



SC4 shown; SC3, L4 is eliminated and L1 TD begins as soon as L3 TD is completed.

V = Voltage R = Reset L (1...4) = Lamps
TD = Time Delay (all are equal)

Mechanical View



Ordering Table

X Series
SC3 (3 outputs)
SC4 (4 outputs)

X Input
24 - 24 V AC
120 - 120 V AC
230 - 230 V AC

X Rate
A - Adjustable (30 ... 300)
F - Fixed *

*If Fixed is selected, insert **[30 ... 300]** operations per minute.

Example P/N: **SC3120A, SC424F100**

Technical Data Specifications	
Mode of Operation	Sequential 3 or 4 circuit flashing of incandescent lamp loads. Fixed or adjustable rates.
Rate	Adjustable: 30 ... 300 operations per minute Fixed: 30 ... 300 operations per minute (+/-10%)
Input	
Input Voltage	24, 120, or 230 V AC +/-15%
Frequency	50 ... 60 Hz
Output	
Type	Solid state
Rating	1 A steady state per output
Mechanical	
Mounting	Surface mount with two #6 (M3.5 x 0.6) screws
Termination	0.25 in. (6.35 mm) male quick connect terminals
Package	3.5 x 2.5 x 1.22 in. (88.9 x 63.5 x 31 mm)
Protection	
Circuitry	Encapsulated
Dielectric Breakdown	≥ 2000 V RMS terminals to mounting surface
Insulation Resistance	≥ 100 MΩ
Environmental	
Operating / Storage Temperature	-20°C ... +60°C / -40°C ... +85°C
Humidity	95% relative, non-condensing
Weight	≅ 5.4 oz (153 g)

Accessories



Female quick connect P/Ns:
P1015-13 (AWG 10/12)
P1015-64 (AWG 14/16)
P1015-14 (AWG 18/22)



Quick connect to screw adaptor P/N: **P1015-18**

See accessory pages for specifications.