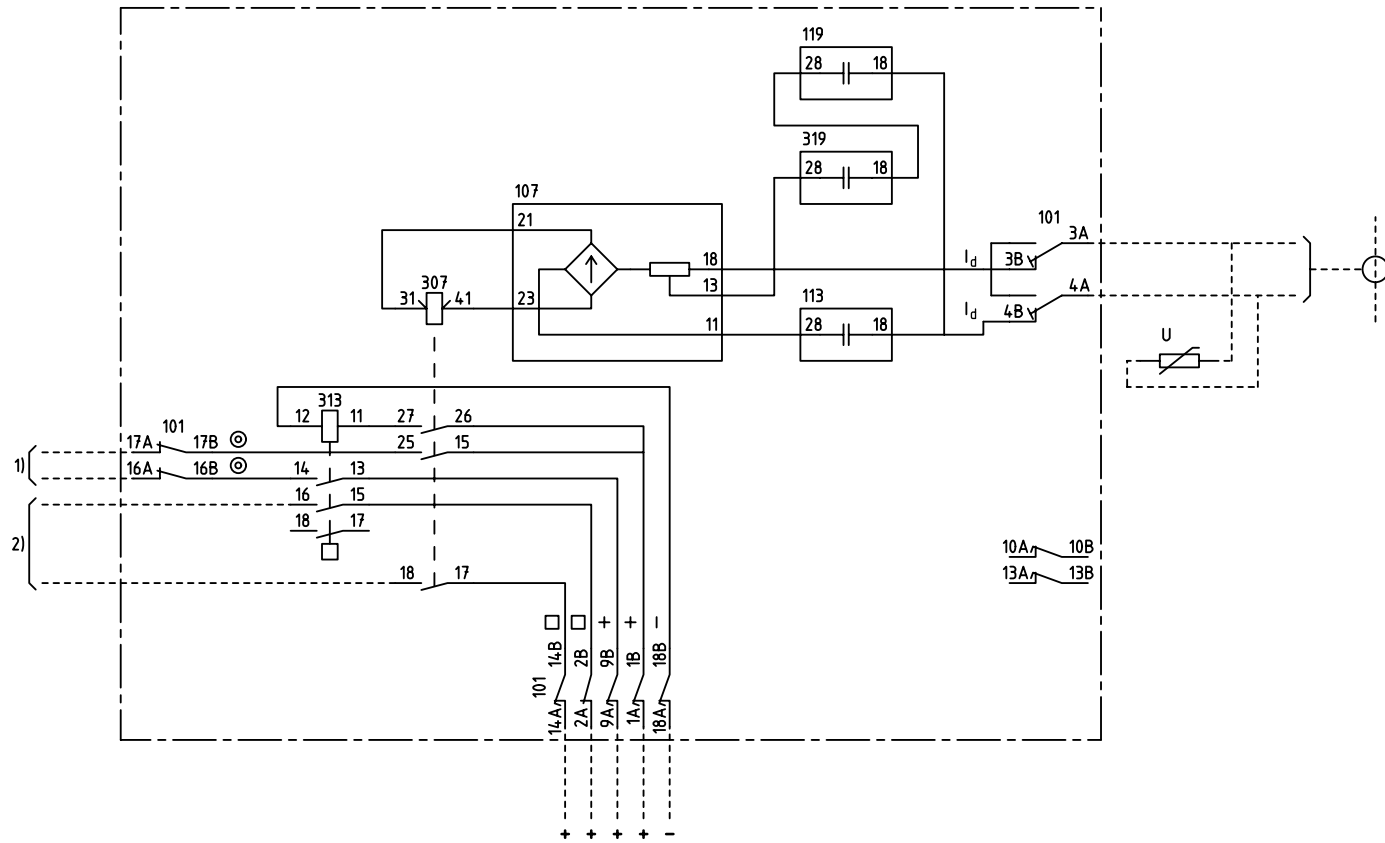


We reserve all rights in this document and in the information contained therein. Reproduction, use for other than intended purposes, or distribution without the written permission of ABB Automation Technologies AB is strictly forbidden.



$I_d >$

HIGH-IMPEDANCE SINGLE-PHASE RESTRICTED  
EARTH-FAULT PROTECTION

|     |     |     |     |
|-----|-----|-----|-----|
| 24C |     |     |     |
| 101 | 107 | 113 | 119 |
|     | 307 | 313 | 319 |
| 4U  |     |     |     |

- 101 RTXP 18
- 107 RXTLA 1
- 113 RXTCA 1
- 119 RXTCA 1
- 319 RXTCA 1
- 307 RXID 1
- 313 RXSF 1

- 1) TRIP ETC
- 2) ALARM ETC.

|                 |  |            |                                      |                       |
|-----------------|--|------------|--------------------------------------|-----------------------|
| Customer drw no | Prep. PTUA/ TPTD Eriksson Jill         | 2001-12-19 | Circuit Diagram                      | Conf. sh/<br>No of sh |
|                 | Appr. PTUA/ SA/ATD Jonsson Patrik      | 2002-01-29 |                                      |                       |
|                 | Resp. dept PTUA/ TPTD                  |            | Document number<br><b>7417005-CC</b> | Lang.<br>en           |
| Based on        | <b>ABB</b> ABB Automation Technologies |            |                                      |                       |

RK 646 007-CC,-CD



Document status: Approved