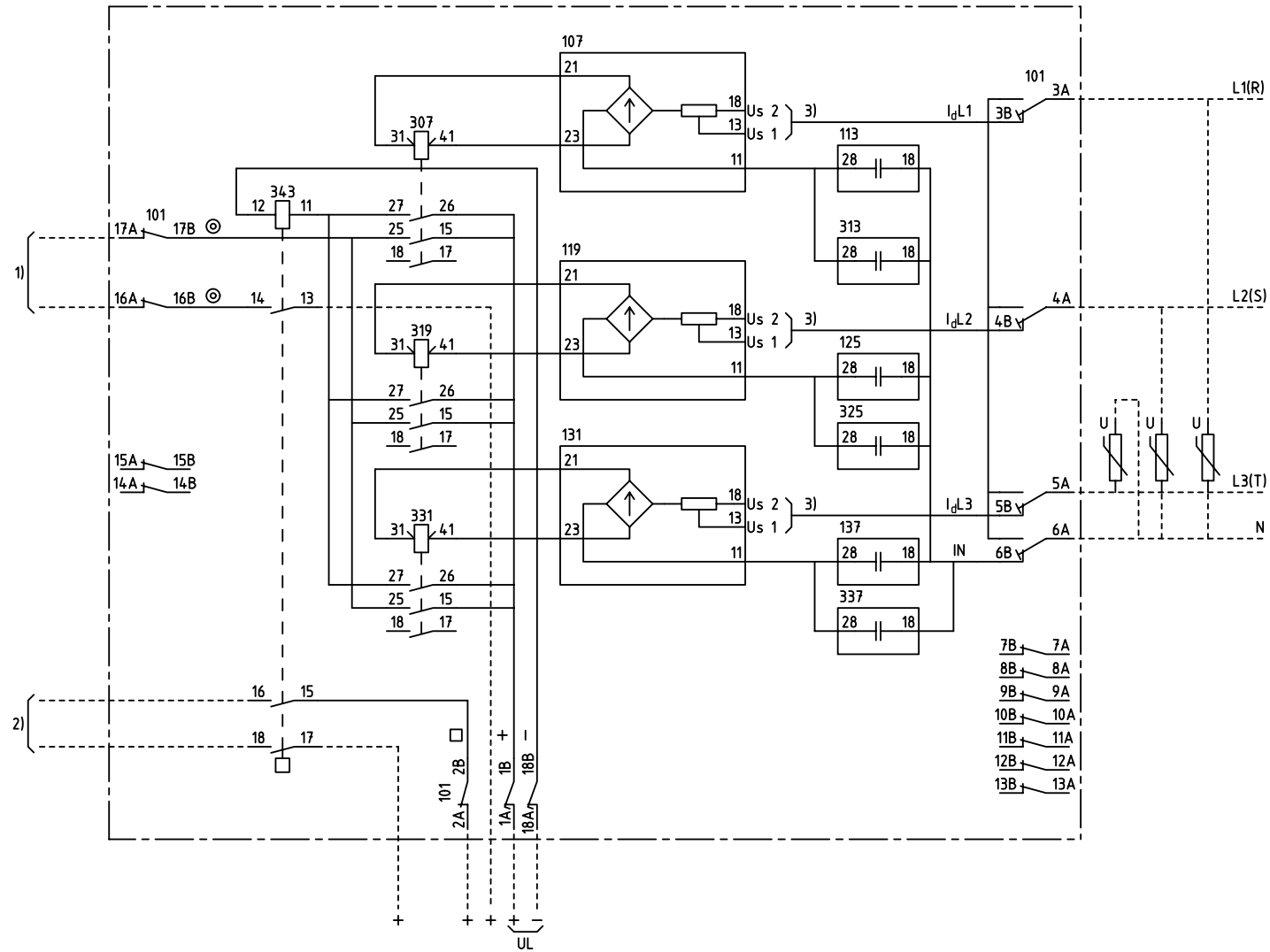


We reserve all rights in this document and in the information contained therein. Reproductions, use for other than intended purposes or distribution without the written consent of ABB Network Partner AB is strictly forbidden.



3_Id >

3-PHASE HIGH-IMPEDANCE DIFFERENTIAL PROTECTION FOR $U_s=10/15V$
 3-FAS DIFFERENTIALSKYDD AV HÖG-IMPEDANSTYP FÖR $U_s=10/15V$

48C						
101	107	113	119	125	131	137
	307	313	319	325	331	337
						343

4U

- 101 RTXP 18
- 107 119 131 RXTLA 1
- 113 125 137 RXTCA 1
- 313 325 337 RXTCA 1
- 307 319 331 RXID 1
- 343 RXSF 1

- 1) TRIPPING ETC.
UTLÖSNING M.M
- 2) ALARM ETC.
SIGNAL M.M
- 3) CONNECTED TO 13 (Us 1)
AT DELIVERY
VID LEVERANS ANSLUTEN
TILL 13 (Us 1)

ELCAD ID PAT/render		DATE 2004-06-222:13		RK 646 009-FA		Issued in ARCADE	
		Prepared 76 27	R ÖSTLUND		CIRCUIT DIAGRAM/KRETSSCHEMA		
		Approved 76 27	P JENÄKER		RADHA DIFFERENTIAL PROTECTION		
					DIFFERENTIALSKYDD		
Rev Ind	Revision	Reg No 7417			Resp dep PAT	Rev ind 5 96.45	Lang 82
Based on		Pcl 890.646			ABB ABB Network Partner AB		7417 015-FA
							Sheet 1
							Cont