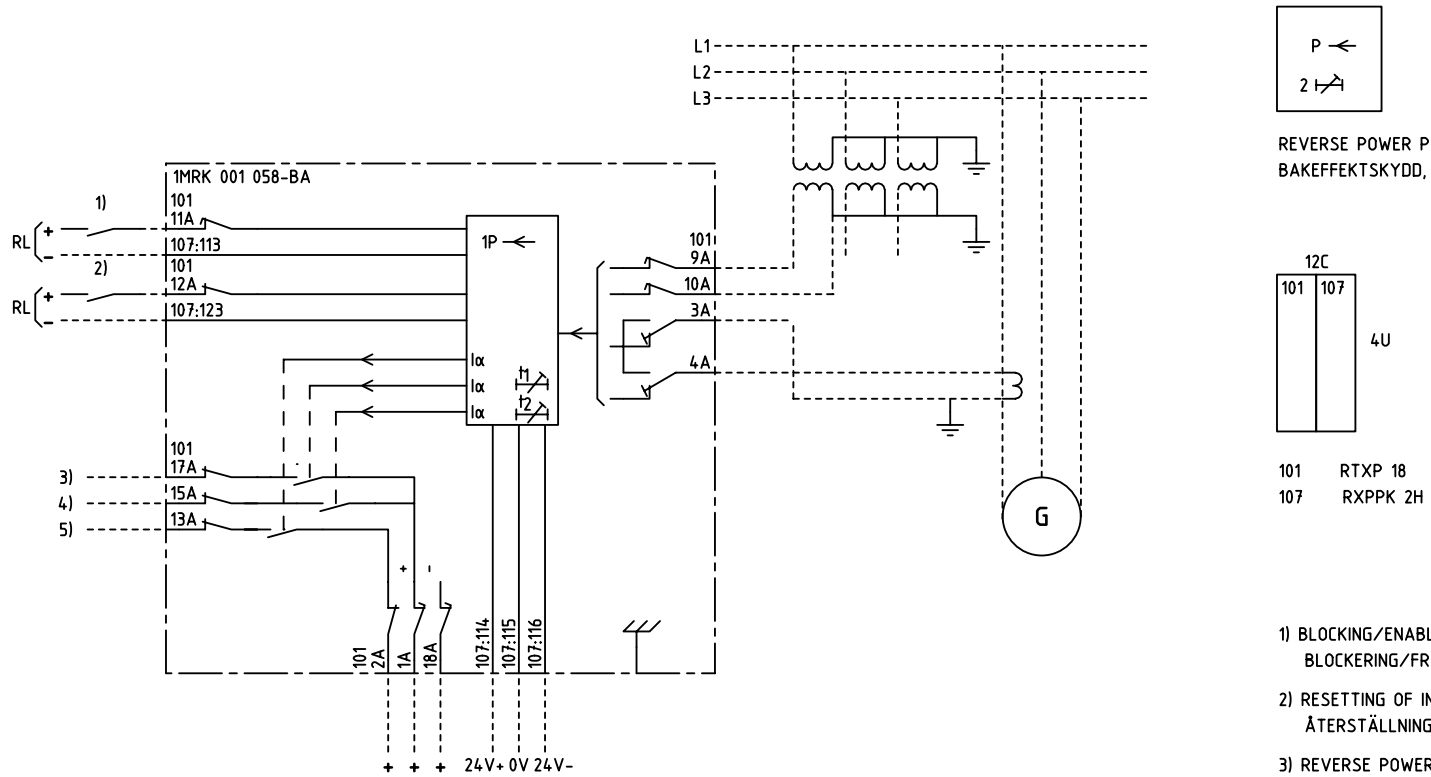


We reserve all rights in this document and in the information contained therein. Reproduction, use for other than intended purposes, or distribution without the written consent of ABB Network Partner AB is strictly forbidden.



REVERSE POWER PROTECTION, DELAYED  
BAKEFFEKTSKYDD, FÖRDRÖJT

- 1) BLOCKING/ENABLING OF TRIP t1  
BLOCKERING/FRIGIVNING AV UTLÖSNING t1
- 2) RESETTING OF INDICATION  
ÅTERSTÄLLNING AV INDIKERING
- 3) REVERSE POWER, TRIP t1  
BAKEFFEKT, UTLÖSNING t1
- 4) REVERSE POWER, TRIP t2  
BAKEFFEKT, UTLÖSNING t2
- 5) REVERSE POWER, START  
BAKEFFEKT, START
- 7) MUST BE ENERGIZED FROM RXTUG 21/22H  
MÅSTE MATAS FRÅN RXTUG 21/22H

ELCAD ID PS/render

DATE 2004-06-2122:54

Issued in ARCADE

Prepared 98-01-15 H RAZA/JE		TERMINAL DIAGRAM/UTTAGSSCHEMA		Resp dep PS		Rev ind -		Lang 82	
Approved 98-01-30 P JENÄKER		RAPPK REVERSE POWER PROTECTION		1MRK 001 058-BAA		Sheet 1			
Reg No 7411		RAPPK BAKEFFEKTSKYDD		Cont					
Based on Pcl 890 522		ABB ABB Network Partner AB							

1

2

3

4

5

6