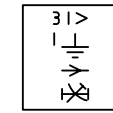
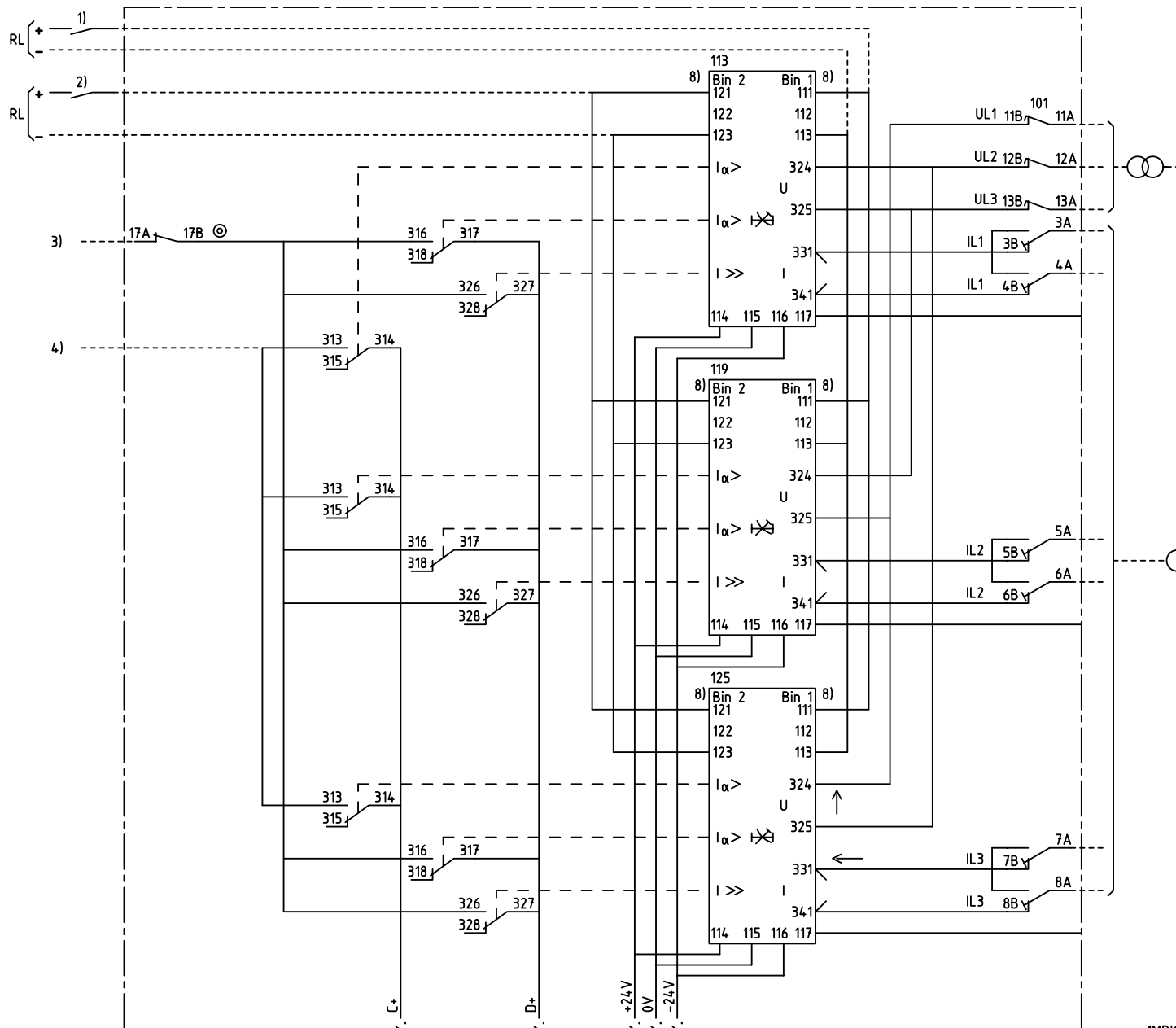


We reserve all rights in this document and in the information contained therein. Reproduction, use or distribution of this document without the written permission of ABB Automation Technologies AB is strictly forbidden. © ABB Automation Technologies AB



3-PH DIRECTIONAL OVERCURRENT AND EARTH FAULT PROTECTION, DELAYED  
3-FAS RIKTAT ÖVERSTRÖMS- OCH JORDFELSSKYDD, FÖRDRÖJT

36C

101	107	113	119	125	131
-----	-----	-----	-----	-----	-----

4U

101 RTXP 18  
107 RXTUG 22H  
113,119,125,131 RXPOK 21H

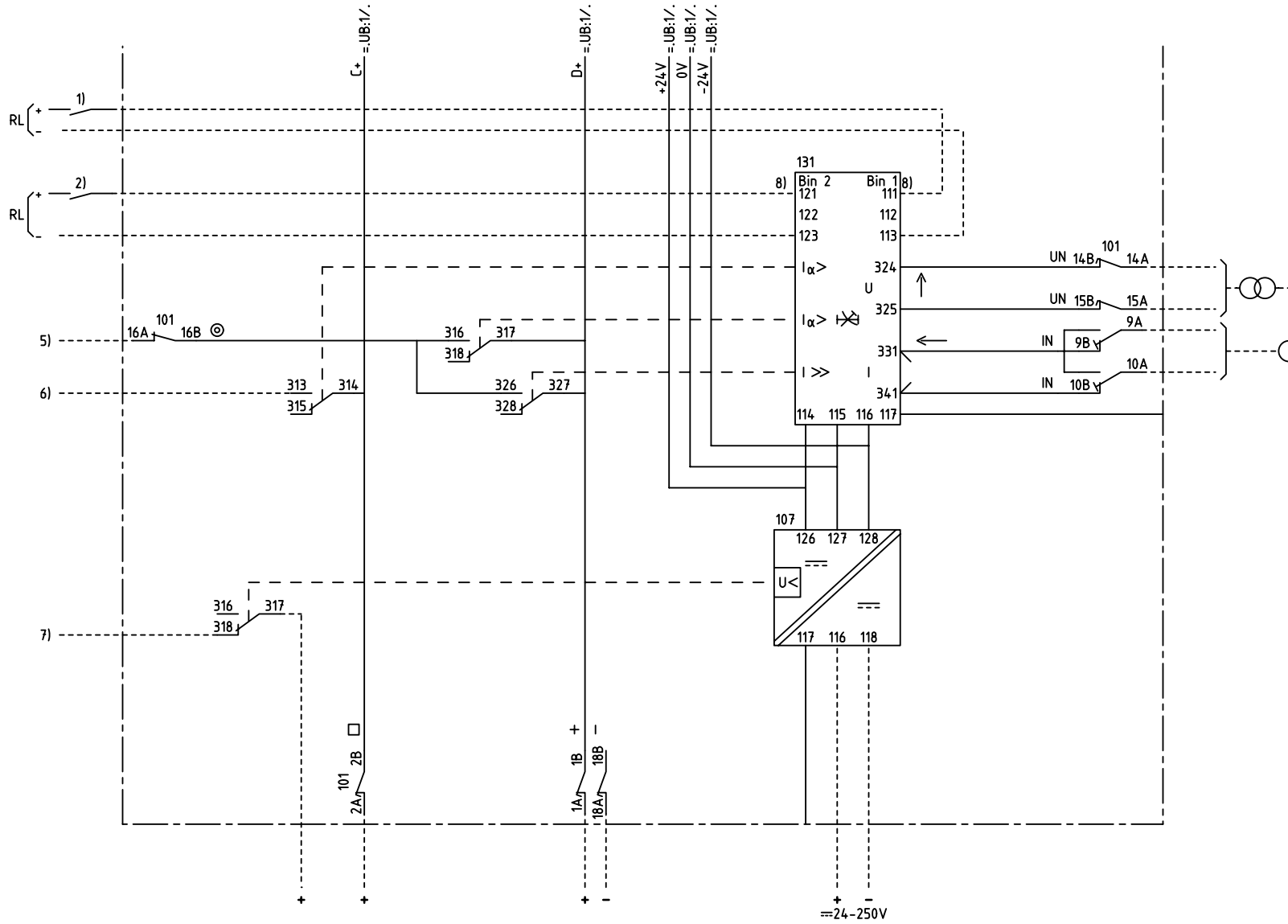
- 1) BLOCKING OF THE FUNCTION  $I_{\alpha} >$
- 2) RESETTING OF INDICATION  
ÅTERSTÄLLNING AV INDIKERING
- 3) DIR. OVERCURRENT/OVERCURRENT, TRIPPING  
RIKTAD ÖVERSTRÖM/ÖVERSTRÖM, UTLÖSNING
- 4) DIRECTIONAL OVERCURRENT, START  
RIKTAD ÖVERSTRÖM, START
- 5) EARTH FAULT, TRIPPING  
JORDFEL, UTLÖSNING
- 6) EARTH FAULT, START  
JORDFEL, START
- 7) LOSS OF AUXILIARY VOLTAGE  
BORTFALL AV HJÄLPSPÄNNING
- 8) CONNECTED FOR RL=110-220V DC  
CHANGE FROM 111 TO 112 AND  
121 TO 122 AT RL=48-60V DC  
KOPPLAD FÖR RL=110-220V DC  
ÄNDRA FRÅN 111 TILL 112 OCH  
121 TILL 122 VID RL=48-60V DC

Customer drw no	Prep. PTUA/ TPTD H Raza/KJ	1999-03-29
	Appr. PTUA/ Roger Karlsson	1999-05-21
	Resp. dept PTUA/ TPTD	
Based on	<b>ABB</b> ABB Automation Technologies	

1MRK 001 021-UB			Cont. sh/ No of sh
Circuit Diagram Dir. O/C and E/F prot.			2
Document number	Lang.	Rev.	Sheet
<b>1MRK001022-UB</b>	82	-	1

Document status: Approved

We reserve all rights in this document and in the information contained therein. Reproduction, use in other documents or in other systems without the written consent of ABB Automation Technologies AB is strictly forbidden. © ABB Automation Technologies AB



Customer drw no	Prep. PTUA/ TPTD H Raza/KJ	1999-03-29	Circuit Diagram	Conf. sh/ No of sh
	Appr. PTUA/ Roger Karlsson	1999-05-21		
	Resp. dept PTUA/ TPTD		Document number	Lang.
Based on	<b>ABB</b> ABB Automation Technologies		<b>1MRK001022-UB</b>	82
			Rev.	Sheet
			-	2

Document status: Approved