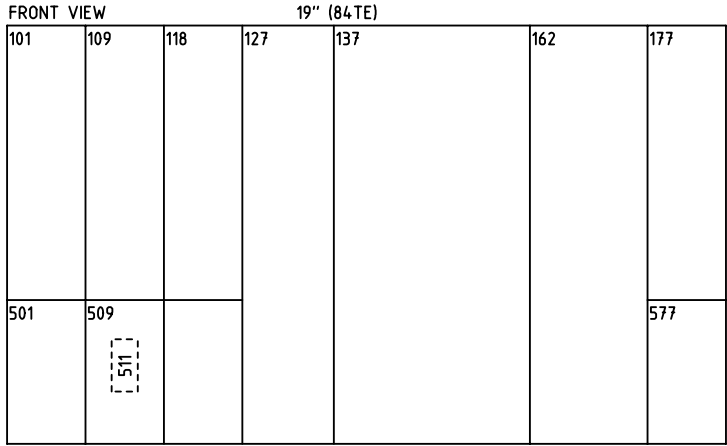
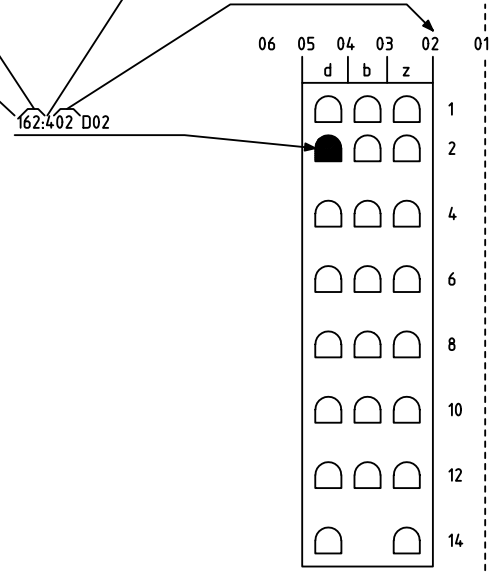
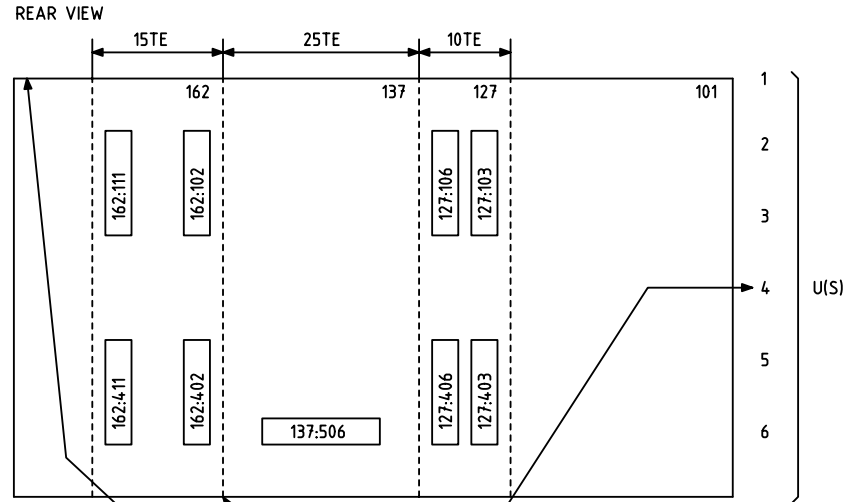


We reserve all rights in this document and in the information contained therein. Reproductions, use for other than the intended purpose, without the written consent of ABB Network Partner AB is strictly forbidden.



3 | d / >

- 101 RTXP 18 TEST SWITCH
- 109 RTXP 18 TEST SWITCH
- 118 RTXP 18 TEST SWITCH
- 127 RLOE 100 DIODE UNIT
- 137 RLHE 103 COMPARATOR UNIT
- 162 RLDA 103 MEASURING UNIT
- 177 RXTUG 22H DC-CONVERTOR
- 501 RXMD 1 BLOCKING RELAY
- 509 RXME 1 TRIP RELAY
- 511 RTXE DIODE BLOCK
- 577 SELECTOR SWITCH UNIT



ELCAD ID PS/render

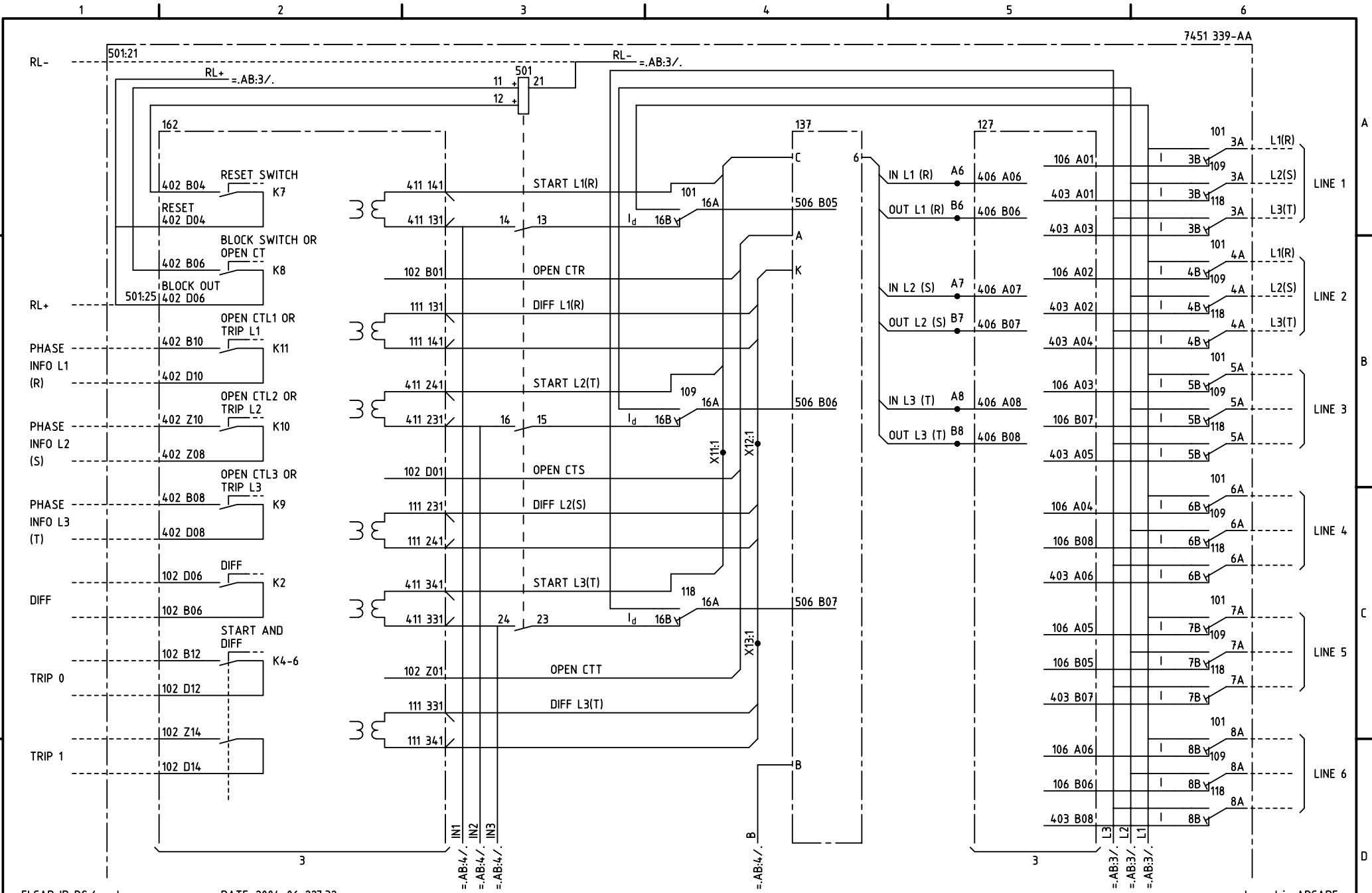
DATE 2004-06-227:32

RK 638 001-AB

Issued in ARCADE

		Prepared 94 16	N BRANDT	CIRCUIT DIAGRAM			
		Approved 94 16	P JENÄKER	REB 103 BUS DIFFERENTIAL PROTECTION			
Rev Ind	Revision	Reg No 7451			Resp dep PS	Rev Ind 5 98-08-11	Lang EN
Based on		Pcl 890.638	<b>ABB</b> ABB Network Partner AB		<b>7451 340-AB</b>		Sheet 1
						Cont 2	

We reserve all rights in this document and in the information contained therein. Reproductions, use or distribution of this document without the written permission of ABB Network Partner AB is strictly forbidden.



ELCAD ID PS/render

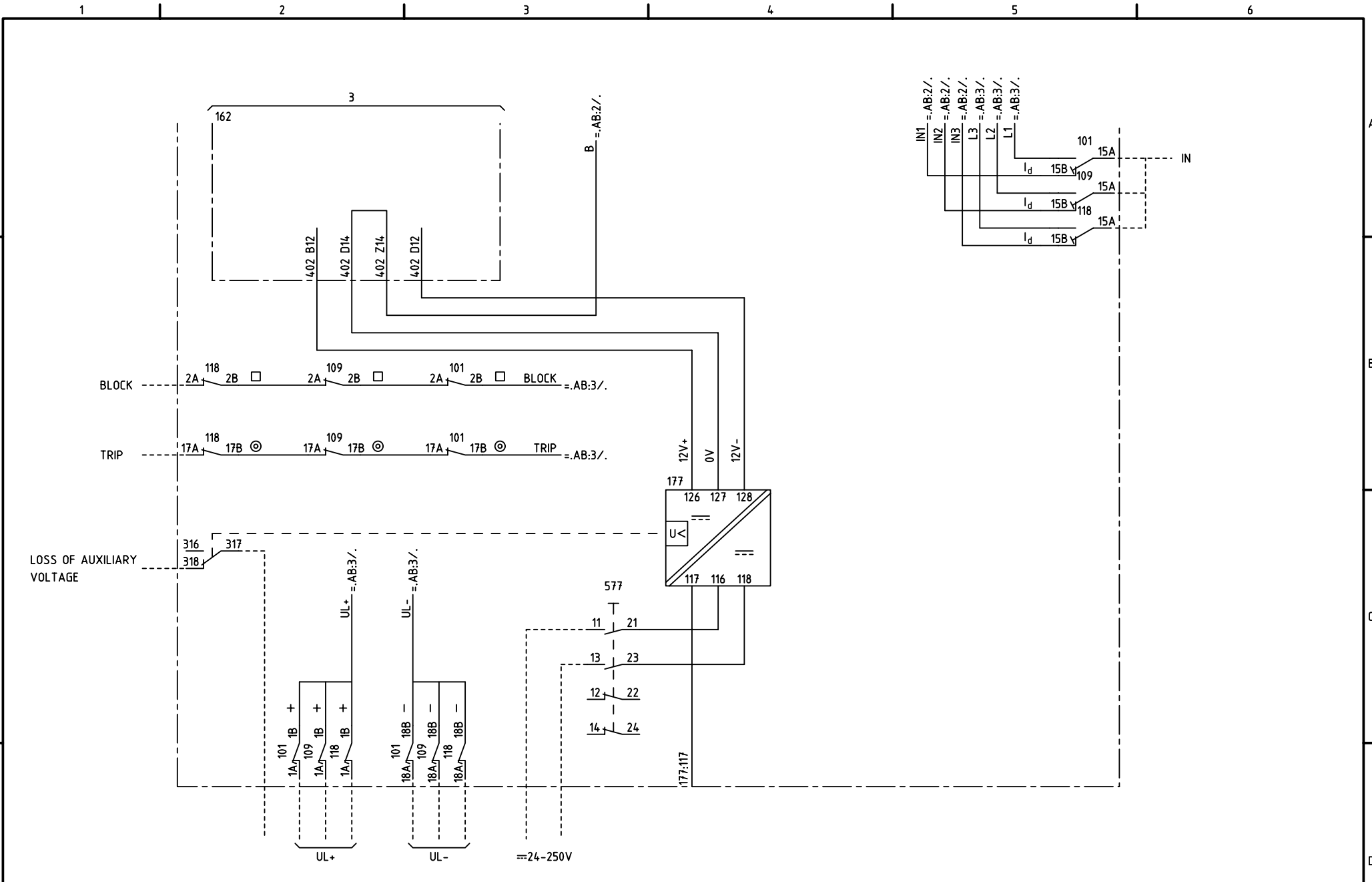
DATE 2004-06-227:32

Issued in ARCADE

Prepared 94 16 N BRANDT		CIRCUIT DIAGRAM		Resp dep PS		Rev Ind 5 98-08-11		Lang en	
Approved 94 16 P JENÄKER		REB 103 BUS DIFFERENTIAL PROTECTION		7451 340-AB		Sheet 2		Cont 3	
Rev Ind	Revision	Reg No	7451	ABB ABB Network Partner AB		7451 340-AB		Sheet 2	
Based on		Pcl	890.638					Cont 3	



We reserve all rights in this document and in the information contained therein. Reproductions, use for other than intended purposes, or distribution without the written permission of ABB Network Partner AB is strictly forbidden.



ELCAD ID PS/render

DATE 2004-06-227:32

Issued in ARCADE

Prepared 94 16 N BRANDT		CIRCUIT DIAGRAM			
Approved 94 16 P JENÄKER		REB 103 BUS DIFFERENTIAL PROTECTION			
Rev Ind	Revision	Reg No 7451	Resp dep PS	Rev ind 5 98-08-11	Lang en
Based on	Pcl 890.638	ABB Network Partner AB		7451 340-AB	
				Sheet 4	

1

2

3

4

5

6