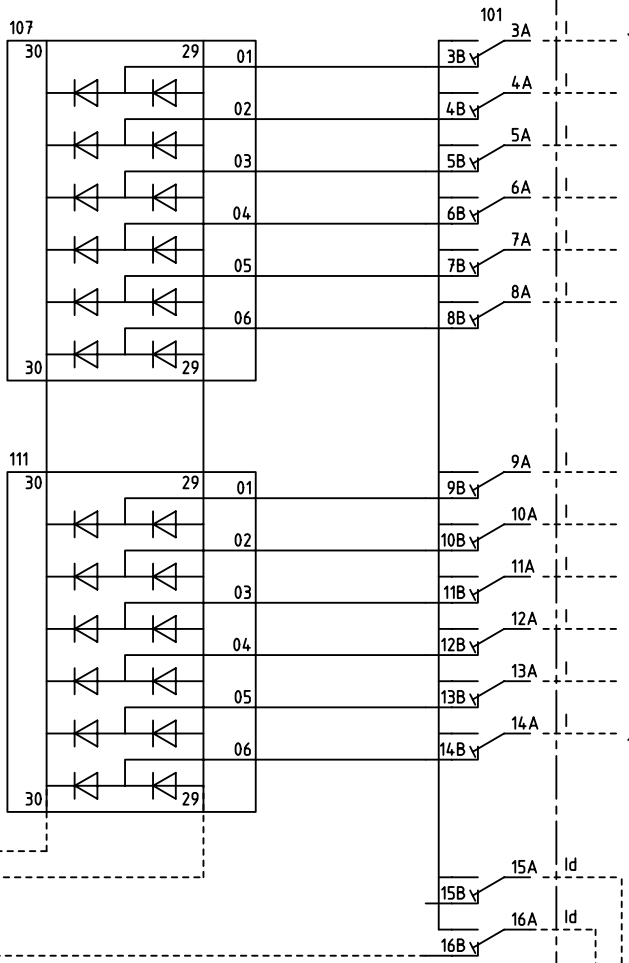


We reserve all rights in this document and in the information contained therein. Reproductions, use for other than intended purposes, or distribution without the written consent of ABB Network Partner AB is strictly forbidden.

REB 103
7451 340-AB



127:406 A6:1
127:406 B6:1

101:16B
101:16A
101:15A

42C								
101	107	111	115	121	125	129	135	139
4U								

L1(R)
Line 13-24

101 115 129 RTXP 18
107 121 135 RQBA 04.0
111 125 139 RQBA 04.0 1)

1) NOT ASSEMBLED FOR 18 LINES
EJ MONTERAD FÖR 18 LINJER

ELCAD ID PAT/render		DATE 2004-06-234:36		Issued in ARCADE	
Prepared 97-03-14 N BRANDT/LO		CIRCUIT DIAGRAM/KRETSSHEMA			
Approved 97-04-18 P JENÄKER		REB 103 FOR 18, 24 LINES		Resp dep PAT Rev ind - Lang 82	
		REB 103 FÖR 18, 24 LINJER		1MRK 001424-AA	
Rev Ind	Revision	Reg No 7451	Sheet 1		
Based on	Pcl 890.638	Cont 2			

1 2 3 4 5 6

A A

B B

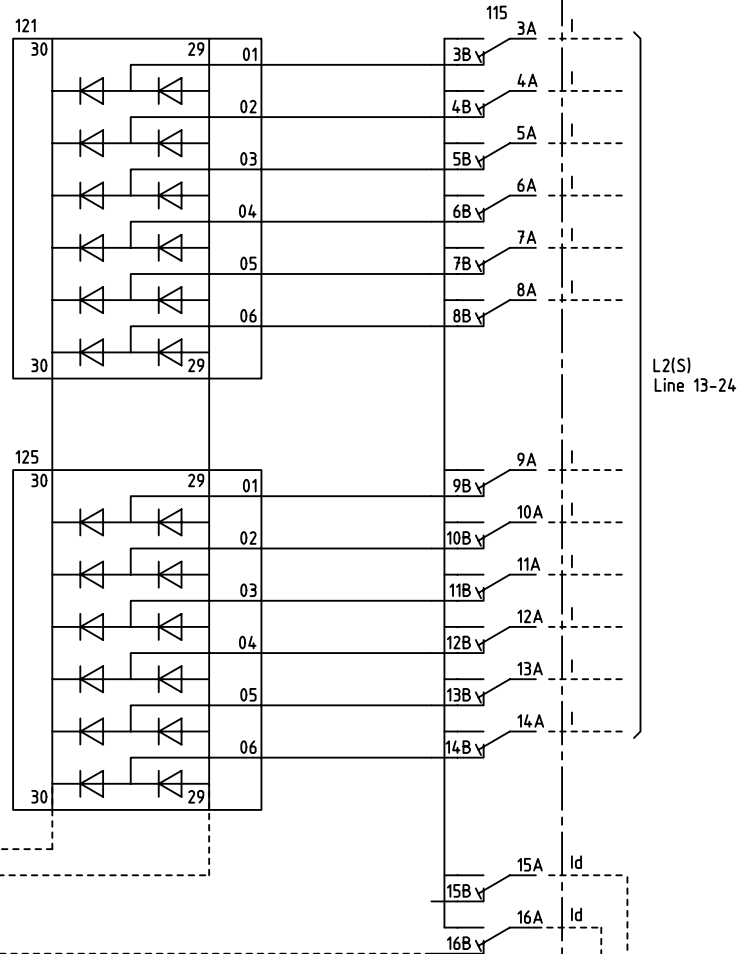
C C

D D

1 2 3 4 5 6

We reserve all rights in this document and in the information contained therein. Reproduction, use for other than intended purposes, or distribution without the written permission of ABB Network Partner AB is strictly forbidden.

REB 103



127:406 A7:1
127:406 B7:1

109:16B
109:16A
109:15A

ELCAD ID PAT/render

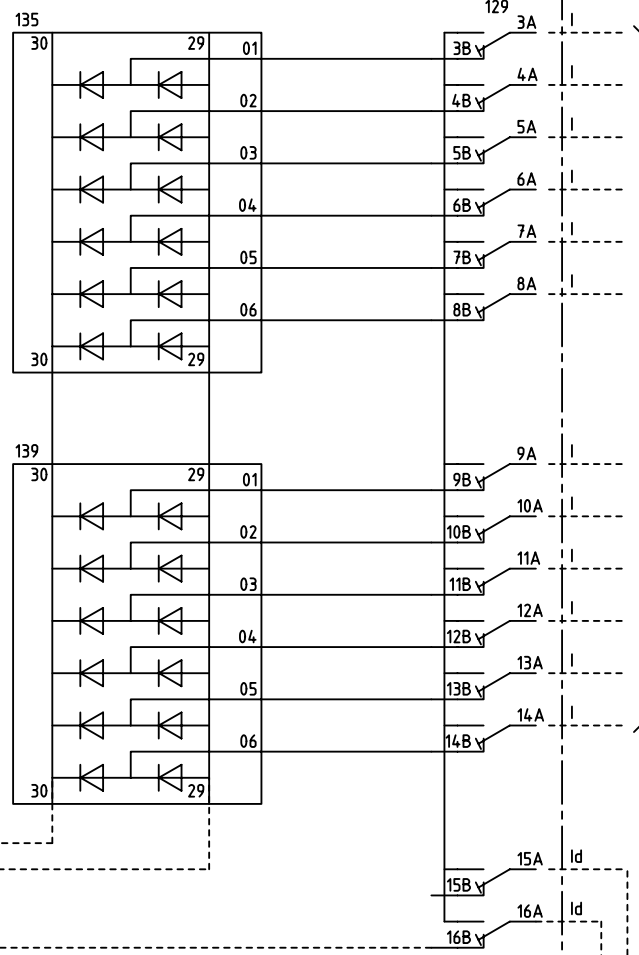
DATE 2004-06-234:36

Issued in ARCADE

Prepared 97-03-14 N BRANDT/LO		CIRCUIT DIAGRAM/KRETSSCHEMA	
Approved 97-04-18 P JENÄKER		REB 103 FOR 18, 24 LINES	
		REB 103 FÖR 18, 24 LINJER	
Rev Ind	Revision	Reg No 7451	Resp dep PAT Rev Ind - Lang 82
Based on	Pct 890.638	ABB ABB Network Partner AB 1MRK 001424-AA	
		Sheet 2	Cont 3

We reserve all rights in this document and in the information contained therein. Reproduction, use for other than intended purposes, or distribution without the written permission of ABB Network Partner AB is strictly forbidden.

REB 103



L3(T)
Line 13-24

127:406 A8:1
127:406 B8:1

118:16B
118:16A
118:15A

ELCAD ID PAT/render

DATE 2004-06-234:36

Issued in ARCADE

Prepared 97-03-14 N BRANDT/LO		CIRCUIT DIAGRAM/KRETSSCHEMA	
Approved 97-04-18 P JENÄKER		REB 103 FOR 18, 24 LINES	
		REB 103 FÖR 18, 24 LINJER	
Rev Ind	Revision	Reg No 7451	Resp dep PAT Rev Ind -
Based on	Pct 890.638		Lang 82
		Sheet 3	
		Cont	

ABB ABB Network Partner AB

1MRK 001424-AA