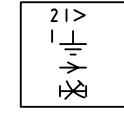
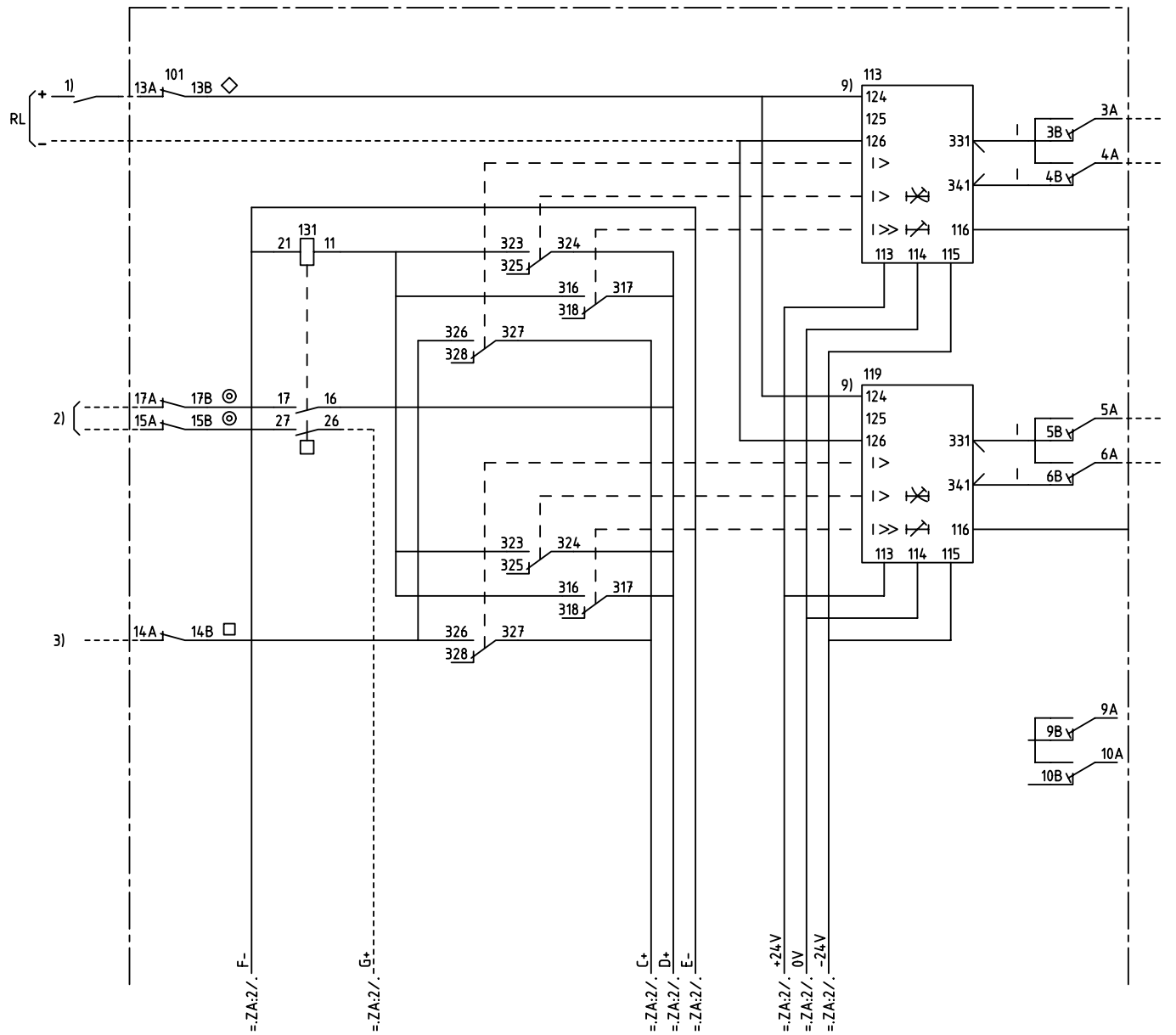
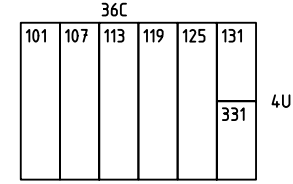


We reserve all rights in this document and in the information contained therein. Reproduction, use for other purposes or distribution without the written consent of ABB Network Partner AB is strictly forbidden.



2-PH OVERCURRENT AND DIRECTIONAL EARTH FAULT PROTECTION, DELAYED
 2-FAS ÖVERSTRÖMS- OCH RIKTAT JORDFELSSKYDD, FÖRDRÖJT



101	RTXP 18
107	RXTUG 22H
113,119	RXIDK 2H
125	RXPOK 22H
131,331	RXME 1

- 1) ENABLING, BLOCKING OR INCREASED OP.VALUE
FRIGIVNING, BLOCKERING ELLER ÖKAT FUNKTIONSVÄRDE
- 2) OVERCURRENT, TRIPPING
ÖVERSTRÖM, UTLÖSNING
- 3) OVERCURRENT, START
ÖVERSTRÖM, START
- 4) CHANGING OF CHARACTERISTIC ANGLE α
0° TO -90° OR -90° TO 0°
ÄNDRING AV KARAKTERISTISK VINKEL α
0° TILL -90° OR -90° TILL 0°
- 5) RESETTING OF INDICATION
ÅTERSTÄLLNING AV INDIKERING
- 6) DIRECTIONAL EARTH FAULT, TRIPPING
RIKTAT JORDFEL, UTLÖSNING
- 7) DIRECTIONAL EARTH FAULT CURRENT, START
RIKTAT JORDFELSTRÖM, START

ELCAD ID TPT/render

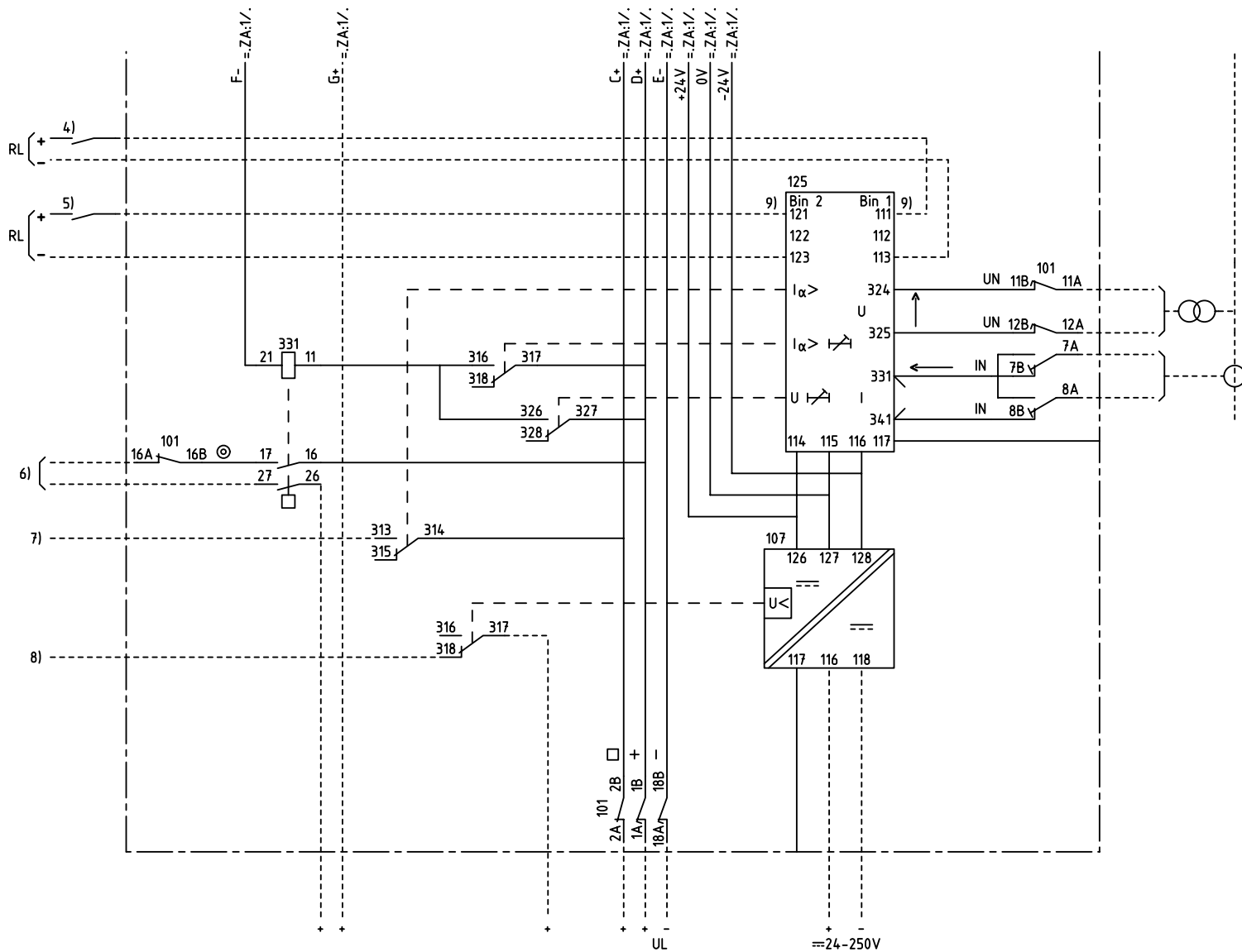
DATE 2004-06-2223:51

1MRK 001 070-ZA

Issued in ARCADE

Prepared 97-01-08 C-H EINVALL/KJ		CIRCUIT DIAGRAM/KRETSSCHEMA		Issued in ARCADE	
Approved 97-02-06 R KARLSSON		RACIK 223 O/C AND DIR. E/F PROTECTION		Resp dep TPT Rev ind 1 99-05-11 Lang 82	
Rev Ind Revision Reg No 7411		RACIK 223 Ö.STR- OCH RIKT. JORDFELSSKYDD		Sheet 1	
Based on Pcl 890.616		ABB ABB Network Partner AB		Cont 2	

We reserve all rights in this document and in the information contained therein. Reproductions, use for other than intended purposes or distribution without the written permission of ABB Network Partner AB is strictly forbidden.



- 8) LOSS OF AUXILIARY VOLTAGE
BORTFALL AV HJÄLPSPÄNNING
- 9) CONNECTED FOR RL=110-220V DC CHANGE
FROM 111 TO 112, 121 TO 122 AND
124 TO 125 AT RL=48-60V DC
KOPPLAD FÖR RL=110-220V DC ÄNDRA
FRÅN 111 TILL 112, 121 TILL 122 OCH
124 TILL 125 VID RL=48-60V DC

ELCAD ID TPT/render

DATE 2004-06-2223:51

1MRK 001 070-ZA

Issued in ARCADE

Prepared 97-01-08 C-H EINVALL/KJ		CIRCUITDIAGRAM/KRETSSCHEMA		Resp dep TPT		Rev ind 1 99-05-11		Lang 82	
Approved 97-02-06 R KARLSSON		RACIK 223 O/C AND DIR. E/F PROTECTION		RACIK 223 Ö.STR- OCH RIKT. JORDFELSSKYDD				Sheet 2	
Rev Ind	Revision	Reg No	7411	ABB ABB Network Partner AB		1MRK 001 071-ZA		Cont	
Based on	Pct	890.616	2						

1

2

3

4

5

6