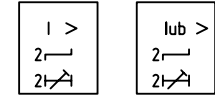
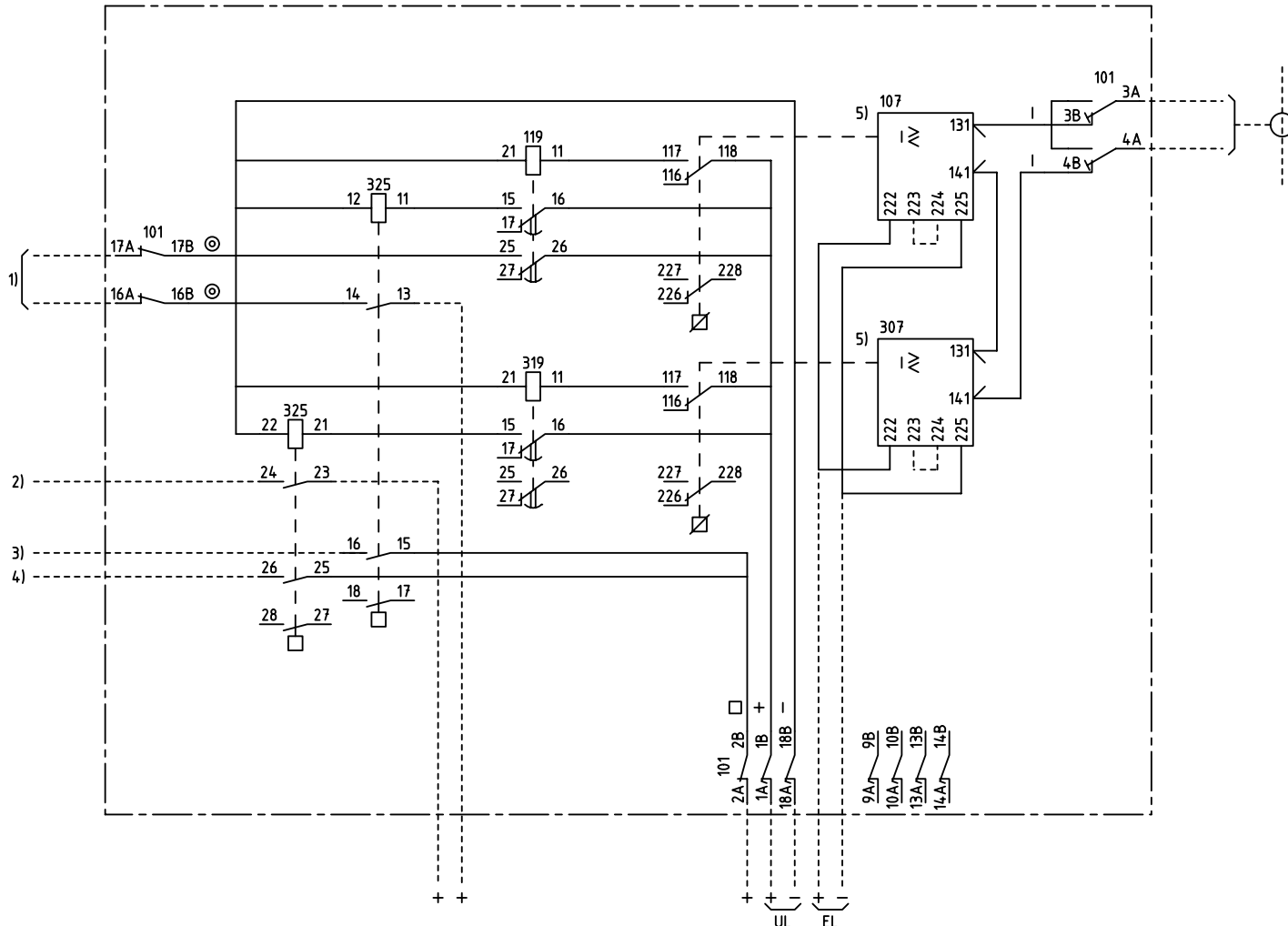


We reserve all rights in this document and in the information contained therein. Reproductions, use for other than intended purposes, or any other form of copying is strictly forbidden. © ABB Network Partner AB



1-PHASE UNBALANCE PROTECTION FOR SHUNT-CAPACITORS
1-FAS OBALANSSKYDD FÖR SHUNKONDENSATORER

30C			
101	107	119	
	307	319	325
4U			

101 RTXP 18
107 RXIG 2
119 319 RXKL 1
325 RXSF 1

- 1) TRIPPING OF CBs ETC.
UTLÖSNING AB BRYTARE MM
- 2) UNBALANCE ALARM
OBALANSLARM
- 3) ALARM, STEP 2
SIGNAL, STEG 2
- 4) ALARM, STEP 1
SIGNAL, STEG 1
- 5) 223-224 CONNECTED AT EL —24 RESP. 110-125V
223-224 FÖRBUNDNA VID RL
EL —24 RESP 110-125V

ELCAD ID PAT/render DATE 2004-06-230:22

RK 651 116-CA Issued in ARCADE

Prepared 82 45		C-H EINVALL		CIRCUIT DIAGRAM/KRETSSCHEMA			
Approved 82 45		P JENÄKER		OVERCURRENT PROTECTION			
				ÖVERSTRÖMSSKYDD		Resp dep PAT Rev ind 4 96 45 Lang 82	
Rev Ind	Revision	Reg No	7432	ABB ABB Network Partner AB		7432 0016-CA	
Based on		Pcl	890.651				