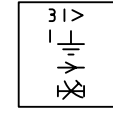
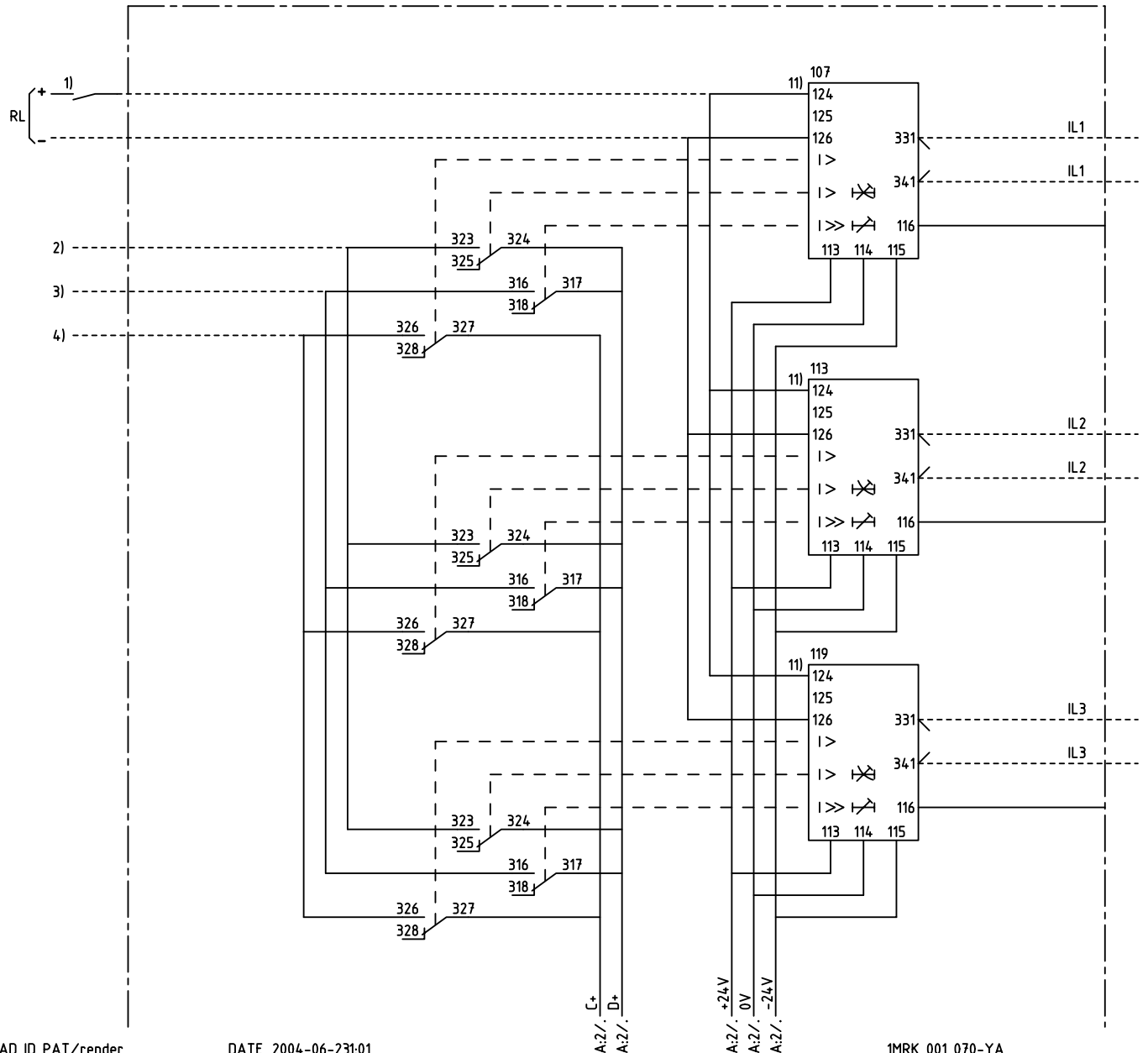


We reserve all rights in this document and in the information contained therein. Reproduction, use for other than intended purposes or distribution without written permission from ABB Network Partner AB is strictly forbidden.



3-PH OVERCURRENT AND DIRECTIONAL EARTH FAULT PROTECTION, DELAYED  
3-FAS ÖVERSTRÖMS- OCH RIKTAT JORDFELSSKYDD, FÖRDRÖJT

101 RXTUG 22H  
107,113,119 RXIDK 2H  
125 RXPDK 22H

- 1) ENABLING, BLOCKING OR INCREASED OP.VALUE  
FRIGIVNING, BLOCKERING ELLER ÖKAT FUNKTIONSVÄRDE
- 2) LOW SET STAGE, TRIPPING  
LÅGSTRÖMSTEG, UTLÖSNING
- 3) HIGH SET STAGE, TRIPPING  
HÖGSTRÖMSTEG, UTLÖSNING
- 4) OVERCURRENT, START  
ÖVERSTRÖM, START
- 5) CHANGING OF CHARACTERISTIC ANGLE  $\alpha$   
0° TO -90° OR -90° TO 0°  
ÄNDRING AV KARAKTERISTISK VINKEL  $\alpha$   
0° TILL -90° OR -90° TILL 0°
- 6) RESETTING OF INDICATION  
ÅTERSTÄLLNING AV INDIKERING
- 7) DIRECTIONAL EARTH FAULT CURRENT, TRIPPING  
RIKTAT JORDFELSSSTRÖM, UTLÖSNING
- 8) NEUTRAL POINT VOLTAGE, TRIPPING  
NOLLPUNKTSSPÄNNING, UTLÖSNING
- 9) DIRECTIONAL EARTH FAULT CURRENT, START  
RIKTAT JORDFELSSSTRÖM, START

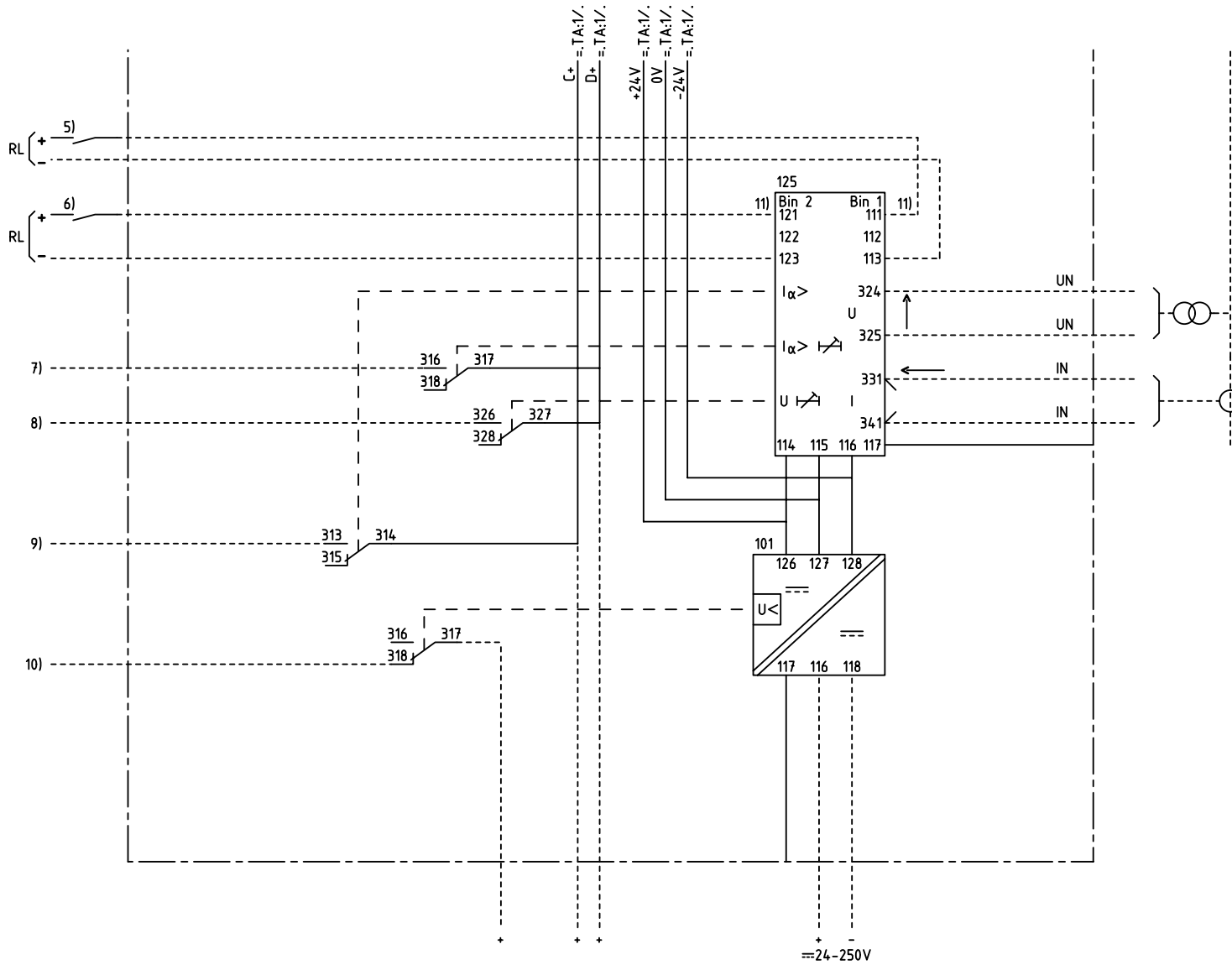
ELCAD ID PAT/render DATE 2004-06-231:01

1MRK 001 070-YA

Issued in ARCADE

|                                  |  |  |  |                        |  |
|----------------------------------|--|--|--|------------------------|--|
| Prepared 97-01-09 C-H EINVÄLL/KJ |  | CIRCUIT DIAGRAM/KRETSSCHEMA              |  | Lang 82                |  |
| Approved 97-02-06 P JENÄKER      |  | RACIK 224 O/C AND DIR. E/F PROTECTION    |  | Resp dep PAT Rev ind - |  |
| Rev Ind Revision Reg No 7411     |  | RACIK 224 Ö.STR- OCH RIKT. JORDFELSSKYDD |  | Sheet 1                |  |
| Based on Pcl 890.616             |  | ABB ABB Network Partner AB               |  | Cont 2                 |  |

We reserve all rights in this document and in the information contained therein. Reproduction, use or distribution of this document without the written authority of ABB Network Partner AB is strictly forbidden.



ELCAD ID PAT/render

DATE 2004-06-231:01

1MRK 001 070-TA

Issued in ARCADE

|                                  |          |                                       |         |  |  |                        |  |         |  |
|----------------------------------|----------|---------------------------------------|---------|--|--|------------------------|--|---------|--|
| Prepared 97-01-09 C-H EINVALL/KJ |          | CIRCUITDIAGRAM/KRETSSCHEMA            |         | Resp dep PAT                             |  | Rev Ind -              |  | Lang 82 |  |
| Approved 97-02-06 P JENÄKER      |          | RACIK 224 O/C AND DIR. E/F PROTECTION |         | RACIK 224 Ö.STR- OCH RIKT. JORDFELSSKYDD |  | Sheet 2                |  | Cont    |  |
| Rev Ind                          | Revision | Reg No                                | 7411    | <b>ABB</b> ABB Network Partner AB        |  | <b>1MRK 001 071-TA</b> |  | Sheet 2 |  |
| Based on                         |          | Pcl                                   | 890.616 |  |  |                        |  | Cont    |  |

1

2

3

4

5

6