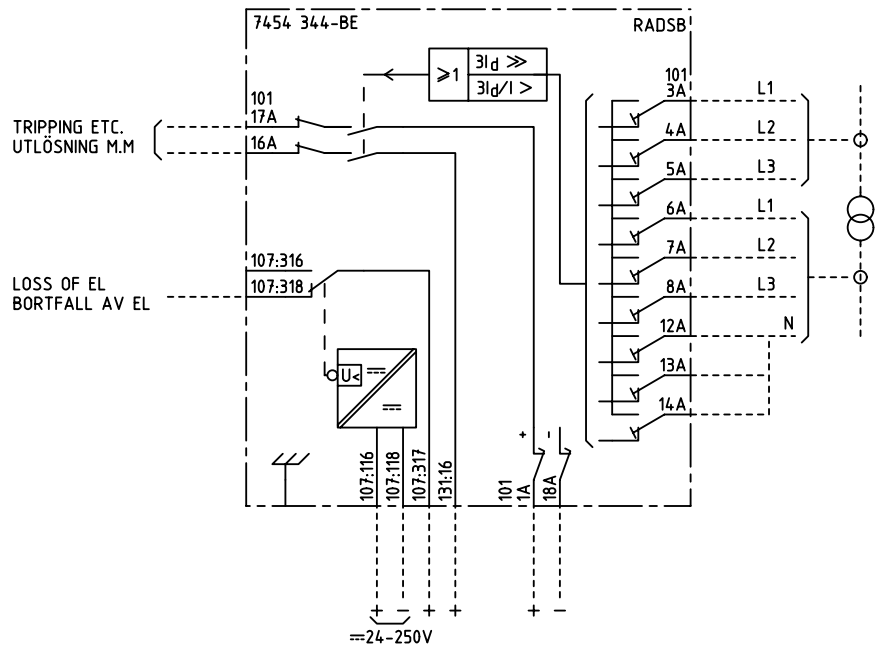


We reserve all rights in this document and in the information contained therein. Reproduction, use for other purposes or distribution without the written consent of ABB Network Partner AB is strictly forbidden.



3I_d/>
 TRANSFORMER DIFFERENTIAL PROTECTION
 WITH TWO INPUT CIRCUIT RESTRAINTS
 TRANSFORMATORDIFFERENTIALSKYDD
 MED TVÅ STABILISERANDE INGÅNGAR

ELCAD ID PAT/render

DATE 2004-06-234:40

Issued in ARCADE

Prepared 85 25 C-H EINVALL		TERMINAL DIAGRAM/UTTAGSSCHEMA			
Approved 85 25 P JENÅKER		RADSB DIFFERENTIAL PROTECTION			
		RADSB DIFFERENTIALSKYDD		Resp dep PAT	Lang 82
Rev Ind	Revision	Reg No 7454	Rev Ind 2 96 45		Sheet 1
Based on	Pcl 890.625	ABB ABB Network Partner AB		7454 344-BDA	Cont