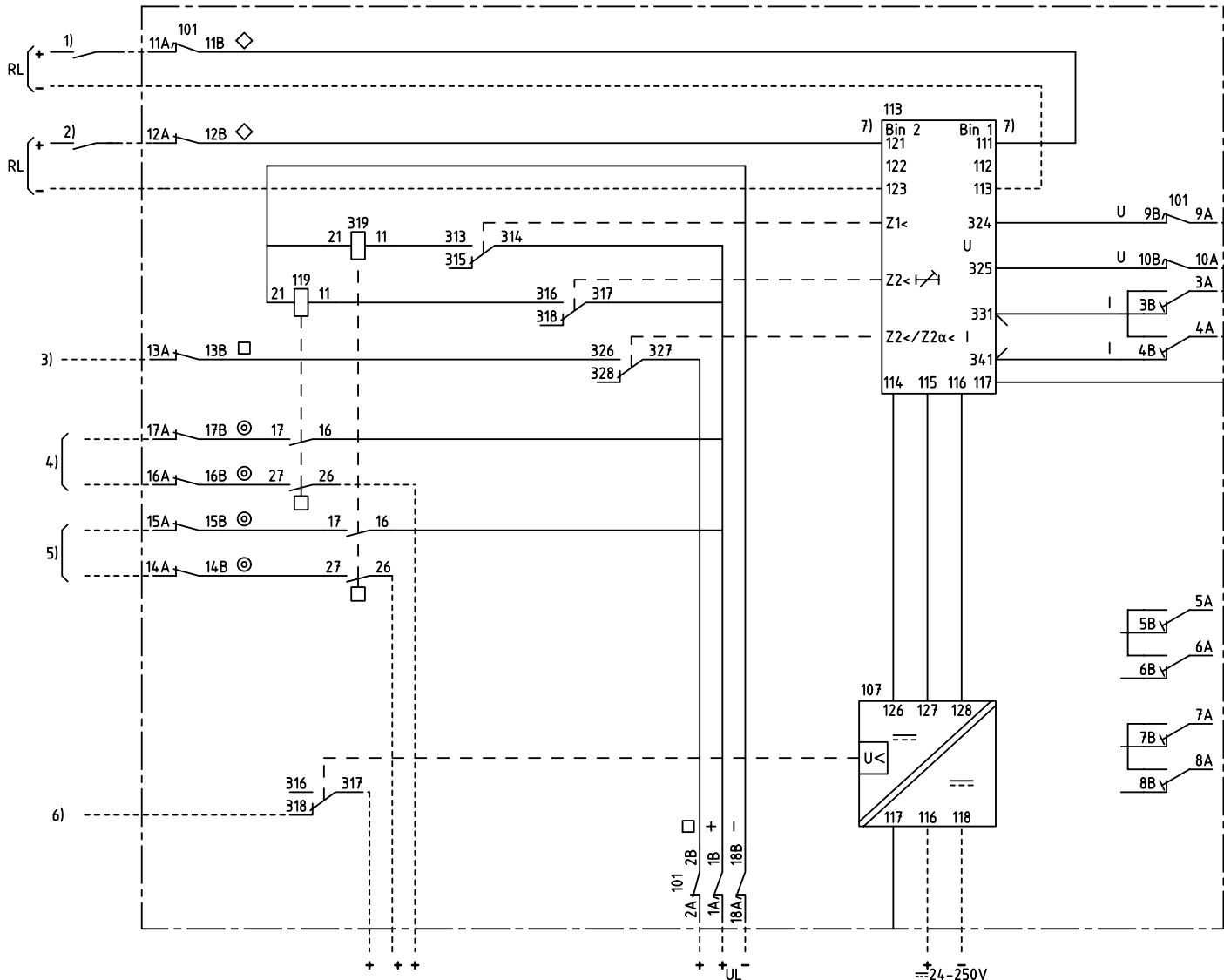
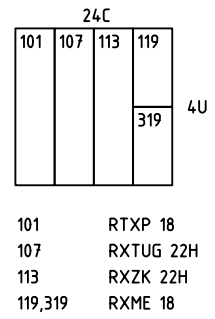


We reserve all rights in this document and in the information contained therein. Reproduction, use for other than intended purposes, or distribution without the written consent of ABB Network Partner AB is strictly forbidden.



1-PH UNDERIMPEDANCE PROTECTION  
 DELAYED  
 1-FAS UNDERIMPEDANSSKYDD  
 FÖRDRÖJT



- 1) BLOCKING OF ALL THE FUNCTIONS EXCEPT Z2α<, FUNCTION Z2<  $\rightarrow$  CHANGES TO AN INSTANTANEOUS FUNCTION.  
 BLOCKERING AV ALLA FUNKTIONER UTOM Z2α<, FUNKTION Z2<  $\rightarrow$  ÄNDRAS TILL MOMENTAN FUNKTION.
- 2) RESETTING OF INDICATION  
 ÅTERSTÄLLNING AV INDIKERING
- 3) UNDERIMPEDANCE Z2</Z2α<, START  
 UNDERIMPEDANS Z2</Z2α<, START
- 4) UNDERIMPEDANCE Z2<, TRIPPING  
 UNDERIMPEDANS Z2<, UTLÖSNING
- 5) UNDERIMPEDANCE Z1<, TRIPPING  
 UNDERIMPEDANS Z1<, UTLÖSNING
- 6) LOSS OF AUXILIARY VOLTAGE  
 BORTFALL AV HJÄLPPSPÄNNING
- 7) CONNECTED FOR RL=110-220V DC  
 CHANGE FROM 111 TO 112 AND 121 TO 122 AT RL=48-60V DC  
 KOPPLAD FÖR RL=110-220V DC  
 ÄNDRA FRÅN 111 TILL 112 OCH 121 TILL 122 VID RL=48-60V DC

ELCAD ID PS/render		DATE 2004-06-2121:48		1MRK 001 064-EA		Issued in ARCADE	
		Prepared 96-10-24 H RAZA/LB		CIRCUIT DIAGRAM/KRETSSCHEMA			
		Approved 97-06-12 P JENÄKER		RAZK 221 1-PHASE UNDERIMPEDANCE PROT.			
				RAZK 221 1-FAS UNDERIMPEDANSSKYDD			
Rev Ind	Revision	Reg No	7411	Resp dep	PS	Rev ind	1 97.45
Based on		Pcl	890.557			Lang	82
				<b>ABB</b> ABB Network Partner AB		<b>1MRK 001 065-EA</b>	
						Sheet	1
						Cont	