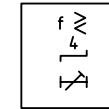
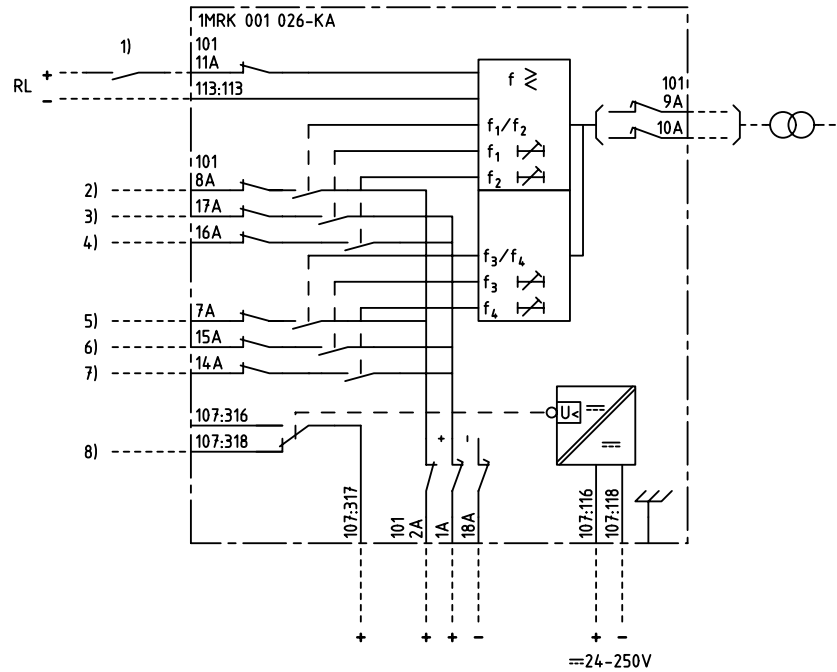


We reserve all rights in this document and in the information contained therein. Reproduction, use for other than intended purposes, without the written consent of ABB Network Partner AB is strictly forbidden.



OVER AND/OR UNDERFREQUENCY PROTECTION
ÖVER OCH/ELLER UNDERFREKVENSSKYDD

- 1) RESETTING OF INDICATION
ÅTERSTÄLLNING AV INDIKERING
- 2) START STAGE 1/STAGE 2
START STEG 1/STEG 2
- 3) TRIPPING STAGE 1
UTLÖSNING STEG 1
- 4) TRIPPING STAGE 2
UTLÖSNING STEG 2
- 5) START STAGE 3/STAGE 4
START STEG 3/STEG 4
- 6) TRIPPING STAGE 3
UTLÖSNING STEG 3
- 7) TRIPPING STAGE 4
UTLÖSNING STEG 4
- 8) LOSS OF AUXILIARY VOLTAGE
BORTFALL AV HJÄLPSPÄNNING

ELCAD ID TPTD/render

DATE 2004-06-22:06

Issued in ARCADE

| | | | | | |
|--|-------------|------------------------------|-----------------------------------|---------------------------------------|------------------------|
| Prepared 96-07-04 C-H EINVALL/J ERIKSSON | | TERMINAL DIAGRAM/UTTAGSSHEMA | | | |
| Approved 96-08-28 Peter Jenøker | | RAFK FREQUENCY PROTECTION | | | |
| | | RAFK FREKVENSSKYDD | | Resp dep TPTD Rev ind 1 97.05 Lang en | |
| Rev Ind | Revision | Reg No 7411 | ABB ABB Network Partner AB | | MRK 001 026-KAA |
| Based on | Pcl 890.546 | | | | |