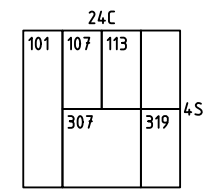
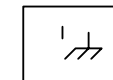
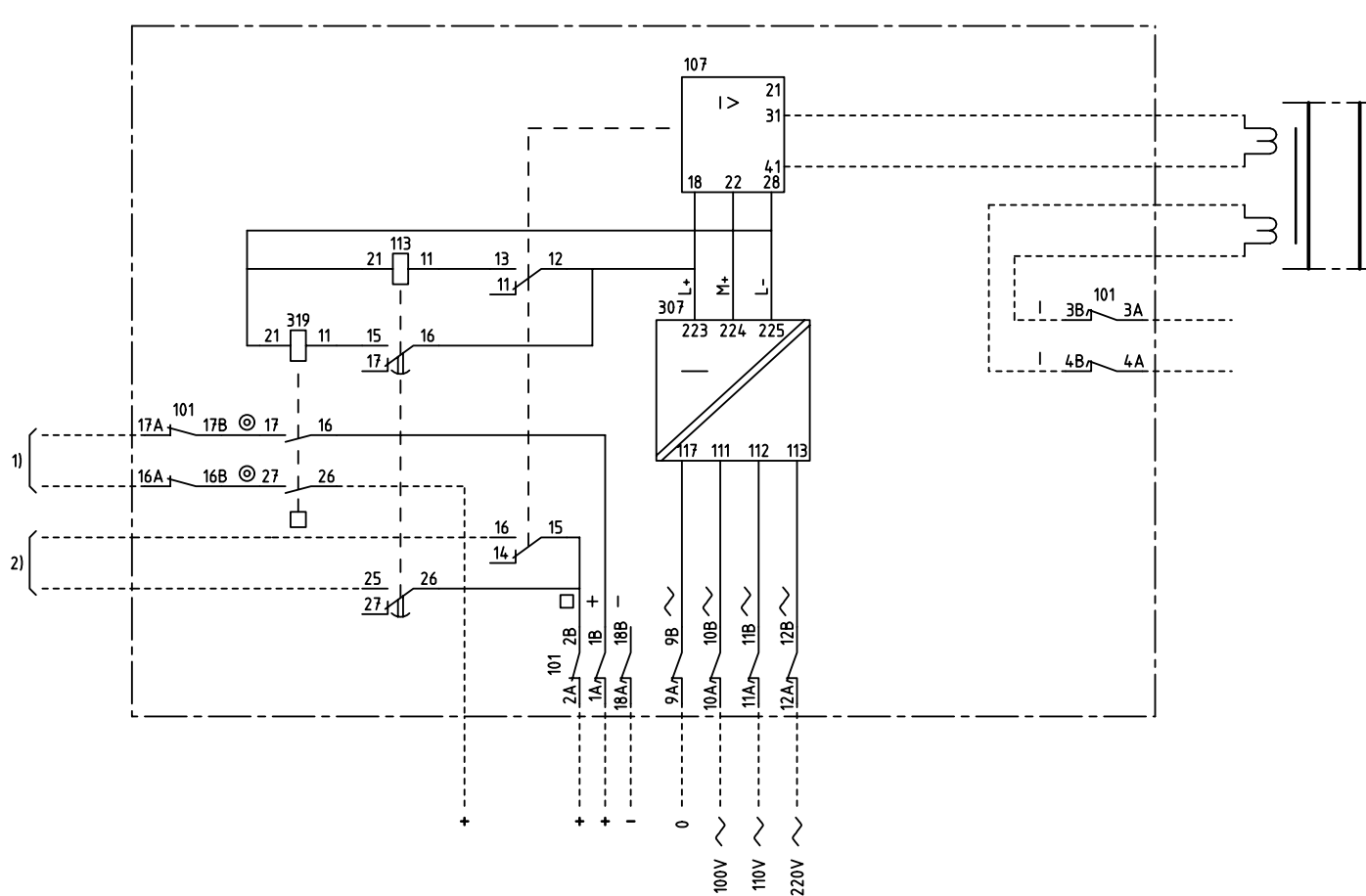


We reserve all rights in this document and in the information contained therein. Reproduction, use for other purposes or distribution without the written consent of ABB Network Partner AB is strictly forbidden.



- 101 RTXP 18
- 107 RXIK 1
- 113 RXKL 1
- 307 RXTUB 2
- 319 RXME 18

- 1) TRIPPING OF CB:S ETC.
UTLÖSNING AV BRYTARE M.M.
- 2) ALARM ETC.
SIGNAL M.M.

ELCAD ID TPTD/render DATE 2004-06-230:34

RK 649 101-AD

Prepared 95-11-13 C-H EINVALL/J ERIKSSON		CIRCUIT DIAGRAM/KRETSSCHEMA	
Approved 96-06-11 Peter Jenøker		RARIC SHAFT CURRENT PROTECTION	
		RARIC LAGERSTRÖMSSKYDD	
Rev Ind	Revision	Reg No 7429	Resp dep TPTD Rev ind -
Based on	Pcl 890 649		Lang 82
		ABB ABB Network Partner AB	
		7429 010-AD	
		Sheet 1	
		Cont	