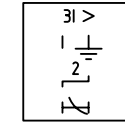
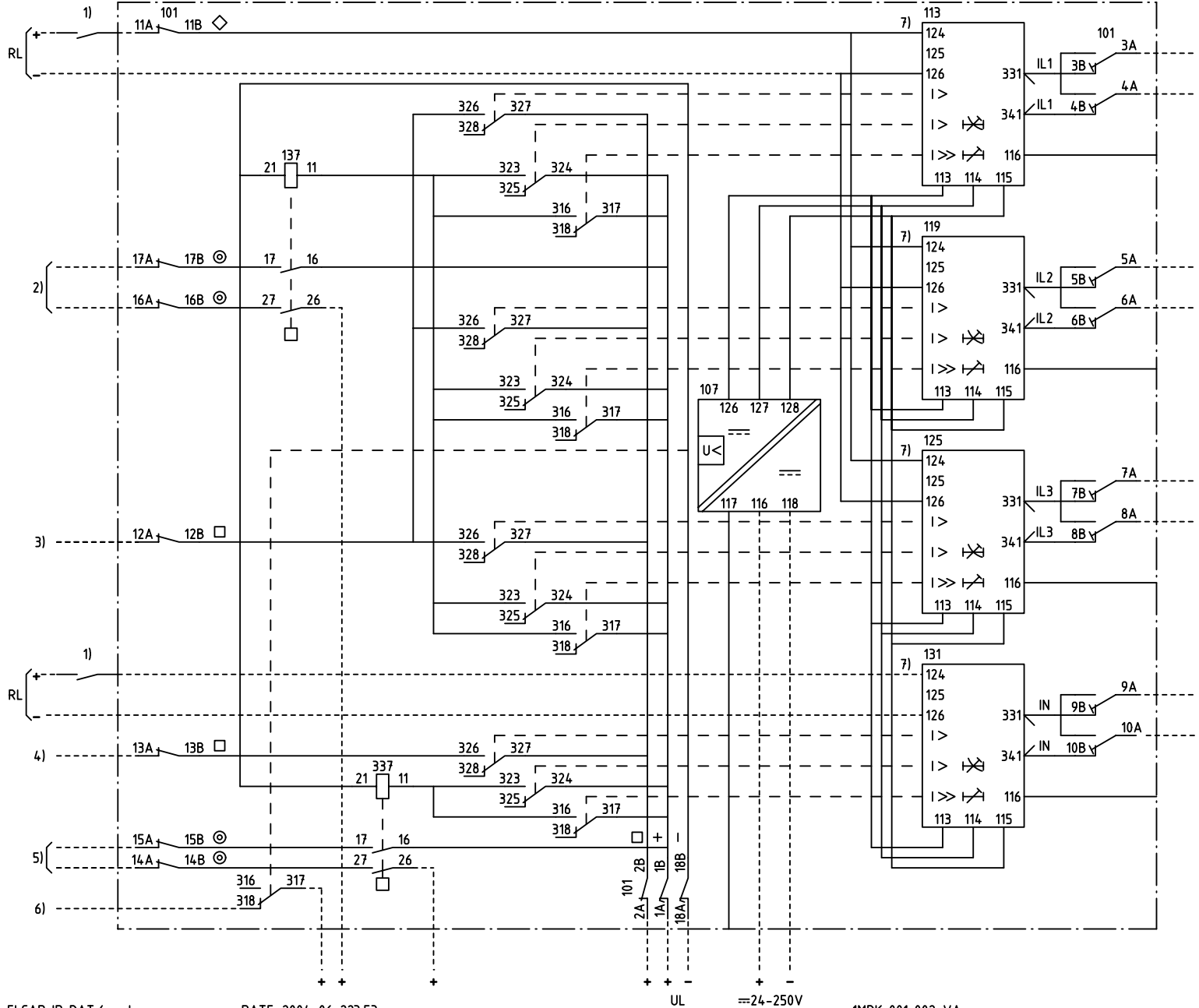


We reserve all rights in this document and in the information contained therein. Reproduction, use for purposes not intended by the copyright owner or in any manner whatsoever is strictly forbidden. © ABB Network Partner AB



3-PHASE OVERCURRENT AND EARTH-FAULT PROTECTION
3-FAS ÖVERSTRÖMS- OCH JORDFELSSKYDD

42C					
101	107	113	119	125	131
					137
					337

101	RTXP 18
107	RXTUG 22H
113 119	RXIDK 2H
125 131	RXIDK 2H
137 337	RXME 18

- 1) ENABLE, BLOCK OR INCREASED OP.VALUE FRIGIVNING, BLOCKERING ELLER ÖKAT FUNKTIONSVÄRDE
- 2) OVERCURRENT, TRIPPING ÖVERSTRÖM, UTLÖSNING
- 3) START OVERCURRENT START ÖVERSTRÖM
- 4) START EARTH-FAULT START JORDFEL
- 5) EARTH-FAULT, TRIPPING JORDFEL, UTLÖSNING
- 6) LOSS OF AUXILIARY VOLTAGE BORTFALL AV HJÄLPSPÄNNING
- 7) CONNECTED FOR RL=110-220V DC CHANGE FROM 124 TO 125 AT RL=48-60V DC
KOPPLAD FÖR RL=110-220V DC ÄNDRA FRÅN 124 TO 125 VID RL=48-60V DC

ELCAD ID PAT/render DATE 2004-06-223:53 1MRK 001 002-VA Issued in ARCADE

Prepared 96-01-11 HAIDER RAZA/L OLSTAM		CIRCUIT DIAGRAM/KRETSSCHEMA		Resp dep PAT		Rev ind 1 96.49		Lang 82	
Approved 96-02-09 P JENÄKER		RAIDK 4 OVERCURRENT PROTECTION		Rev dep PAT		Rev ind 1 96.49		Lang 82	
		RAIDK 4 ÖVERSTRÖMSSKYDD		Rev dep PAT		Rev ind 1 96.49		Lang 82	
Rev Ind	Revision	Reg No	7411	ABB ABB Network Partner AB		1MRK 001 003-VA		Sheet 1	
Based on		Pcl	890 474					Cont	