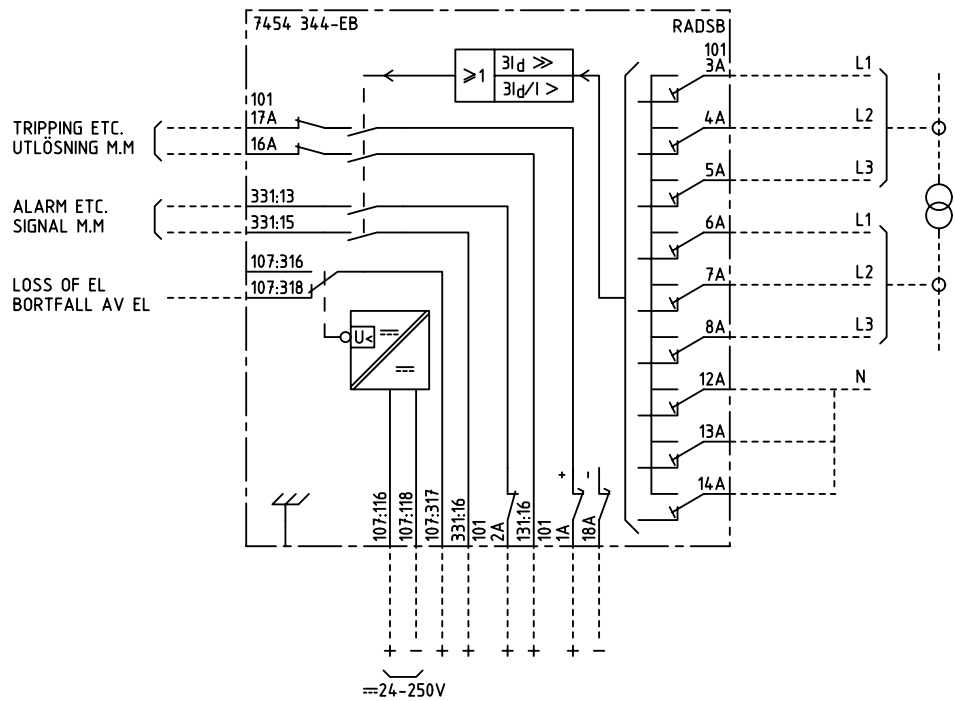


We reserve all rights in this document and in the information contained therein. Reproduction, use for other purposes or distribution without the written consent of ABB Network Partner AB is strictly forbidden.



3Id/I>

TRANSFORMER DIFFERENTIAL PROTECTION  
 WITH TWO INPUT CIRCUIT RESTRAINTS  
 TRANSFORMATORDIFFERENTIALSKYDD  
 MED TVÅ STABILISERANDE INGÅNGAR

ELCAD ID PAT/render

DATE 2004-06-2223:54

Issued in ARCADE

Prepared 83 02 C-H EINVALL		TERMINAL DIAGRAM/UTTAGSSCHEMA			
Approved 83 02 P JENÄKER		RADS B DIFFERENTIAL PROTECTION			
		RADS B DIFFERENTIALSKYDD		Resp dep PAT	Rev ind 2 96 45
Rev Ind	Revision	Reg No 7454	ABB ABB Network Partner AB		Lang 82
Based on	Pcl 890.625			7454 344-EAA	Sheet 1
				Cont	

1

2

3

4

5

6