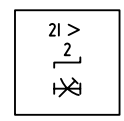
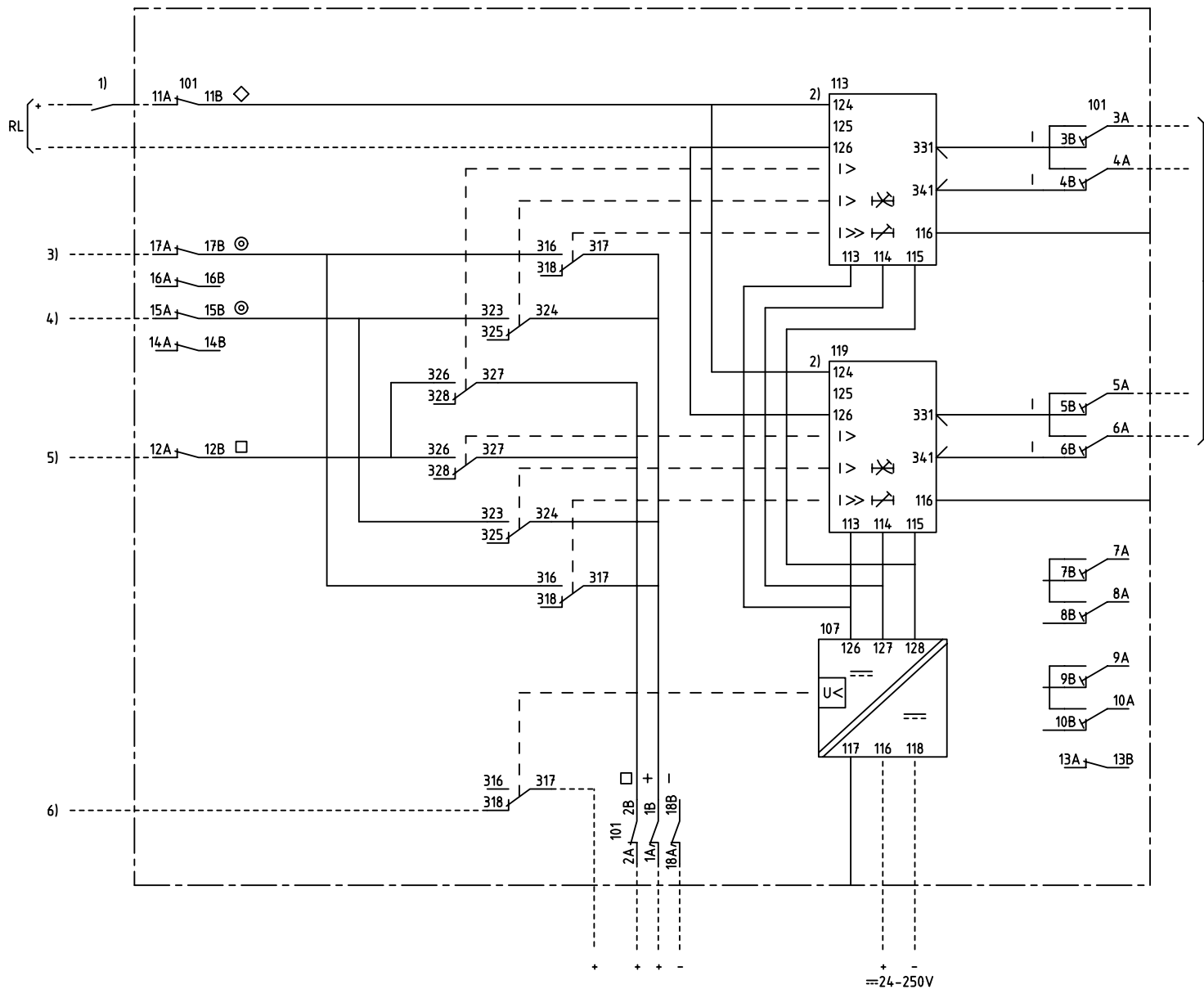
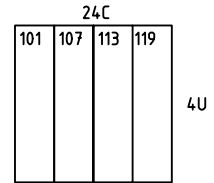


We reserve all rights in this document and in the information contained therein. Reproduction, use for other than intended purposes, or distribution without the written permission of ABB Network Partner AB is strictly forbidden.



2-PHASE OVERCURRENT PROTECTION
2-FAS ÖVERSTRÖMSKYDD



101 RTXP 18
107 RXTUG 22H
113 119 RXIDK 2H

- 1) ENABLE, BLOCK OR INCREASED OP.VALUE
FRIGVNING, BLOCKERING ELLER ÖKAT
FUNKTIONSVÄRDE
- 2) CONNECTED FOR RL=110-220V DC
CHANGE FROM 124 TO 125
AT RL=48-60V DC
KOPPLAD FÖR RL=110-220V DC
ÄNDRA FRÅN 124 TO 125
VID RL=48-60V DC
- 3) HIGH SET STAGE, TRIPPING
HÖGSTRÖMSSTEG, UTLÖSNING
- 4) LOW SET STAGE, TRIPPING
LÅGSTRÖMSSTEG, UTLÖSNING
- 5) LOW SET STAGE, START
LÅGSTRÖMSSTEG, START
- 6) LOSS OF AUXILIARY RELAY
BORTFALL AV HJÄLPSPÄNNING

ELCAD ID TPT/render DATE 2004-06-228:01 IMRK 001002-KA Issued in ARCADE

Prepared 96-01-17 C-H EINVALL/L. OLSTAM		CIRCUIT DIAGRAM/KRETSSCHEMA		Resp dep TPT		Rev ind 3 99.16		Lang 82	
Approved 96-02-09 R KARLSSON		RAIDK 2 OVERCURRENT PROTECTION		Rev ind 3 99.16		Lang 82		Sheet 1	
Rev Ind Revision		Reg No 7411		Rev ind 3 99.16		Lang 82		Sheet 1	
Based on		Pcl 890 474		Rev ind 3 99.16		Lang 82		Sheet 1	
				ABB ABB Network Partner AB		IMRK 001 003-KA		Cont	