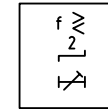
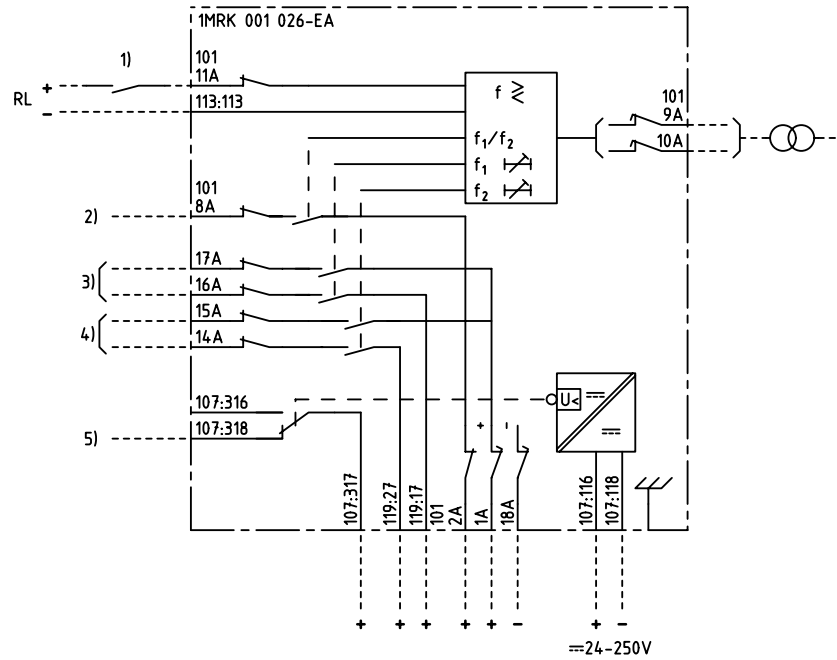


We reserve all rights in this document and in the information contained therein. Reproduction, use for other than intended purposes without the written consent of ABB Network Partner AB is strictly forbidden.



OVER- OR UNDERFREQUENCY PROTECTION
ÖVER ELLER UNDERFREKVENSSKYDD

- 1) RESETTING OF INDICATION
ÅTERSTÄLLNING AV INDIKERING
- 2) START STAGE 1/STAGE 2
START STEG 1/STEG 2
- 3) TRIPPING STAGE 1
UTLÖSNING STEG 1
- 4) TRIPPING STAGE 2
UTLÖSNING STEG 2
- 5) LOSS OF AUXILIARY VOLTAGE
BORTFALL AV HJÄLPSPÄNNING

ELCAD ID PTUA/TPTD/render DATE 2004-10-069:14

Issued in ARCADE

Prepared 96-07-04 C-H EINVALL/J ERIKSSON		TERMINAL DIAGRAM/UTTAGSSCHEMA	
Approved 96-08-28 Peter Jenøker		RAFK FREQUENCY PROTECTION	
		RAFK FREKVENSSKYDD	
Rev Ind	Revision	Reg No 7411	Resp dep PTUA/TPTD Rev Ind 1 97.05
Based on	Pcl 890.546	Lang en	
		Sheet 1	
		Cont	

ABB ABB Network Partner AB

MRK 001 026-EAA