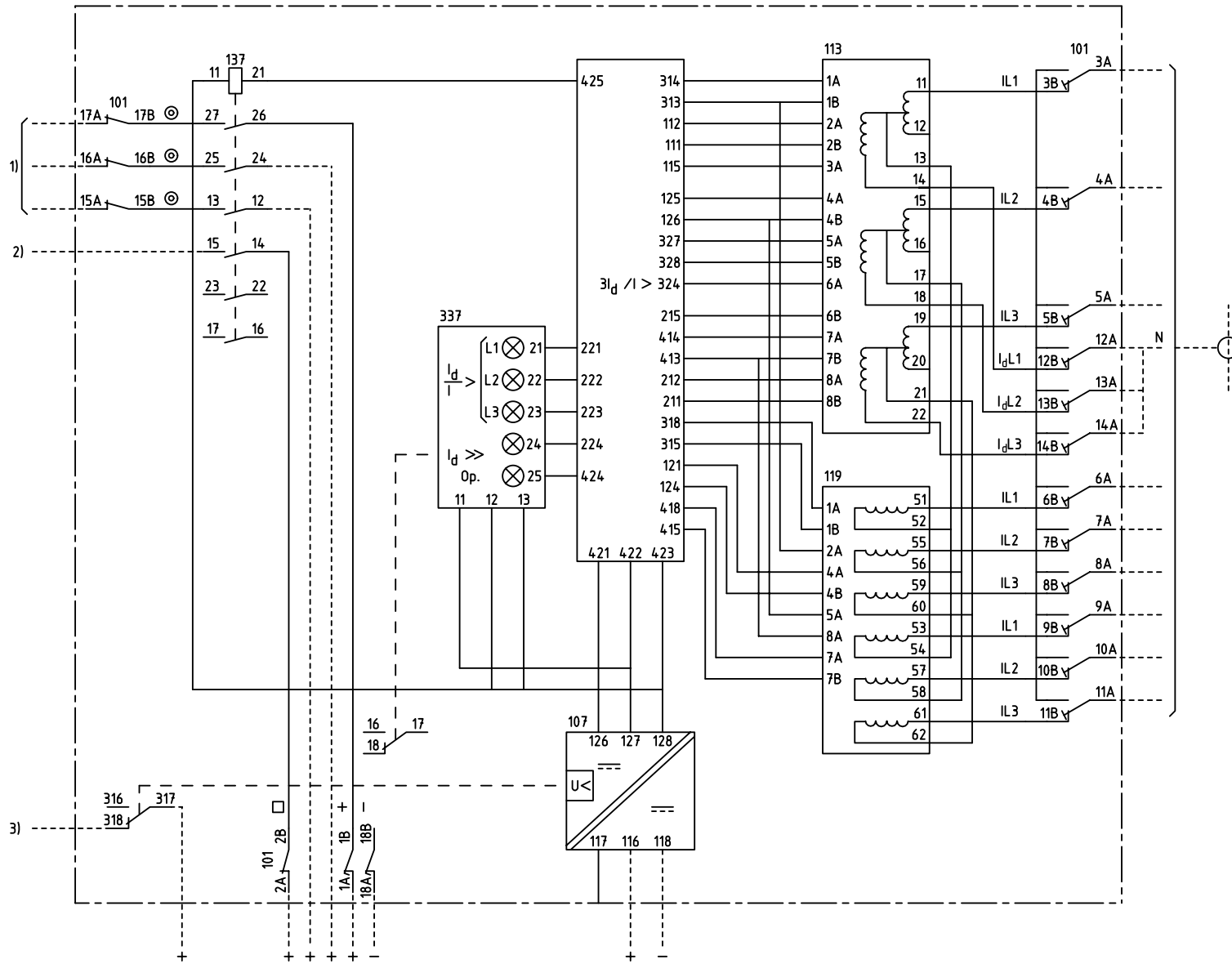


We reserve all rights in this document and in the information contained therein. Reproductions, use for other than intended purposes, or distribution without the written consent of ABB Automation Technologies AB is strictly forbidden.



$3 I_d / I >$

DIFFERENTIAL PROTECTION WITH THREE INPUT CIRCUIT RESTRAINTS AND PHASE INDICATOR
DIFFERENTIALSKYDD MED TRE STABILISERANDE INGÅNGAR OCH FASINDIKERING

42C					
101	107	113	119	125	137
					337
					4U

- 101 RTXP 18
- 107 RXTUG 22H
- 113 RTQTB 060
- 119 RTQTB 061
- 125 RXDSC 4
- 137 RXMS 1
- 337 RXSGA 1

- 1) TRIP ETC.
UTLÖSNING M.M
- 2) ALARM ETC.
SIGNAL M.M
- 3) LOSS OF AUXILIARY VOLTAGE
BORTFALL AV HJÄLPSPÄNNING

Customer drw no	Prep. PTUA/ TPTD C-H Einval/JE 1999-09-14	1MRK 000 319-BA	
	Appr. PTUA/ Roger Karlsson 1999-09-14	Circuit Diagram	
	Resp. dept PTUA/ TPTD	Differential relay	
		Document number	Conf. sh/ No of sh
		1MRK000320-BA	
		Lang. 82	Rev. 2
			Sheet 1



Document status: Approved