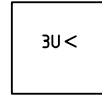
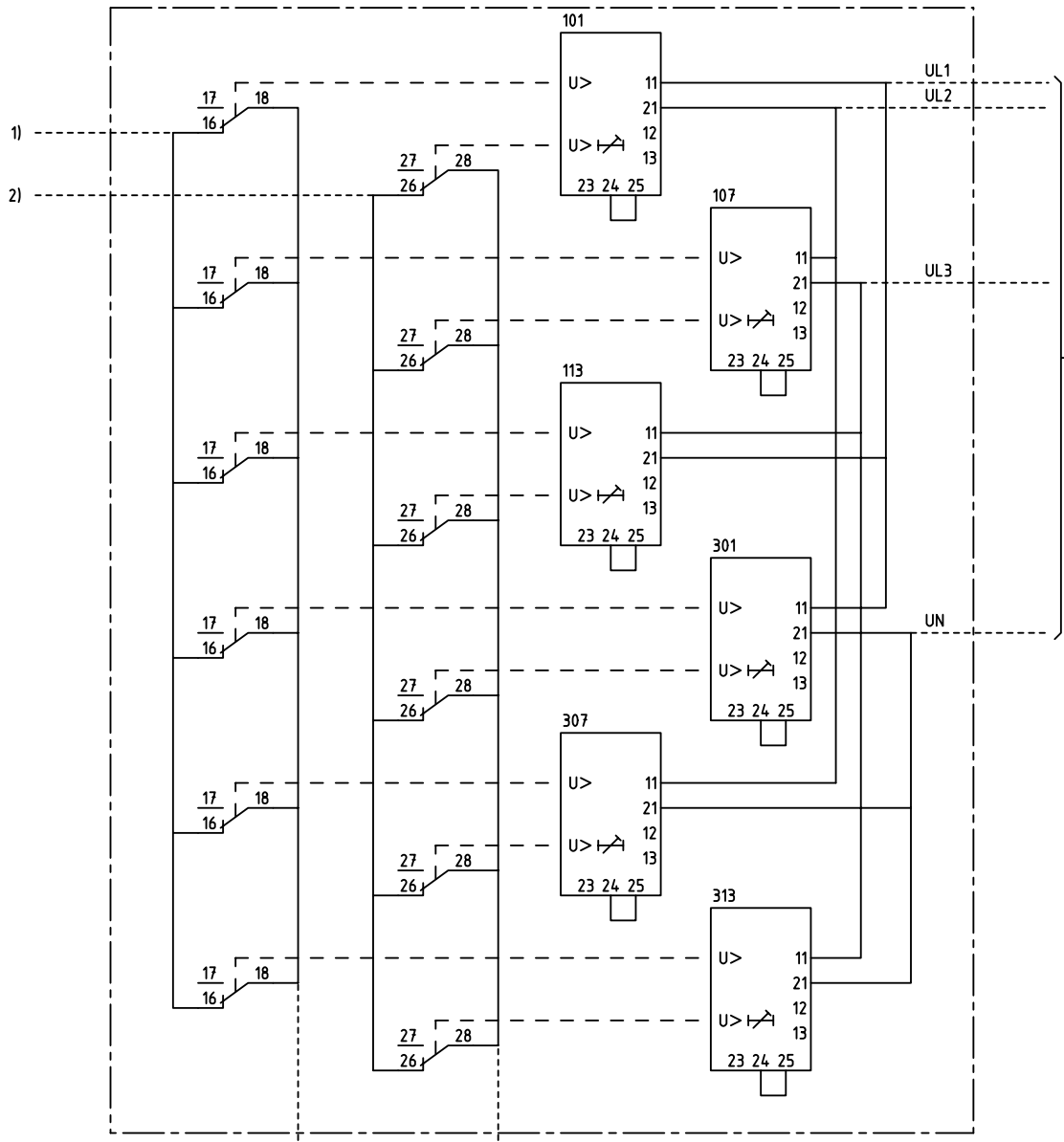
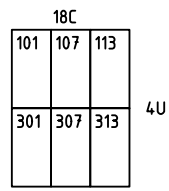


We reserve all rights in this document and in the information contained therein. Reproduction, use for other than intended purposes, or distribution without the written permission of ABB Automation Technologies AB is strictly forbidden. © ABB Automation Technologies AB



3-PHASE UNDERVOLTAGE PROTECTION  
 (PHASE-TO-PHASE AND PHASE-TO-NEUTRAL)  
 3-FAS UNDERSPÄNNINGSSKYDD  
 (FAS- OCH HUVUDSPÄNNING)



101,107,113, 301,307,313 RXEDA 1  
 RXEDA 1

- 1) TRIPPING  
UTLÖSNING
- 2) ALARM  
SIGNAL

Customer drw no	Prep. PTUA/ TPTD C-H Einval/JE 1999-06-16	1MRK 001 079-PA	
	Appr. PTUA/ Roger Karlsson 1999-08-20	Circuit Diagram	
	Resp. dept PTUA/ TPTD	Undervoltage protection	
		Document number	Conf. sh/ No of sh
Based on	<b>ABB</b> ABB Automation Technologies	1MRK001080-PA	
		Lang. 82	Rev. -
			Sheet 1

Document status: Approved