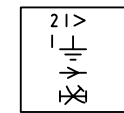
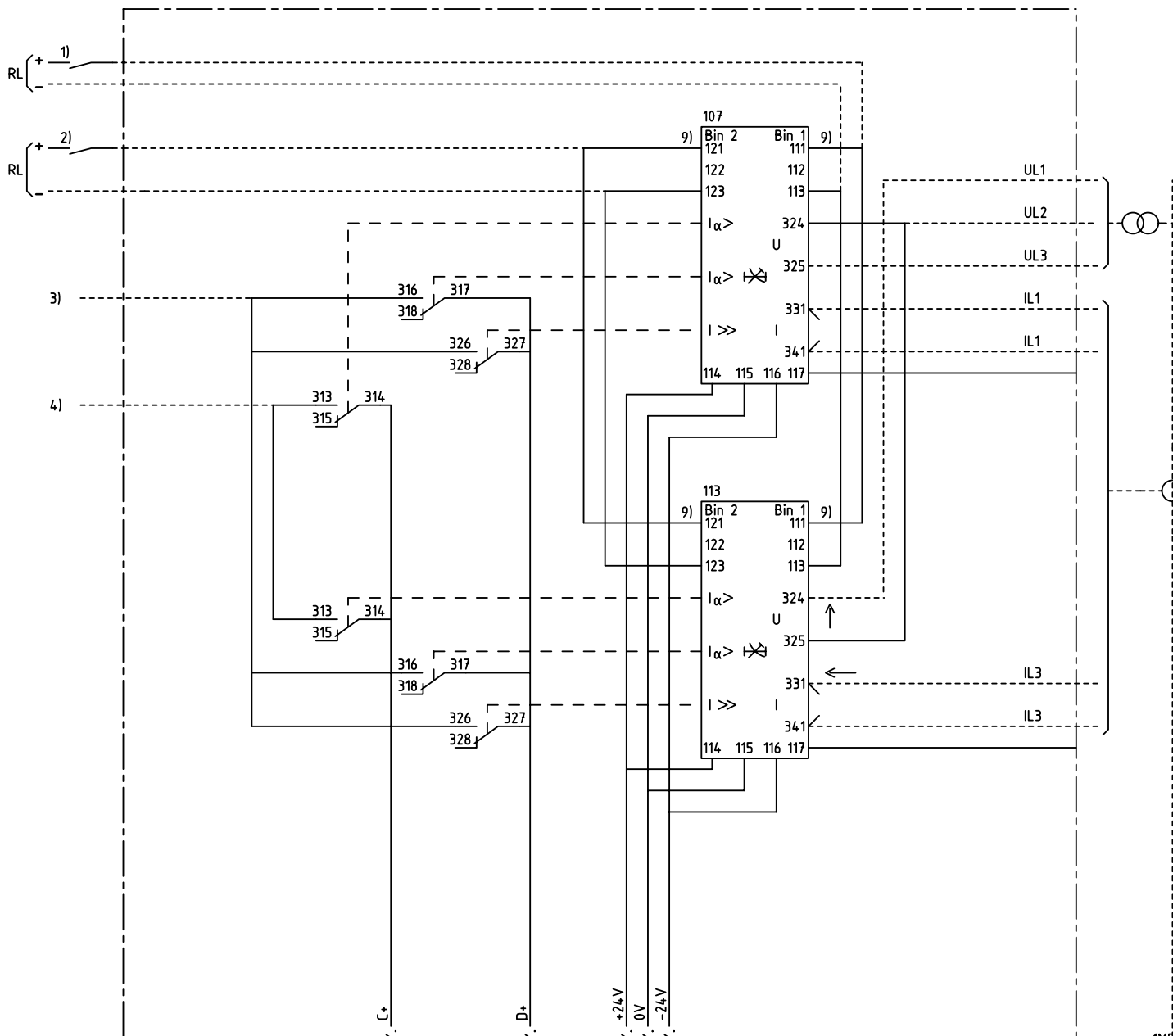


We reserve all rights in this document and in the information contained therein. Reproduction, use or distribution of this document without the written authority of ABB Automation Technologies AB is strictly forbidden. © ABB Automation Technologies AB



DIRECTIONAL 2-PH OVERCURRENT AND EARTH FAULT PROTECTIONS, DELAYED
RIKTADE 2-FAS ÖVERSTRÖMS- OCH JORDFELSSKYDD, FÖRDRÖJDA

24C			
101	107	113	119
4U			

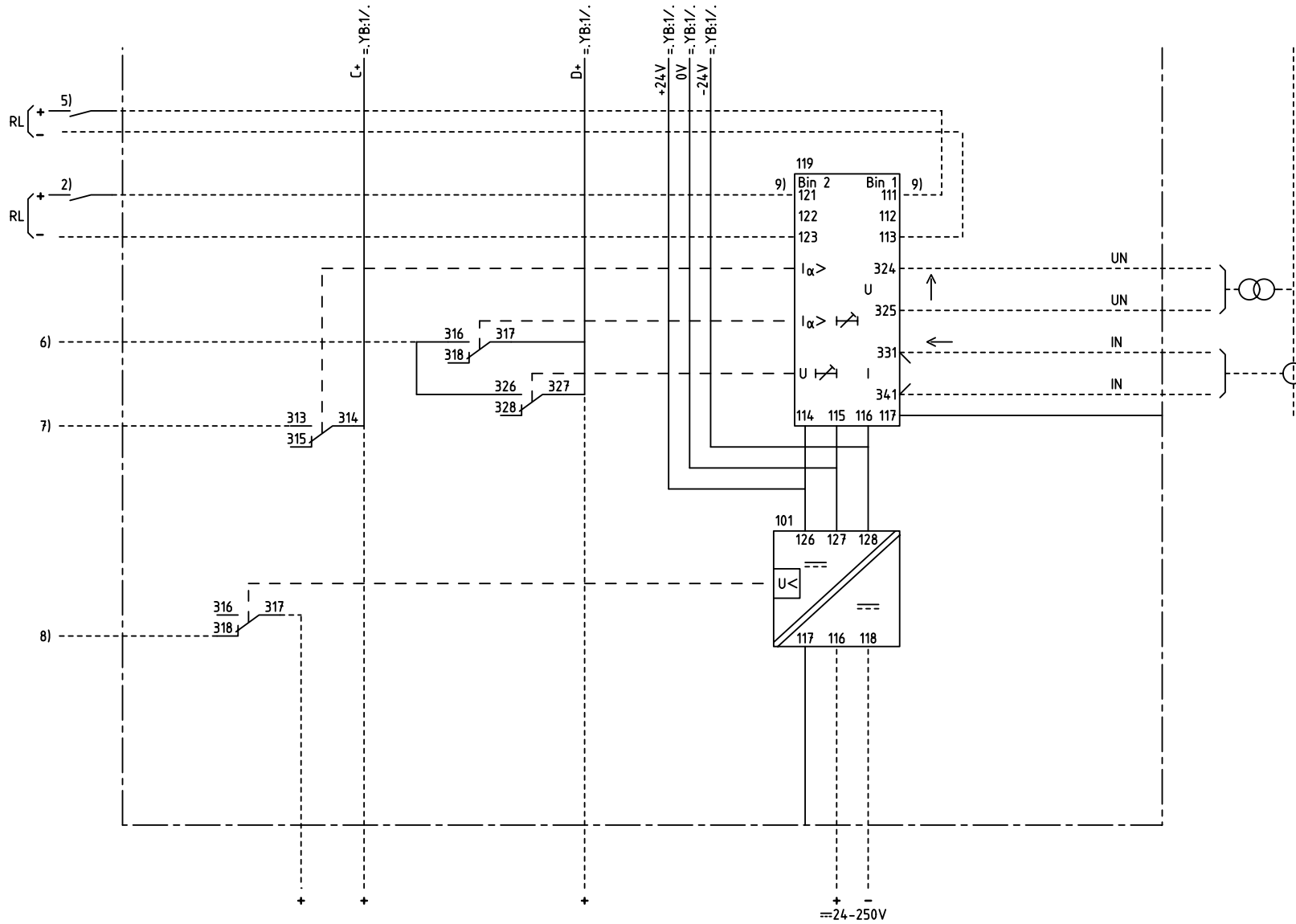
101 RXTUG 22H
107,113 RXPDK 21H
119 RXPDK 22H

- 1) BLOCKING OF THE FUNCTION I_{α} BLOCKERING AV FUNKTIONEN I_{α}
- 2) RESETTING OF INDICATION ÅTERSTÄLLNING AV INDIKERING
- 3) DIR. OVERCURRENT/OVERCURRENT, TRIPPING RIKTAD ÖVERSTRÖM/ÖVERSTRÖM, UTLÖSNING
- 4) DIRECTIONAL OVERCURRENT, START RIKTAD ÖVERSTRÖM, START
- 5) CHANGING OF CHARACTERISTIC ANGLE α 0° TO -90° OR -90° TO 0°
ÄNDRING AV KARAKTERISTISK VINKEL α 0° TILL -90° OR -90° TILL 0°
- 6) EARTH FAULT, TRIPPING JORDFEL, UTLÖSNING
- 7) EARTH FAULT, START JORDFEL, START
- 8) LOSS OF AUXILIARY VOLTAGE BORTFALL AV HJÄLPSPÄNNING
- 9) CONNECTED FOR RL=110-220V DC CHANGE FROM 111 TO 112 AND 121 TO 122 AT RL=48-60V DC
KOPPLAD FÖR RL=110-220V DC ÄNDRÅ FRÅN 111 TILL 112 OCH 121 TILL 122 VID RL=48-60V DC

Customer drw no		Prep. PTUA/ TPTD H Raza/JE 1999-03-29		1MRK 001 062-YB	
Appr. PTUA/ Roger Karlsson 1999-06-01		Dir. O/C and E/F prot.			
Resp. dept PTUA/ TPTD		Document number			
Based on		ABB Automation Technologies		1	
		Document number		Lang. Rev. Sheet	
		1MRK001062-YB		82 - 1	

Document status: Approved

We reserve all rights in this document and in the information contained therein. Reproduction, use for other than intended purposes, or distribution without the written permission of ABB Automation Technologies AB is strictly forbidden. © ABB Automation Technologies AB



Customer drw no	Prep. PTUA/ TPTD H Raza/JE	1999-03-29	Circuit Diagram	Conf. sh/ No of sh
	Appr. PTUA/ Roger Karlsson	1999-06-01		
	Resp. dept PTUA/ TPTD		Document number	Lang.
Based on				
	ABB ABB Automation Technologies		Rev.	Sheet
			-	2

Document status: Approved