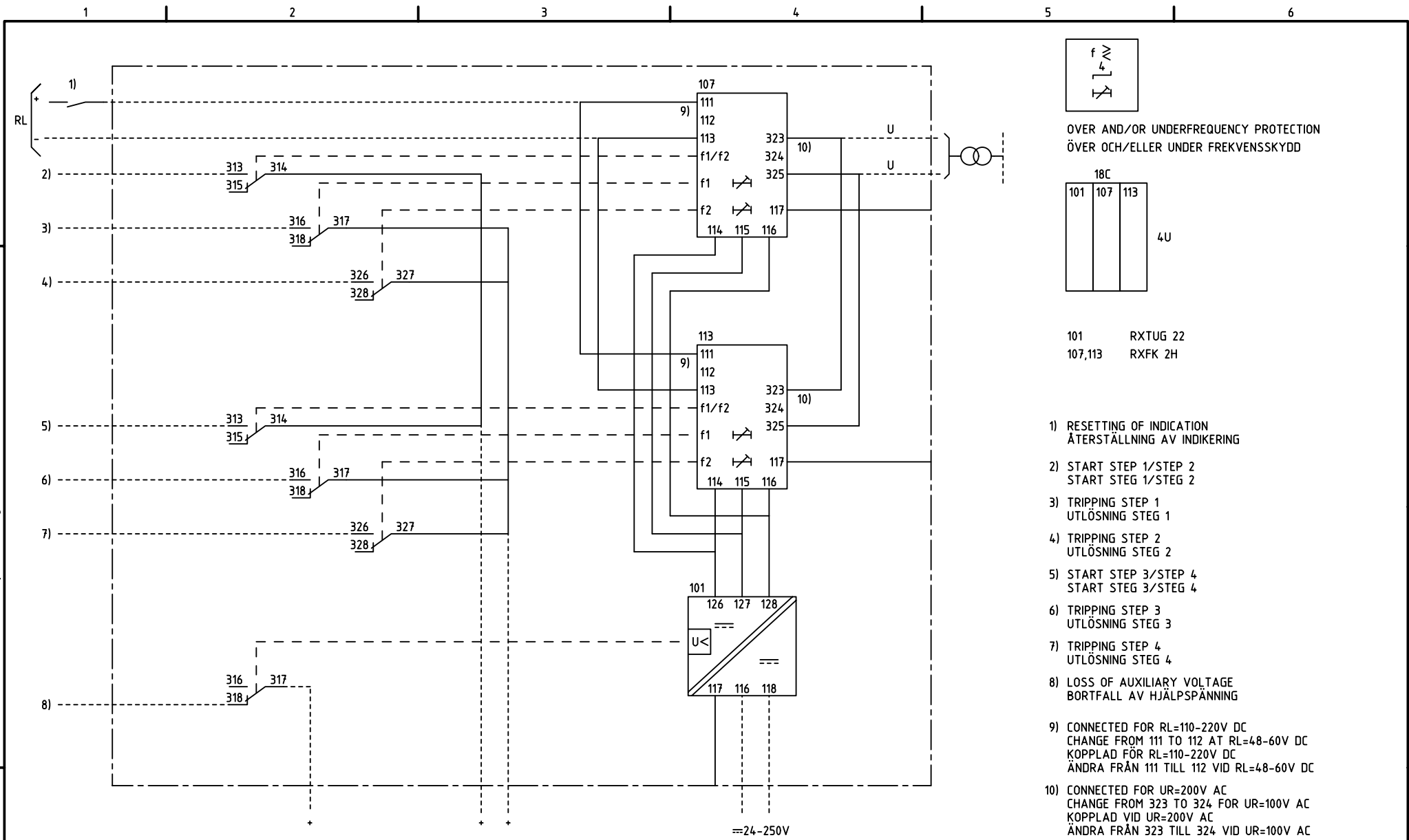


We reserve all rights in this document and in the information contained therein. Reproductions, use for other than intended purposes, or distribution without the written permission of ABB Network Partner AB is strictly forbidden.



- 1) RESETTING OF INDICATION  
ÅTERSTÄLLNING AV INDIKERING
- 2) START STEP 1/STEP 2  
START STEG 1/STEG 2
- 3) TRIPPING STEP 1  
UTLÖSNING STEG 1
- 4) TRIPPING STEP 2  
UTLÖSNING STEG 2
- 5) START STEP 3/STEP 4  
START STEG 3/STEG 4
- 6) TRIPPING STEP 3  
UTLÖSNING STEG 3
- 7) TRIPPING STEP 4  
UTLÖSNING STEG 4
- 8) LOSS OF AUXILIARY VOLTAGE  
BORTFALL AV HJÄLPSPÄNNING
- 9) CONNECTED FOR RL=110-220V DC  
CHANGE FROM 111 TO 112 AT RL=48-60V DC  
KOPPLAD FÖR RL=110-220V DC  
ÄNDRA FRÅN 111 TILL 112 VID RL=48-60V DC
- 10) CONNECTED FOR UR=200V AC  
CHANGE FROM 323 TO 324 FOR UR=100V AC  
KOPPLAD VID UR=200V AC  
ÄNDRA FRÅN 323 TILL 324 VID UR=100V AC

ELCAD ID TPTD/render

DATE 2004-06-224:57

1MRK 001 025-HA

Issued in ARCADE

Prepared 96-10-03 C-H EINVALL/KJ		CIRCUIT DIAGRAM/KRETSSCHEMA		Resp dep TPTD		Rev ind 1 97.05		Lang 82	
Approved 96-10-31 Peter Jenøker		RAFK 2 FREQUENCY PROTECTION		Sheet 1		Cont			
Rev Ind Revision		Reg No 7411		<b>ABB</b> ABB Network Partner AB		<b>1MRK 001 026-HA</b>			
Based on		Pct 890.546							