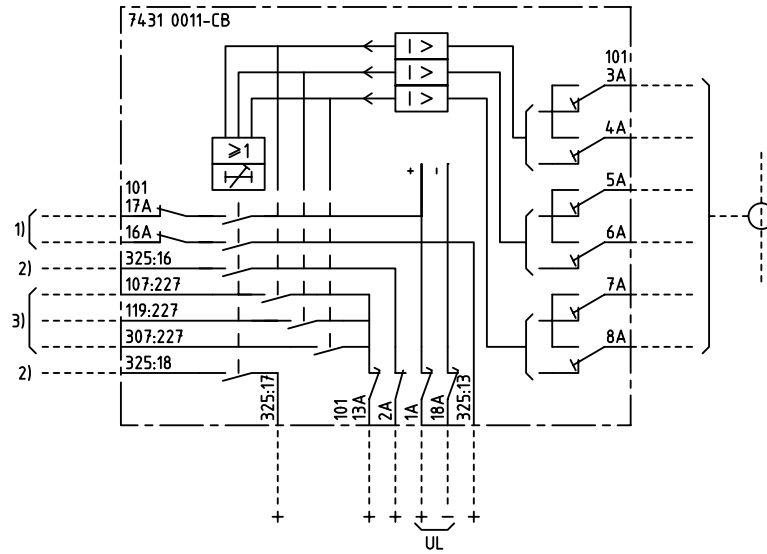


We reserve all rights in this document and in the information contained therein. Reproduction, use for other than intended purposes, or distribution without the written permission of ABB Network Partner AB is strictly forbidden.



3->

3-PHASE OVERCURRENT  
 PROTECTION,  
 DELAYED  
 3-FAS ÖVERSTRÖMSSKYDD,  
 FÖRDRÖJT

1) TRIPPING ETC.  
 UTLÖSNING M.M.  
 2) ALARM ETC.  
 SIGNAL M.M.  
 3) BLOCK, INDICATING, ETC.  
 BLOCK, INDIKERING, M.M.

ELCAD ID PAT/render

DATE 2004-06-233:37

Issued in ARCADE

		Prepared 81 28	C-H EINVALL	TERMINAL DIAGRAM/UTTAGSSCHEMA			
		Approved 81 28	P JENÄKER	3-PHASE OVERCURRENT PROTECTION			
				3-FAS ÖVERSTRÖMSSKYDD		Resp dep PAT	Rev ind 2 96 45
Rev Ind	Revision	Reg No 7431		<b>ABB</b> ABB Network Partner AB		<b>7431 0011-CBA</b>	
Based on		Pcl 890.651					
						Cont	