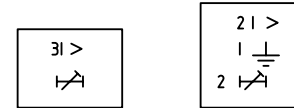
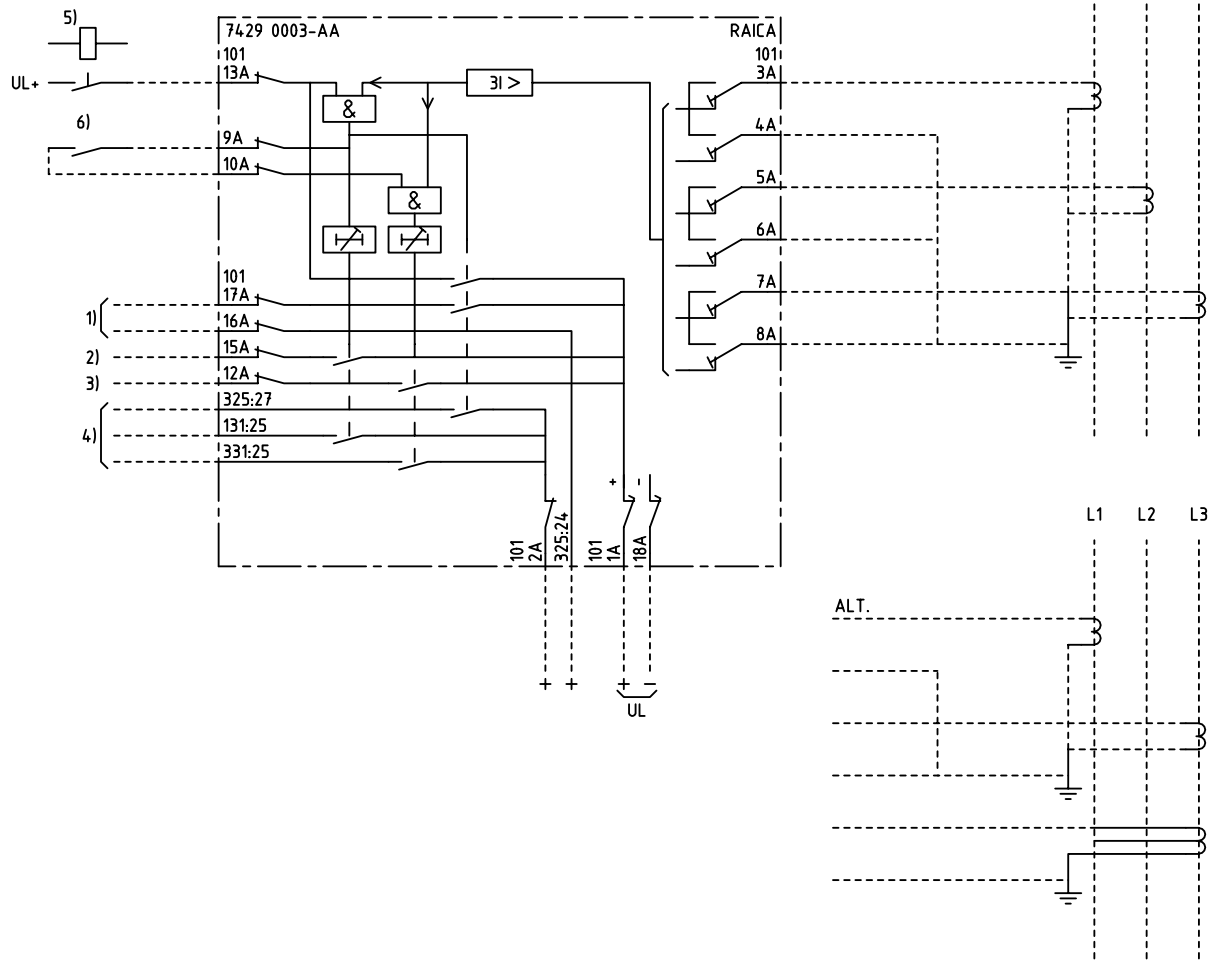


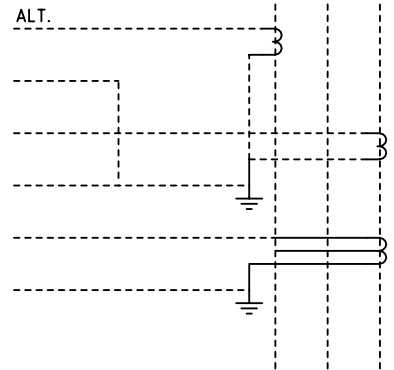
We reserve all rights in this document and in the information contained therein. Reproduction, use for other than intended purposes, or distribution without the written consent of ABB Network Partner AB is strictly forbidden.



BREAKER FAILURE PROTECTION
WITH TWO TIME STEPS,
CURRENT DETECTORS IN 3-PHASES
OR IN 2-PHASES + EARTH

BRYTARFELSSKYDD MED TVÅ TIDSTEG,
STRÖMRELÄER I TRE-FASER
ELLER I 2-FASER + JORD

- 1) TRIPPING OF PRIMARY CIRCUIT BREAKER
UTLÖSNING AV PRIMÄRBRYTARE
- 2) TRIPPING OF BACK-UP CIRCUIT BREAKERS
UTLÖSNING AV RESERVBRYTARE
- 3) TRIPPING ETC., SHORT TIME
UTLÖSNING M.M., KORT TID
- 4) ALARM ETC.
SIGNAL ETC.
- 5) TRIP RELAY IN ANOTHER PROTECTION
UTLÖSNINGSRELÄ I ANNAT SKYDD
- 6) EXTERNAL CONDITION FOR START OF THE
TIME RELAY FOR SHORT TIME
EXTERNT VILLKOR FÖR START AV
TIDRELÄ FÖR KORT TID



ELCAD ID TPTD/render

DATE 2004-06-22:35

Issued in ARCADE

Prepared 81.46		C-H EINVALL		TERMINAL DIAGRAM/UTTAGSSCHEMA			
Approved 81.46		Peter Jenøker		RAICA BREAKER FAILURE PROTECTION			
				BRYTARFELSSKYDD		Resp dep TPTD	
Rev Ind		Revision		Reg No 7429		Rev Ind 2 96.45	
Based on		Pct 890.651		ABB ABB Network Partner AB		Lang 82	
				7429 0003-AAA		Sheet 1	
						Cont	