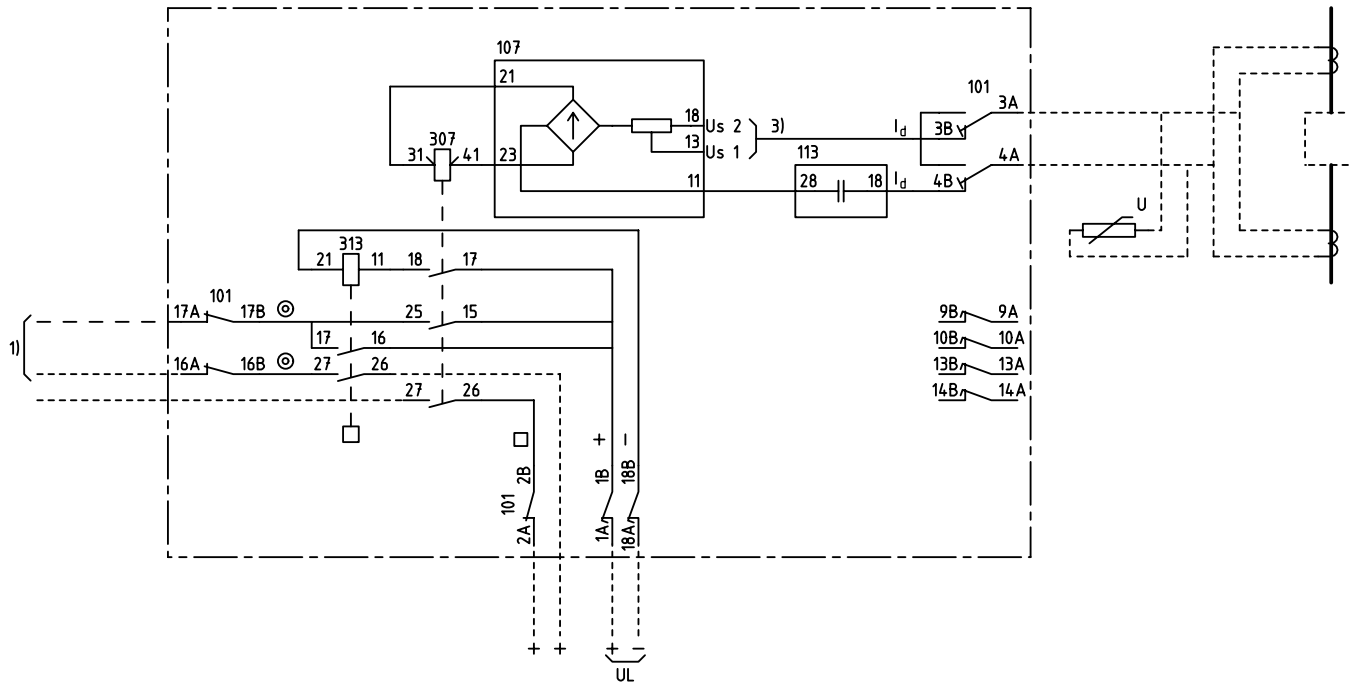


We reserve all rights in this document and in the information contained therein. Reproduction, use for other than intended purposes, or distribution without the written consent of ABB Network Partner AB is strictly forbidden.



$I_d >$

HIGH-IMPEDANCE DIFFERENTIAL PROTECTION FOR U_s 19 TO 100V.
 DIFFERENTIALSKYDD AV HÖGIMPEDANSTYP FÖR U_s 19 TILL 100V.

18C		
101	107	113
	307	313
4U		

- 101 RTXP 18
- 107 RXTLA 1
- 113 RXTCA 1
- 307 RXID 1
- 313 RXME 18

- 1) TRIP ETC.
UTLÖSNING M.M
- 2) ALARM ETC.
SIGNAL M.M
- 3) CONNECTED TO 13 (Us1) AT DELIVERY
VID LEVERANS ANSLUTEN TILL 13 (Us1)

ELCAD ID TPTD/render

DATE 2004-06-225:24

RK 646 007-BA

Issued in ARCADE

		Prepared 74.24	CIRCUIT DIAGRAM/KRETSSHEMA			
		Approved 74.24	RADHD DIFFERENTIAL PROTECTION			
			DIFFERENTIALSKYDD		Resp dep TPTD	Lang 82
Rev Ind	Revision	Reg No 7417	ABB ABB Network Partner AB		7417 005-BA	
Based on		Pcl 890.646				
					Cont	