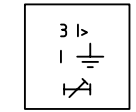
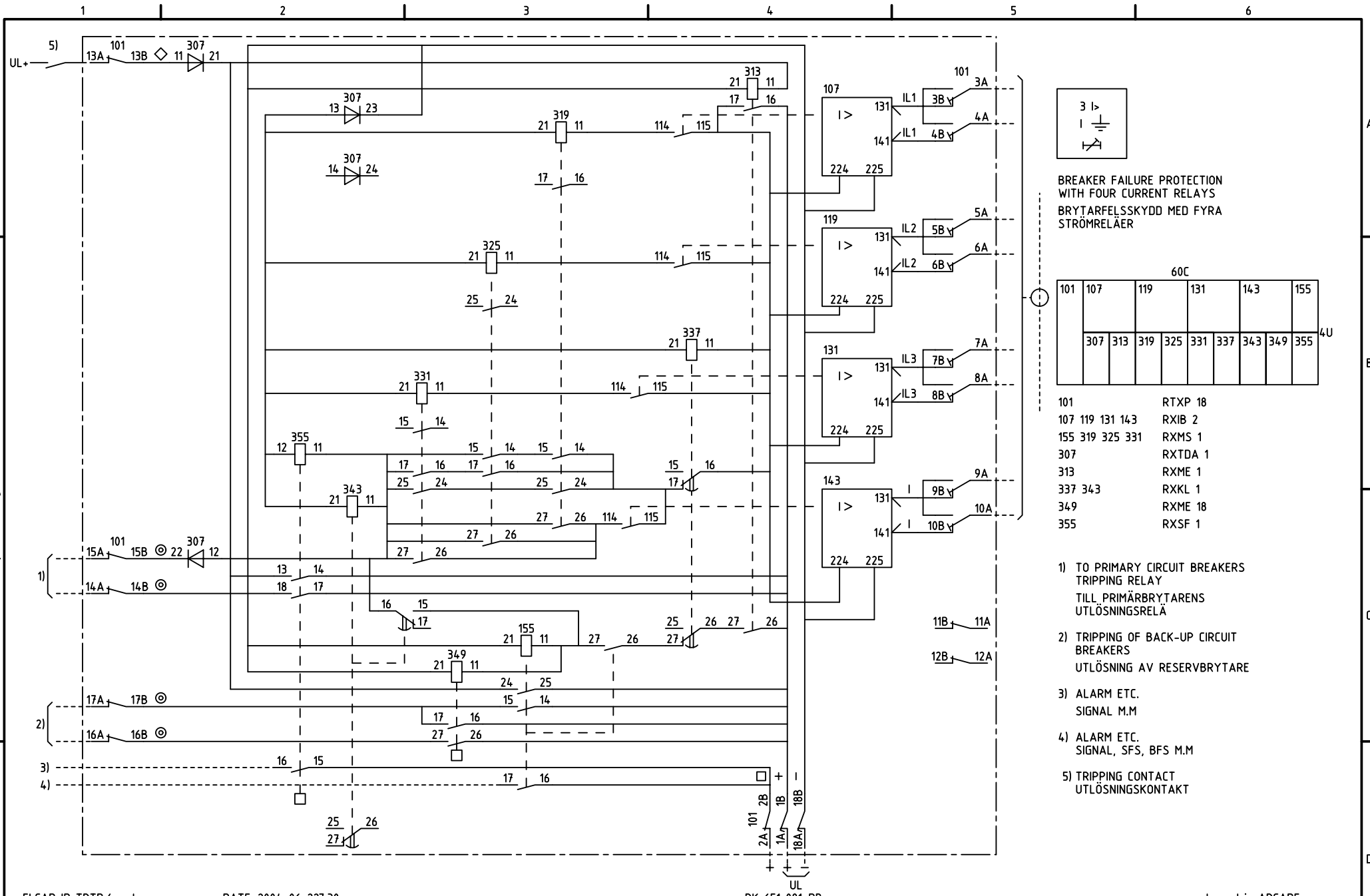


We reserve all rights in this document and in the information contained therein. Reproduction, use for other than intended purposes, or distribution without the written permission of ABB Network Partner AB is strictly forbidden.



BREAKER FAILURE PROTECTION WITH FOUR CURRENT RELAYS
BRYTARFELSSKYDD MED FYRA STRÖMRELÄER

60C					
101	107	119	131	143	155
307	313	319	325	331	337
343	349	355			

101	RTXP	18
107 119 131 143	RXIB	2
155 319 325 331	RXMS	1
307	RXTDA	1
313	RXME	1
337 343	RXKL	1
349	RXME	18
355	RXSF	1

- 1) TO PRIMARY CIRCUIT BREAKERS TRIPPING RELAY
TILL PRIMÄRBRYTARENS UTLÖSNINGSRELÄ
- 2) TRIPPING OF BACK-UP CIRCUIT BREAKERS
UTLÖSNING AV RESERVBRYTARE
- 3) ALARM ETC.
SIGNAL, S.F.S.
- 4) ALARM ETC.
SIGNAL, S.F.S, BFS, M.M
- 5) TRIPPING CONTACT
UTLÖSNINGSKONTAKT