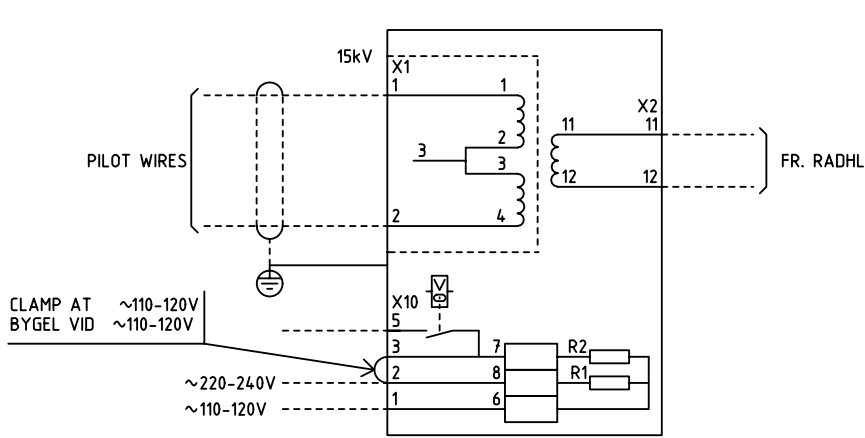


We reserve all rights in this document and in the information contained therein. Reproduction, use for other than intended purposes, or distribution without the written consent of ABB Network Partner AB is strictly forbidden.



INSULATION TRANSFORMER IN BOX WITH HEATER  
ISOLERTRANSFORMATOR I LÅDA MED VÄRMARE

ELCAD ID PAT/render

DATE 2004-06-223:57

RK 612 006-AC

Issued in ARCADE

Prepared 82 17 N BRANDT		CIRCUIT DIAGRAM/KRETSSCHEMA			
Approved 82 17 P JENÄKER		INSULATE TRANSFORMER			
		ISOLERTRANSFORMATOR		Resp dep PAT Rev ind 4 96 45 Lang 82	
Rev Ind	Revision	Reg No 7434	<b>ABB</b> ABB Network Partner AB		7434 056-AB
Based on	Pcl 890.612				
					Cont

1

2

3

4

5

6