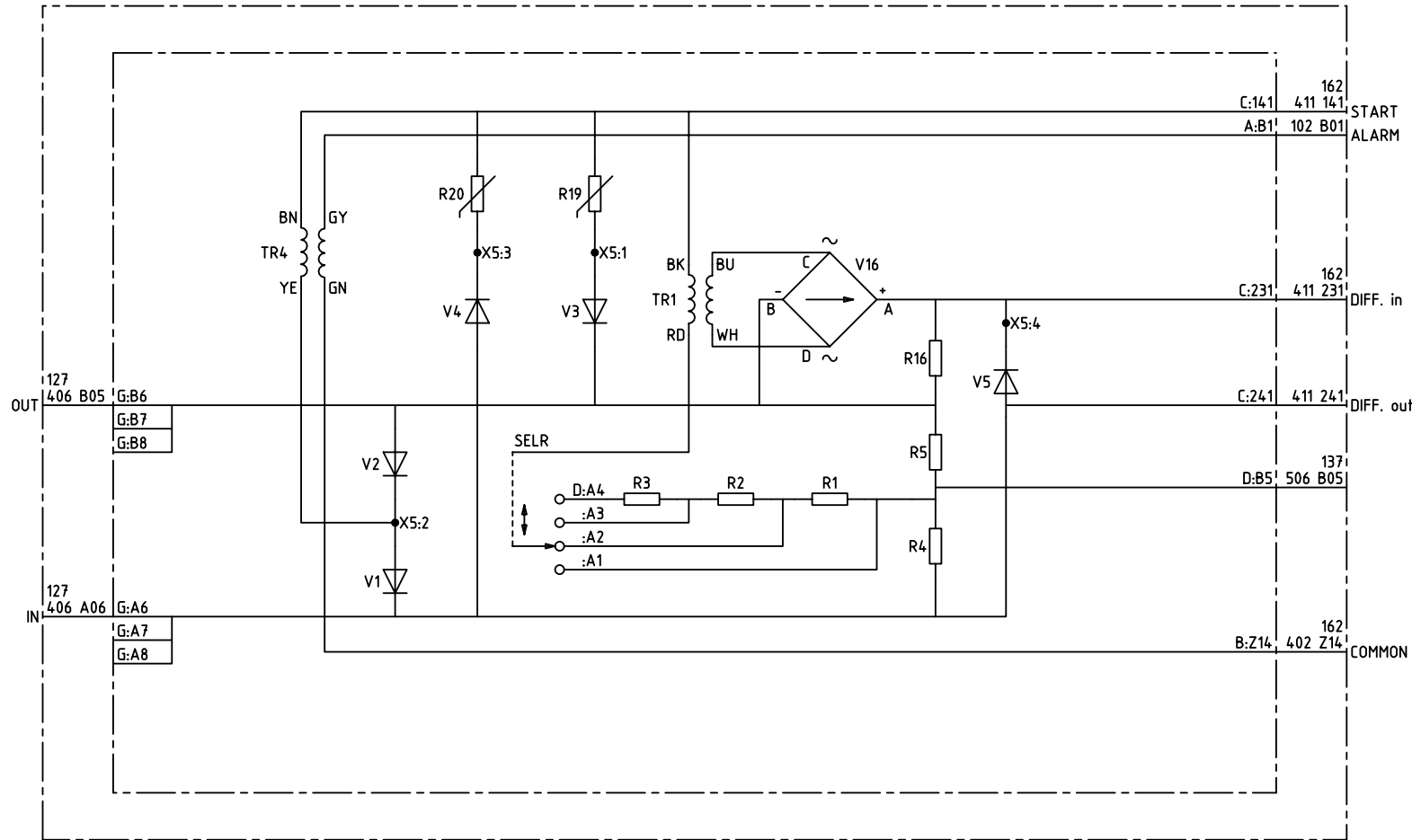


We reserve all rights in this document and in the information contained therein. Reproductions, use for other than the intended purpose, without the written consent of ABB Network Partner AB is strictly forbidden.



ELCAD ID PS/render

DATE 2004-06-2220:19

Issued in ARCADE

Prepared 93.42 N BRANDT		CIRCUIT DIAGRAM/KRETSSCHEMA			
Approved 93.42 Peter Jenaker		RLHE 101 COMPARETOR UNIT			
		KOMPARETORENHET		Resp dep PS Rev ind 4 98-02-06 Lang 82	
Rev Ind	Revision	Reg No	7451	7451 440-AA	
Based on		Pcl	890.638	Sheet 1	
				Cont	

1

2

3

4

5

6