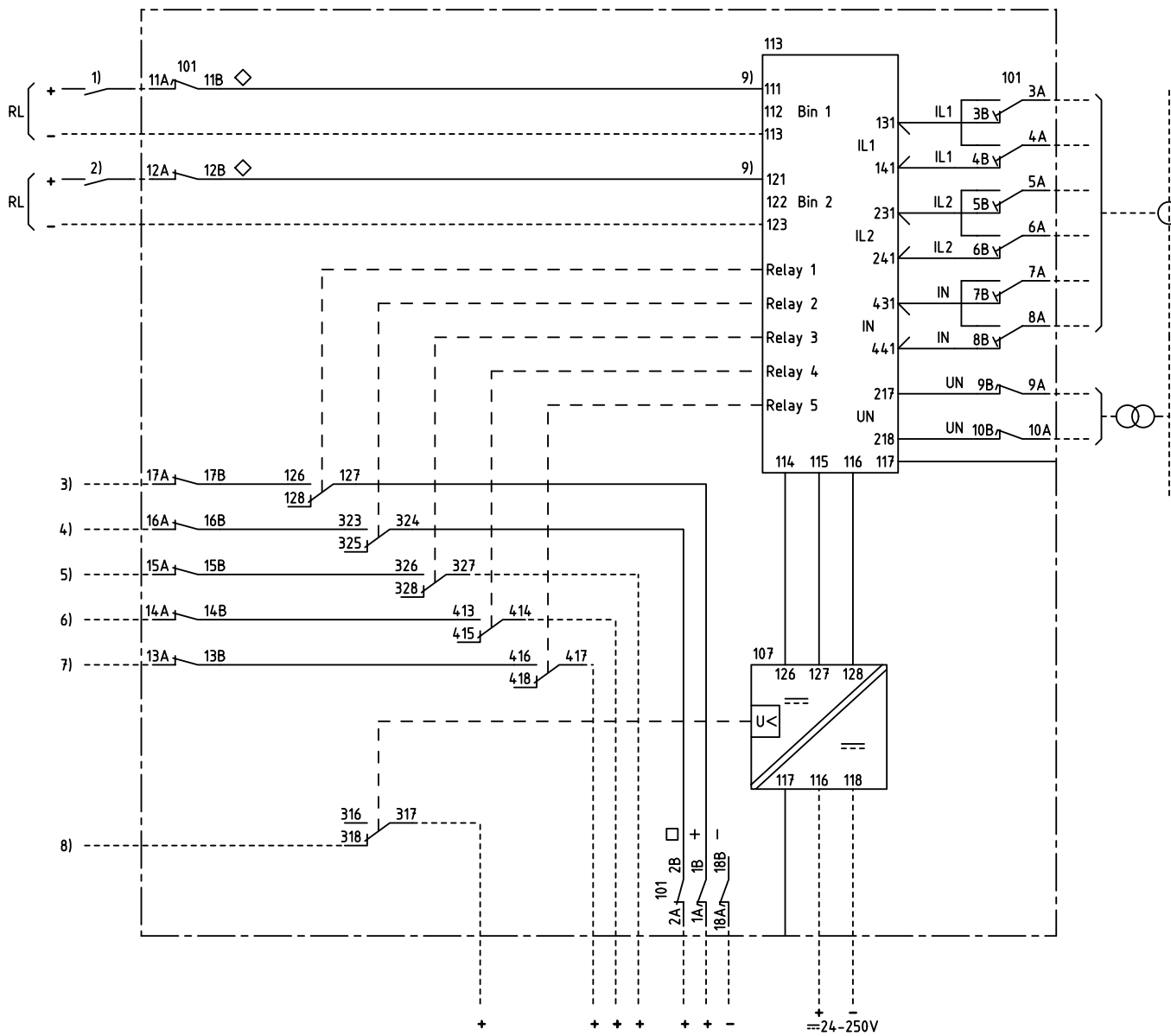
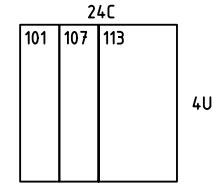


We reserve all rights in this document and in the information contained therein. Reproduction, use for other than intended purposes, or distribution without the written permission of ABB Automation Technologies AB is strictly forbidden.



MULTI-FUNCTION OVERCURRENT AND DIR. EARTH-FAULT PROTECTION



101 RTXP 18
107 RXTUG 22H
113 RXHL 421

- 1), 2) BINARY INPUT, PROGRAMMABLE
- 3)-7) RELAY OUTPUTS 1-5, PROGRAMMABLE FUNCTION
- 8) LOSS OF AUXILIARY VOLTAGE
- 9) CONNECTED FOR RL=110-220V DC
CHANGE FROM 111 TO 112 AND 121 TO 122 AT RL=48-60V DC

PROGRAMMABLE FUNCTIONS FOR BINARY INPUTS:
BLOCKING/ENABLING |>, |>>, |>>>, DIR. IN>, UN>
THERMAL RESET 0, BREAKER FAILURE EXTERNAL START,
CHANGING OF CHARACTERISTIC ANGLE α 0° TO 90° OR -90° TO 0°;
ALTERNATIVE SETTINGS; RESET OF LED INDICATIONS.

PROGRAMMABLE FUNCTIONS FOR BINARY OUTPUTS:
START AND TRIP |>, |>>, |>>>, DIR. IN>, UN>;
THERMAL ALARM 0; THERMAL TRIP 0;
BREAKER FAILURE RE-TRIP; BREAKER FAILURE BACK-UP TRIP;
ALTERNATIVE SETTINGS; IN SERVICE

BINARY INPUT OPTIONS:
CIRCUIT-BREAKER CLOSED; CIRCUIT-BREAKER READY;
BLOCKING OF AUTORECLOSING; AUTORECLOSING EXTERNAL ON.

BINARY OUTPUT OPTIONS:
AUTORECLOSING ON; AUTORECLOSING READY;
AUTORECLOSING STARTED;
AUTORECLOSING PULSE TO CIRCUIT-BREAKER;
AUTORECLOSING UNSUCCESSFUL; INTENTIONAL OVERREACH TRIP.

1MRK 001 097-BA

Customer drw no	Prep. PTUA/ TPTD H Raza/JE	2000-05-29	Circuit Diagram	Cont. sh/ No of sh
	Appr. PTUA/ Roger Karlsson	2000-05-29	Multi-f dir. O/C prot.	
	Resp. dept PTUA/ TPTD			
Based on	ABB Automation Technologies		Document number	Lang. en
			1MRK001098-BA	Rev. A
				Sheet 1

Document status: Approved