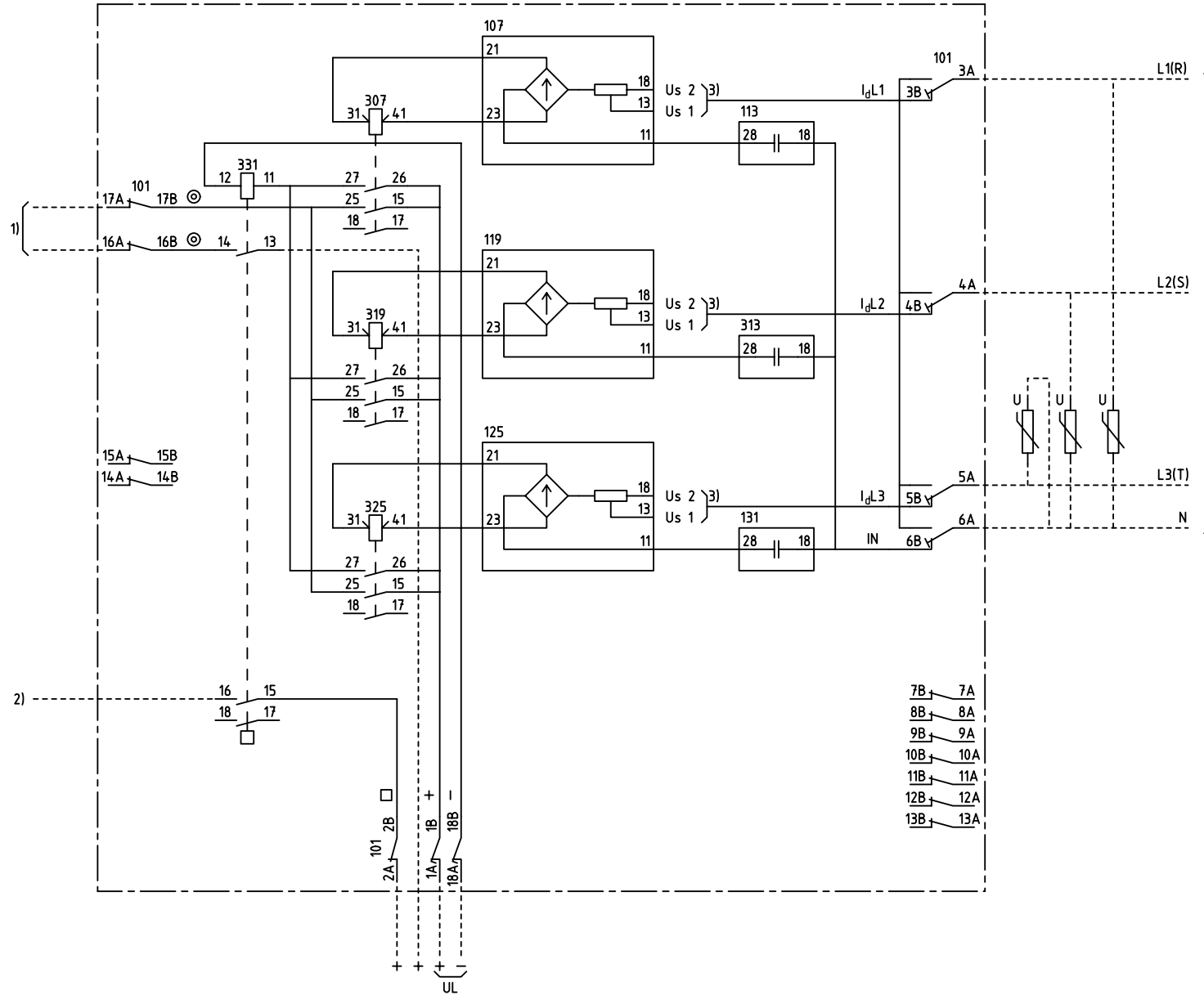


We reserve all rights in this document and in the information contained therein. Reproduction, use for advertising or promotional purposes, copying, or distribution is strictly forbidden. © ABB Network Partner AB



3I<sub>d</sub> >

3-PHASE HIGH-IMPEDANCE DIFFERENTIAL PROTECTION FOR Us ≥ 19V  
 3-FAS DIFFERENTIALSKYDD AV HÖGIMPEDANSTYP FÖR Us ≥ 19V

| 36C |     |     |     |     |     |
|-----|-----|-----|-----|-----|-----|
| 101 | 107 | 113 | 119 | 125 | 131 |
|     | 307 | 313 | 319 | 325 | 331 |

101 RTXP 18  
 107 119 125 RXTLA 1  
 113 131 313 RXTCA 1  
 307 319 325 RXID 1  
 331 RXSF 1

- 1) TRIPPING ETC. UTLÖSNING M.M
- 2) ALARM ETC. SIGNAL M.M
- 3) CONNECTED TO 13 (Us 1) AT DELIVERY VID LEVERANS ANSLUTEN TILL 13 (Us 1)

- 7B → 7A
- 8B → 8A
- 9B → 9A
- 10B → 10A
- 11B → 11A
- 12B → 12A
- 13B → 13A

|                     |          |                     |           |                    |                                   |                  |              |
|---------------------|----------|---------------------|-----------|--------------------|-----------------------------------|------------------|--------------|
| ELCAD ID PAT/render |          | DATE 2004-06-225:22 |           | RK 646 009-CA      |                                   | Issued in ARCADE |              |
|                     |          | Prepared 94 46      | R ÖSTLUND |                    | CIRCUIT DIAGRAM/KRETSSCHEMA       |                  |              |
|                     |          | Approved 94 46      | P JENÄKER |                    | RADHA DIFFERENTIAL PROTECTION     |                  |              |
|                     |          |                     |           | DIFFERENTIALSKYDD  |                                   |                  | Resp dep PAT |
| Rev Ind             | Revision | Reg No 7417         |           |                    | Rev ind 4 96.45                   |                  | Lang 82      |
| Based on            |          | Pcl 890.646         |           |                    | <b>ABB</b> ABB Network Partner AB |                  | Sheet 1      |
|                     |          |                     |           | <b>7417 015-CA</b> |                                   | Cont             |              |