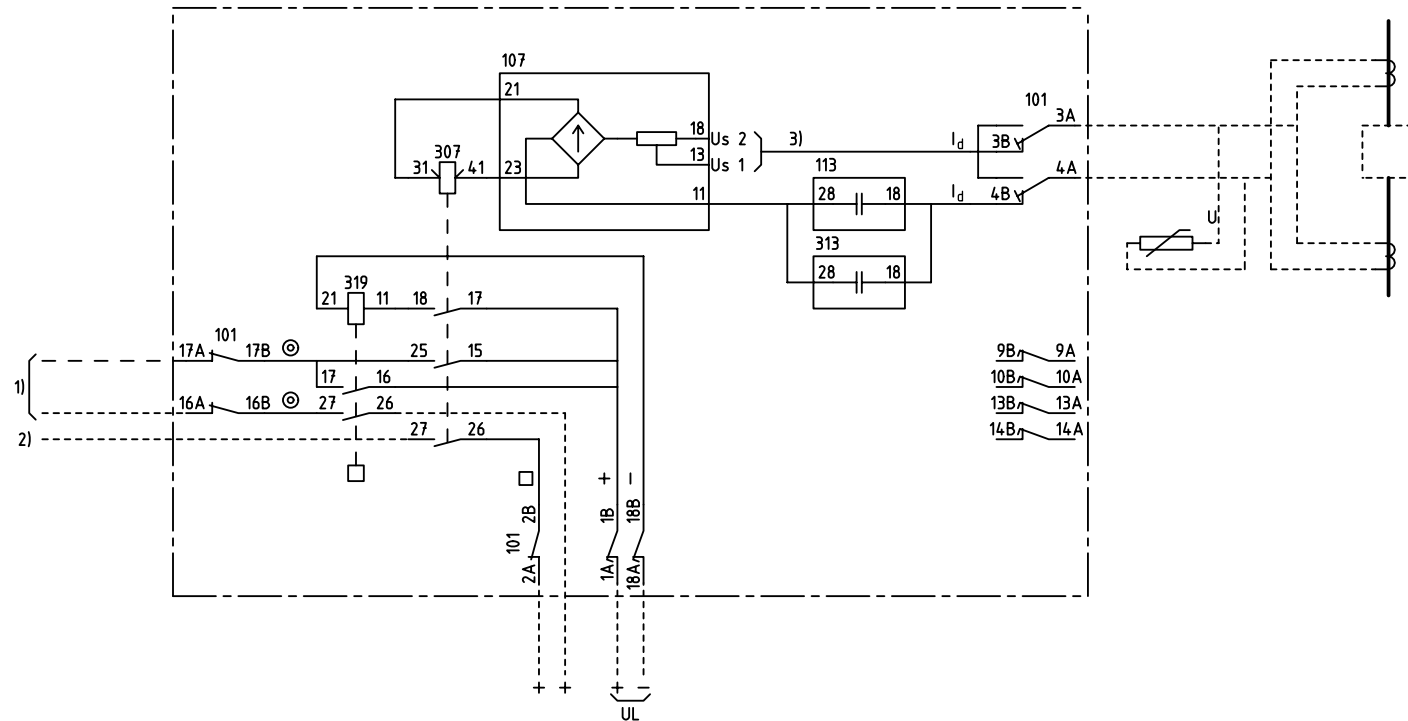


We reserve all rights in this document and in the information contained therein. Reproduction, use for other purposes or distribution without the written consent of ABB Network Partner AB is strictly forbidden.



$I_d >$

HIGH-IMPEDANCE DIFFERENTIAL
 PROTECTION FOR $U_s=10/15V$
 DIFFERENTIALSKYDD AV HÖGIMPEDANS-
 TYP FÖR $U_s=10/15V$

24C			
101	107	113	
	307	313	319
			4U

- 101 RTXP 18
- 107 RXTLA 1
- 113 313 RXTCA 1
- 307 RXID 1
- 319 RXME 18

- 1) TRIP ETC.
UTLÖSNING M.M
- 2) ALARM ETC.
SIGNAL M.M
- 3) CONNECTED TO 13 (Us1) AT
DELIVERY
VID LEVERANS ANSLUTEN
TILL 13 (Us1)

ELCAD ID TPTD/render DATE 2004-06-230:06

RK 646 007-EA

Issued in ARCADE

Prepared 74 24		CIRCUIT DIAGRAM/KRETSSHEMA		Resp dep TPTD		Rev ind 8 96,45		Lang 82	
Approved 74 24		RADHD DIFFERENTIAL PROTECTION		7417 005-EA		Sheet 1			
Rev Ind Revision		Reg No 7417		ABB ABB Network Partner AB		Cont			
Based on		Pcl 890.646							