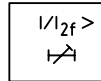
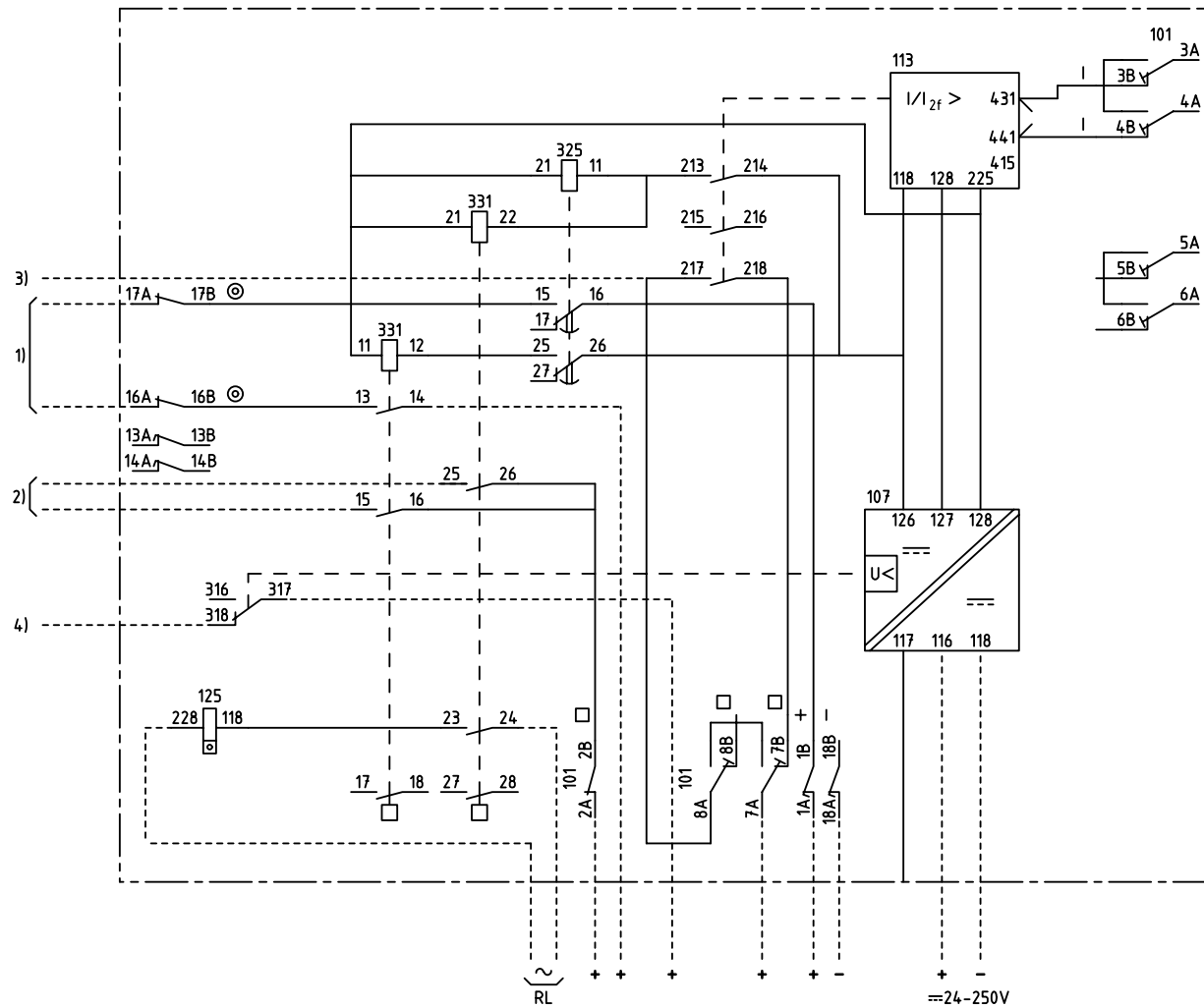
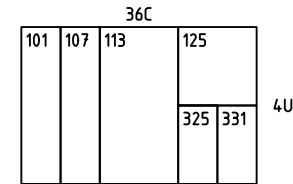


We reserve all rights in this document and in the information contained therein. Reproductions, use for other than intended purposes, or distribution without the written permission of ABB Network Partner AB is strictly forbidden.



EARTH-FAULT OR 1-PHASE OVERCURRENT PROTECTION WITH HARMONIC RESTRAINT  
 JORDFELSSKYDD ELLER 1-FAS ÖVERSTRÖMSSKYDD MED ÖVERTONSSTABILISERING



- 101 RTXP 18
- 107 RXTUG 22H
- 113 RXISB 4
- 125 RXTNI 21
- 325 RXKL 1
- 331 RXSF 1

- 1) TRIPPING ETC.  
UTLÖSNING M.M.
- 2) ALARM ETC.  
SIGNAL M.M.
- 3) ENABLING ETC.  
FRIGIVNING M.M.
- 4) LOSS OF AUXILIARY VOLTAGE  
BORTFALL AV HJÄLPSPÄNNING

ELCAD ID TPTDPAT/render      DATE 2004-06-2222:56      1MRK 000052-CA      Issued in ARCADE

Prepared 93.43		C-H EINVALL/J ERIKSSON		CIRCUIT DIAGRAM/KRETSSCHEMA		Issued in ARCADE	
Approved 93.43		Peter JenøkerP JENÅKER		RAISB EARTH FAULT PROTECTION			
				JORDFELSSKYDD		Resp dep TPTDPAT    Rev ind 3 97.10	
Rev Ind	Revision	Reg No	7432	<b>ABB</b> ABB Network Partner AB		<b>1MRK 000 052-CB</b>	
Based on		Pcl	890.652				
						Sheet	1
						Cont	