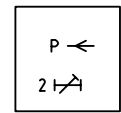
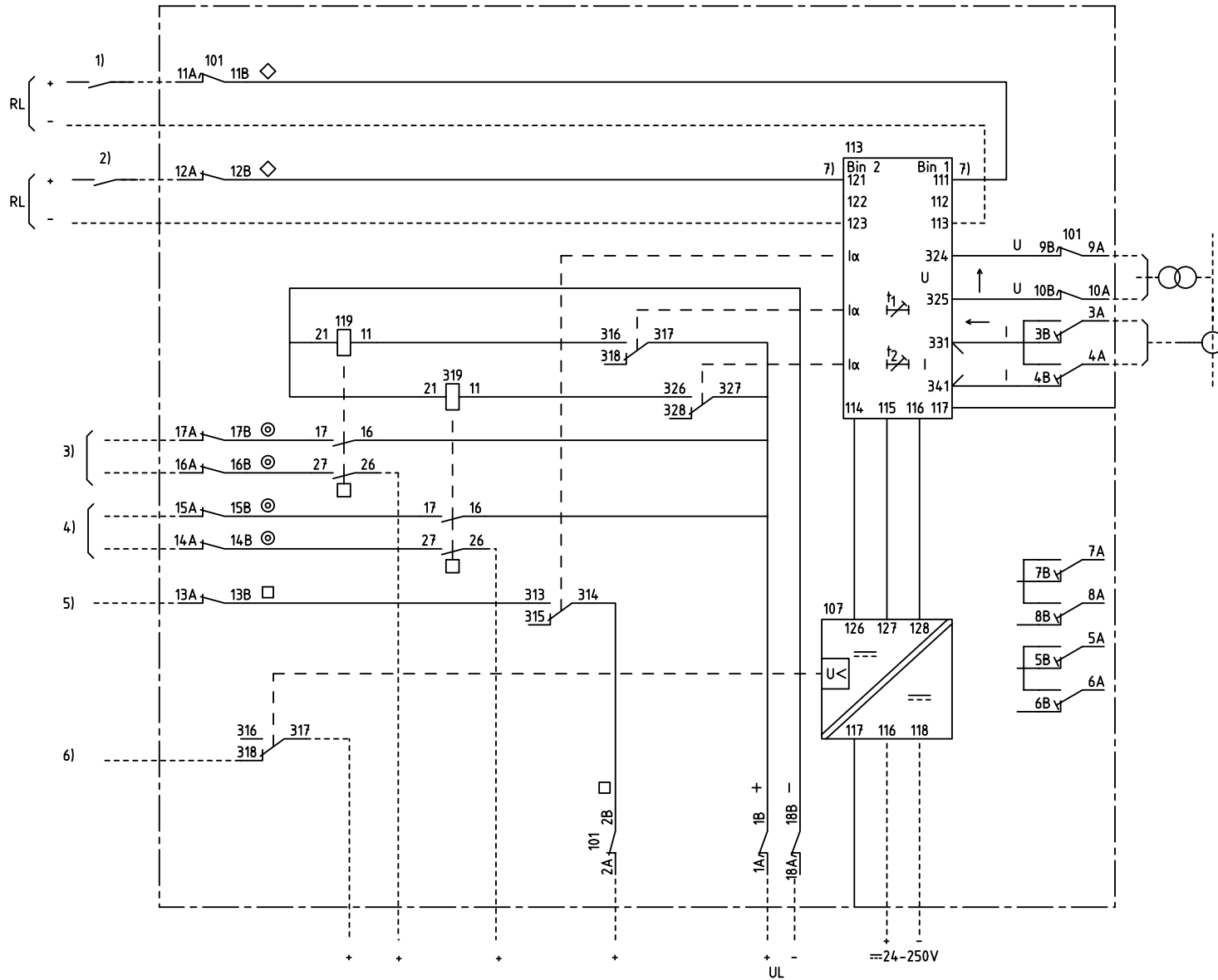
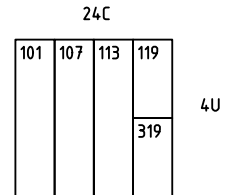


We reserve all rights in this document and in the information contained therein. Reproductions, use for other than intended purposes, or distribution without the written consent of ABB Network Partner AB is strictly forbidden.



REVERSE POWER PROTECTION, DELAYED
BAKEFFEKTSKYDD, FÖRDRÖJT



101 RTXP 18
107 RXTUG 22H
113 RXPPK 2H
119,319 RXME 18

- 1) BLOCKING/ENABLING OF TRIP t1
BLOCKERING/FRIGIVNING AV UTLÖSNING t1
- 2) RESETTING OF INDICATION
ÅTERSTÄLLNING AV INDIKERING
- 3) REVERSE POWER, TRIP t1
BAKEFFEKT, UTLÖSNING t1
- 4) REVERSE POWER, TRIP t2
BAKEFFEKT, UTLÖSNING t2
- 5) REVERSE POWER, START
BAKEFFEKT, START
- 6) LOSS OF AUXILIARY VOLTAGE
BORTFALL AV HJÄLPSPÄNNING
- 7) CONNECTED FOR RL=110-220V DC
CHANGE FROM 111 TO 112 AND
121 TO 122 AT RL=48-60V DC
KOPPLAD FÖR RL=110-220V DC
ÄNDRA FRÅN 111 TILL 112 OCH
121 TILL 122 VID RL=48-60V DC

ELCAD ID TPT/render

DATE 2004-06-224:20

IMRK 001 057-EA

Issued in ARCADE

Prepared 97-10-15 H RAZA		CIRCUIT DIAGRAM/KRETSSCHEMA			
Approved 98-02-03 R KARLSSON		RAPPK REVERSE POWER PROTECTION			
		RAPPK BAKEFFEKTSKYDD			
Rev Ind	Revision	Reg No 74.11	+ .		Lang 82
Based on	Pct 890.522	ABB ABB Network Partner AB		IMRK 001 058-EA	Sheet 1
				Cont	