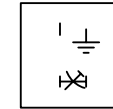
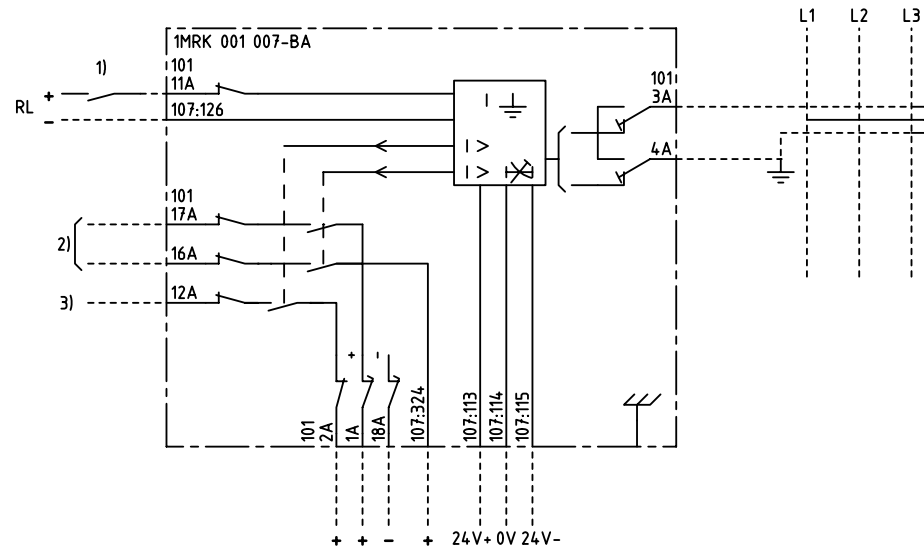


We reserve all rights in this document and in the information contained therein. Reproduction, use for other than intended purposes, or distribution without the written consent of ABB Network Partner AB is strictly forbidden.



EARTH-FAULT PROTECTION
JORDFELSSKYDD

- 1) ENABLING OR BLOCKING
FRIGIVNING ELLER BLOCKERING
- 2) EARTH-FAULT, TRIPPING
JORDFEL, UTLÖSNING
- 3) EARTH-FAULT, START
JORDFEL, START
- 5) MUST BE ENERGIZED FROM RXTUG 21/22H
MÅSTE MATAS FRÅN RXTUG 21/22H

ELCAD ID TPTD/render

DATE 2004-06-2122:05

Issued in ARCADE

Prepared 96-12-06 H RAZA/J ERIKSSON		TERMINAL DIAGRAM/UTTAGSSCHEMA		Resp dep TPTD		Rev ind -		Lang en	
Approved 97-01-13 P JENÅKER		RAIDG 1 EARTH-FAULT PROTECTION		Sheet 1					
		RAIDG 1 JORDFELSSKYDD		Cont					
Rev Ind	Revision	Reg No	7411	ABB Network Partner AB		1MRK 001 007-BAA			
Based on		Pcl	890.475						