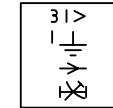
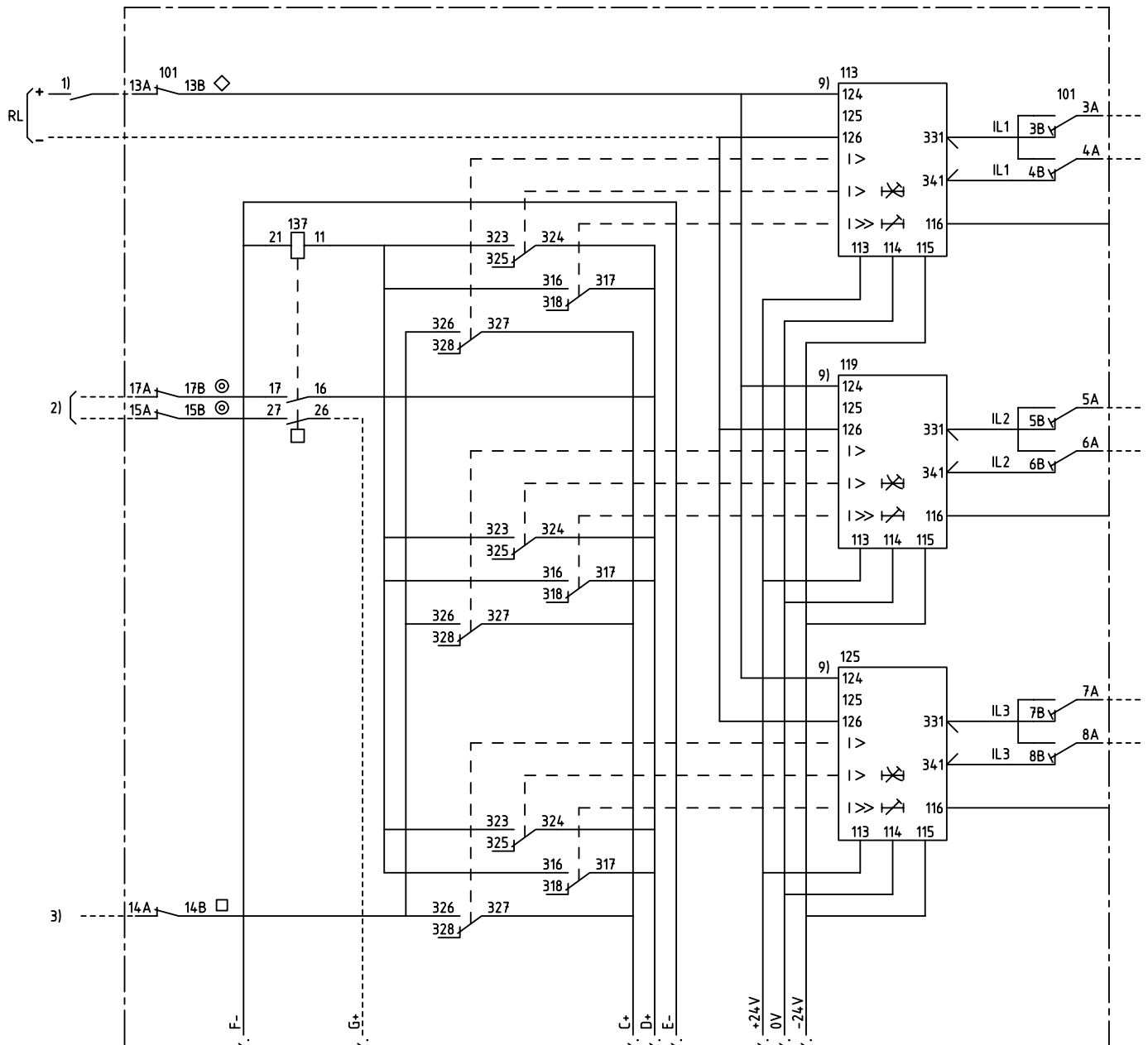


We reserve all rights in this document and in the information contained therein. Reproduction, use for other than intended purposes, or distribution without the written permission of ABB Network Partner AB is strictly forbidden.



3-PH OVERCURRENT AND DIRECTIONAL EARTH FAULT PROTECTION, DELAYED
3-FAS ÖVERSTRÖMS- OCH RIKTAT JORDFELSSKYDD, FÖRDRÖJT

42C

101	107	113	119	125	131	137	
							337

4U

- 101 RTXP 18
- 107 RXTUG 22H
- 113,119,125 RXIDK 2H
- 131 RXPDK 22H
- 137,337 RXME 1

- 1) ENABLING, BLOCKING OR INCREASED OP.VALUE
FRIGIVNING, BLOCKERING ELLER ÖKAT FUNKTIONSVÄRDE
- 2) OVERCURRENT, TRIPPING
ÖVERSTRÖM, UTLÖSNING
- 3) OVERCURRENT, START
ÖVERSTRÖM, START
- 4) CHANGING OF CHARACTERISTIC ANGLE α
0° TO -90° OR -90° TO 0°
ÄNDRING AV KARAKTERISTISK VINKEL α
0° TILL -90° OR -90° TILL 0°
- 5) RESETTING OF INDICATION
ÅTERSTÄLLNING AV INDIKERING
- 6) DIRECTIONAL EARTH FAULT, TRIPPING
RIKTAT JORDFEL, UTLÖSNING
- 7) DIRECTIONAL EARTH FAULT CURRENT, START
RIKTAD JORDFELSTRÖM, START

ELCAD ID TPT/render

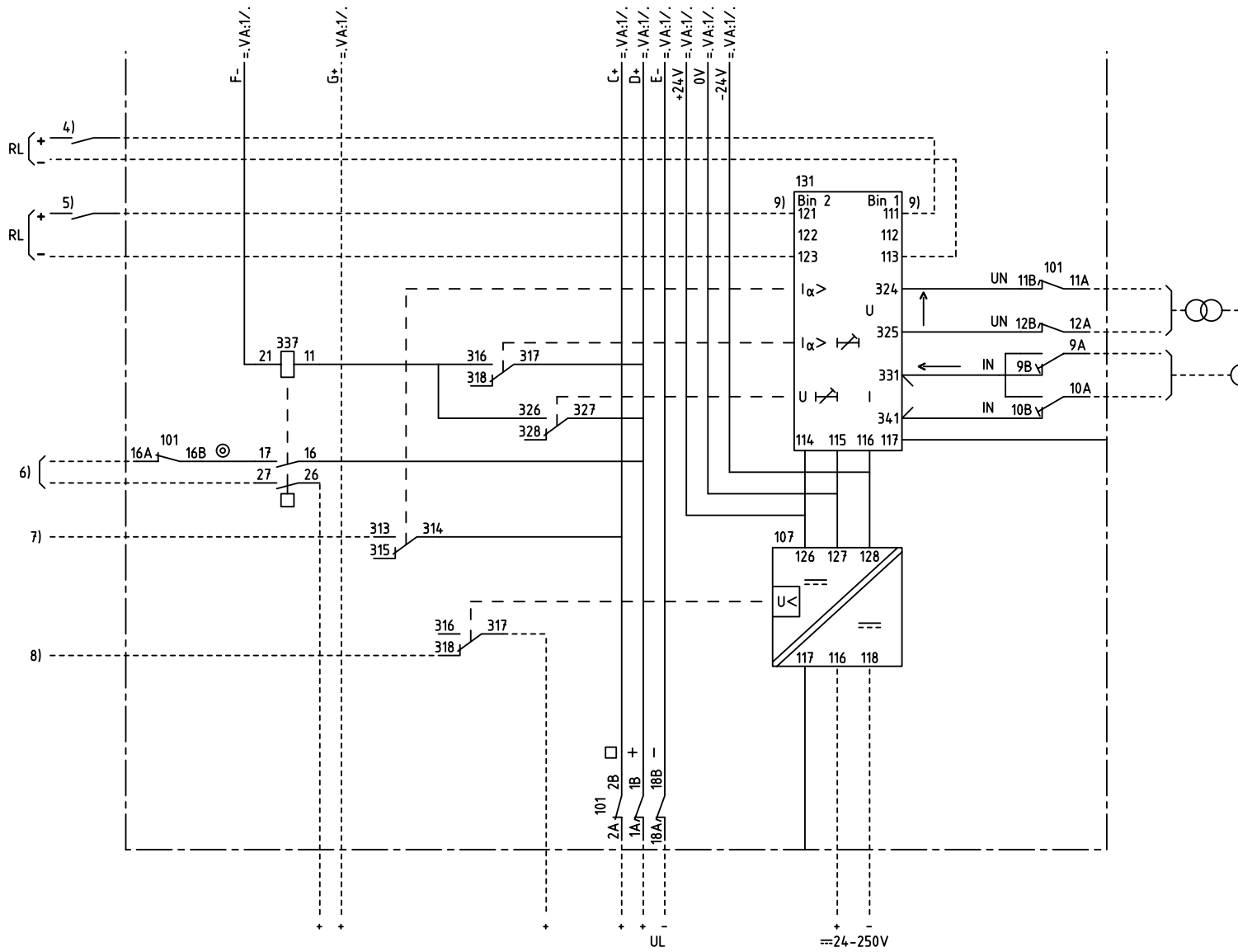
DATE 2004-06-22

1MRK 001 070-VA

Issued in ARCADE

Prepared 96-11-26		iL-H EINVALL/KJ		CIRCUIT DIAGRAM/KRETSSCHEMA			
Approved 97-02-06		R KARLSSON		RACIK 224 O/C AND DIR. E/F PROTECTION			
				RACIK 224 Ö.STR- OCH RIKT. JORDFELSSKYDD		Resp dep TPT Rev ind 1 99-05-11 Lang 82	
Rev Ind	Revision	Reg No	7411	ABB ABB Network Partner AB		1MRK 001 071-VA	
Based on		Pcl	890.616				
						Cont	2

We reserve all rights in this document and in the information contained therein. Reproduction, use for other than intended purposes, or distribution without the written permission of ABB Network Partner AB is strictly forbidden.



- 8) LOSS OF AUXILIARY VOLTAGE
BORTFALL AV HJÄLPSPÄNNING
- 9) CONNECTED FOR RL=110-220V DC CHANGE
FROM 111 TO 112, 121 TO 122 AND
124 TO 125 AT RL=48-60V DC
KOPPLAD FÖR RL=110-220V DC ÄNDRA
FRÅN 111 TILL 112, 121 TILL 122 OCH
124 TILL 125 VID RL=48-60V DC

ELCAD ID TPT/render DATE 2004-06-224:18 1MRK 001 070-VA Issued in ARCADE

Prepared 96-11-26		C-H EINVALL/KJ		CIRCUITDIAGRAM/KRETSSCHEMA		Resp dep TPT		Rev ind 1 99-05-11		Lang 82	
Approved 97-02-06		R KARLSSON		RACIK 224 O/C AND DIR. E/F PROTECTION		1MRK 001 071-VA		Sheet 2		Cont	
Rev Ind	Revision	Reg No	7411	ABB ABB Network Partner AB							
Based on		Pct	890.616								