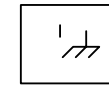
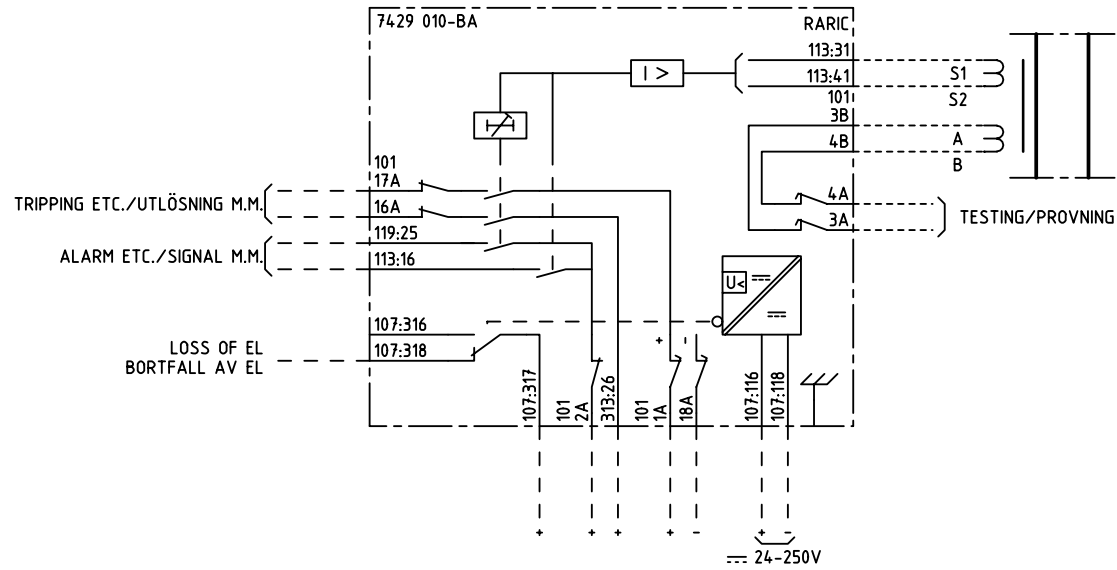


We reserve all rights in this document and in the information contained therein. Reproduction, use for other purposes or distribution without the written consent of ABB Network Partner AB is strictly forbidden.



SHAFT CURRENT PROTECTION
LAGERSTRÖMSSKYDD

ELCAD ID TPTD/render

DATE 2004-06-234:33

Prepared 95-11-13 C-H EINVALL/J ERIKSSON
Approved 96-06-11 Peter Jenøker

TERMINAL DIAGRAM/UTTAGSSCHEMA
RARIC SHAFT CURRENT PROTECTION
RARIC LAGERSTRÖMSSKYDD

Resp dep TPTD Rev Ind - Lang 82

Rev Ind Revision Reg No 7429
Based on Pcl 890 649

ABB ABB Network Partner AB

7429 010-BAA

Sheet 1
Cont