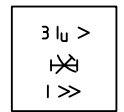
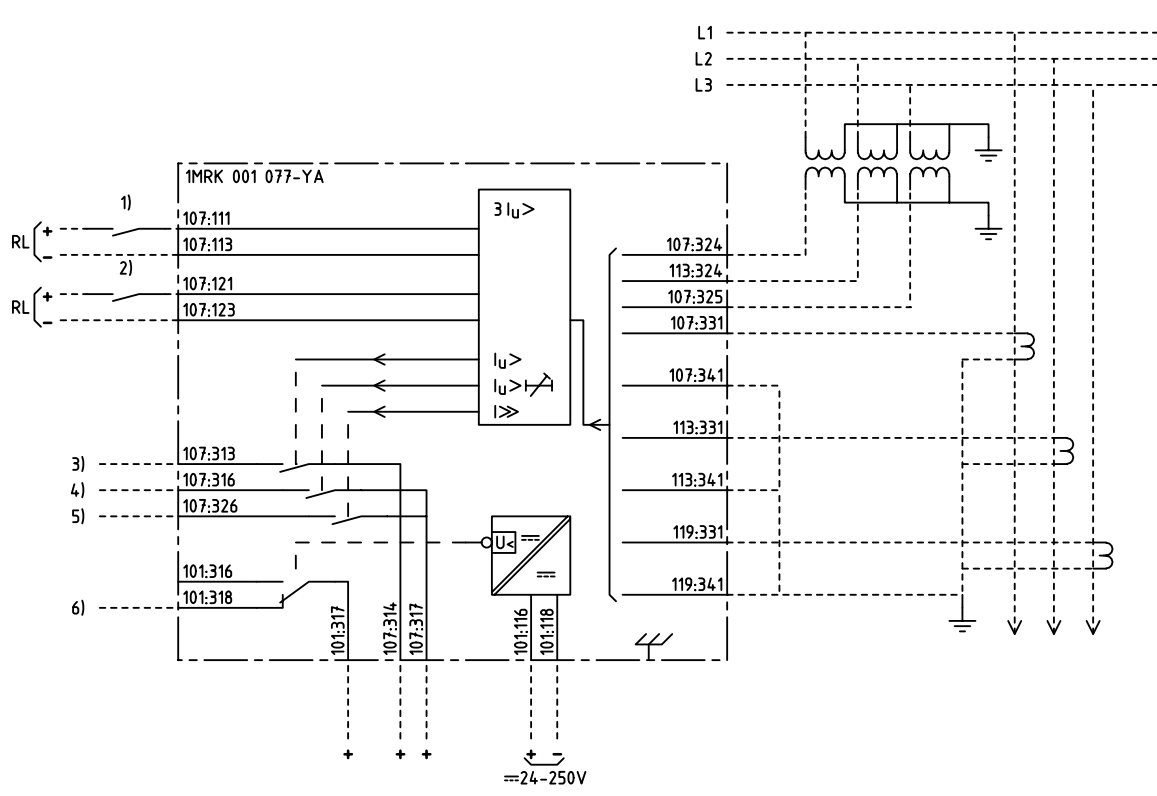


We reserve all rights in this document and in the information contained therein. Reproduction, use for other than intended purposes, or distribution without the written permission of ABB Network Partner AB is strictly forbidden.



3-PH VOLTAGE RESTRAINT
OVERCURRENT PROTECTION
3-FAS SPÄNNINGSSTABILISERAT
ÖVERSTRÖMSSKYDD

- 1) BLOCKING OF $I_u >$ FUNCTIONS
BLOCKERING AV $I_u >$ FUNKTIONERNA
- 2) RESETTING OF INDICATION
ÅTERSTÄLLNING AV INDIKERING
- 3) VOLTAGE RESTRAINT OVERCURRENT,
START
SPÄNNINGSSTABILISERAD ÖVERSTRÖM,
START
- 4) VOLTAGE RESTRAINT OVERCURRENT,
TRIPPING
SPÄNNINGSSTABILISERAD ÖVERSTRÖM,
UTLÖSNING
- 5) OVERCURRENT, TRIPPING
ÖVERSTRÖM, UTLÖSNING
- 6) LOSS OF AUXILIARY VOLTAGE
BORTFALL AV HJÄLSPÄNNING

ELCAD ID PS/render DATE 2004-06-230:59 Issued in ARCADE

| | | | | | | | | | |
|-----------------------------|----------|---|---------|--|--|-------------------------|--|---------|--|
| Prepared 97-08-12 H RAZA/JE | | TERMINAL DIAGRAM/UTTAGSSCHEMA | | Resp dep PS | | Rev ind - | | Lang 82 | |
| Approved 97-08-28 P JENÄKER | | RAISK 3 3-PH. VOLT. RESTRAINT O/C PROT. | | RAISK 3 3-FAS SP.STAB. ÖVERSTRÖMSSKYDD | | | | Sheet 1 | |
| Rev Ind | Revision | Reg No | 7411 | ABB ABB Network Partner AB | | 1MRK 001 077-YAA | | Cont | |
| Based on | | Pcl | 890.562 | | | | | | |