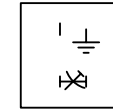
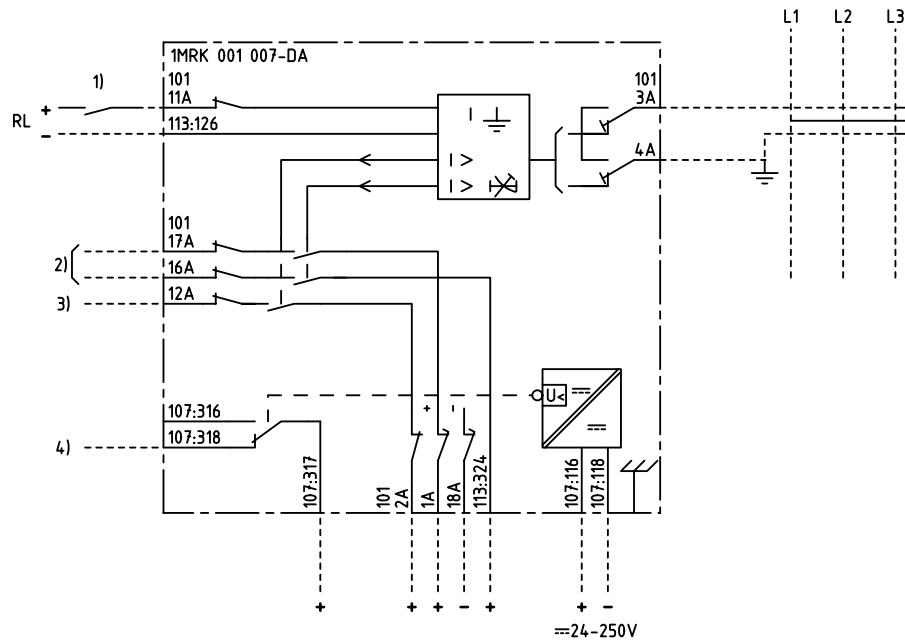


We reserve all rights in this document and in the information contained therein. Reproduction, use for other than intended purposes, without the written authority of ABB Network Partner AB is strictly forbidden.



EARTH-FAULT PROTECTION
JORDFELSSKYDD

- 1) ENABLING OR BLOCKING
FRIGIVNING ELLER BLOCKERING
- 2) EARTH-FAULT, TRIPPING
JORDFEL, UTLÖSNING
- 3) EARTH-FAULT, START
JORDFEL, START
- 4) LOSS OF AUXILIARY VOLTAGE
BORTFALL AV HJÄLPSPÄNNING

ELCAD ID TPTD/render

DATE 2004-06-2222:30

Issued in ARCADE

Prepared 96-06-18 H RAZA/J ERIKSSON		TERMINAL DIAGRAM/UTTAGSSCHEMA		Resp dep TPTD		Rev ind -		Lang en	
Approved 96-07-02 P JENÄKER		RAIDG 1 EARTH-FAULT PROTECTION		RAIDG 1 JORDFELSSKYDD				Sheet 1	
Rev Ind	Revision	Reg No	7411	ABB Network Partner AB		1MRK 001 007-DAA		Cont	
Based on		Pcl	890,475						