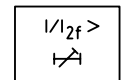
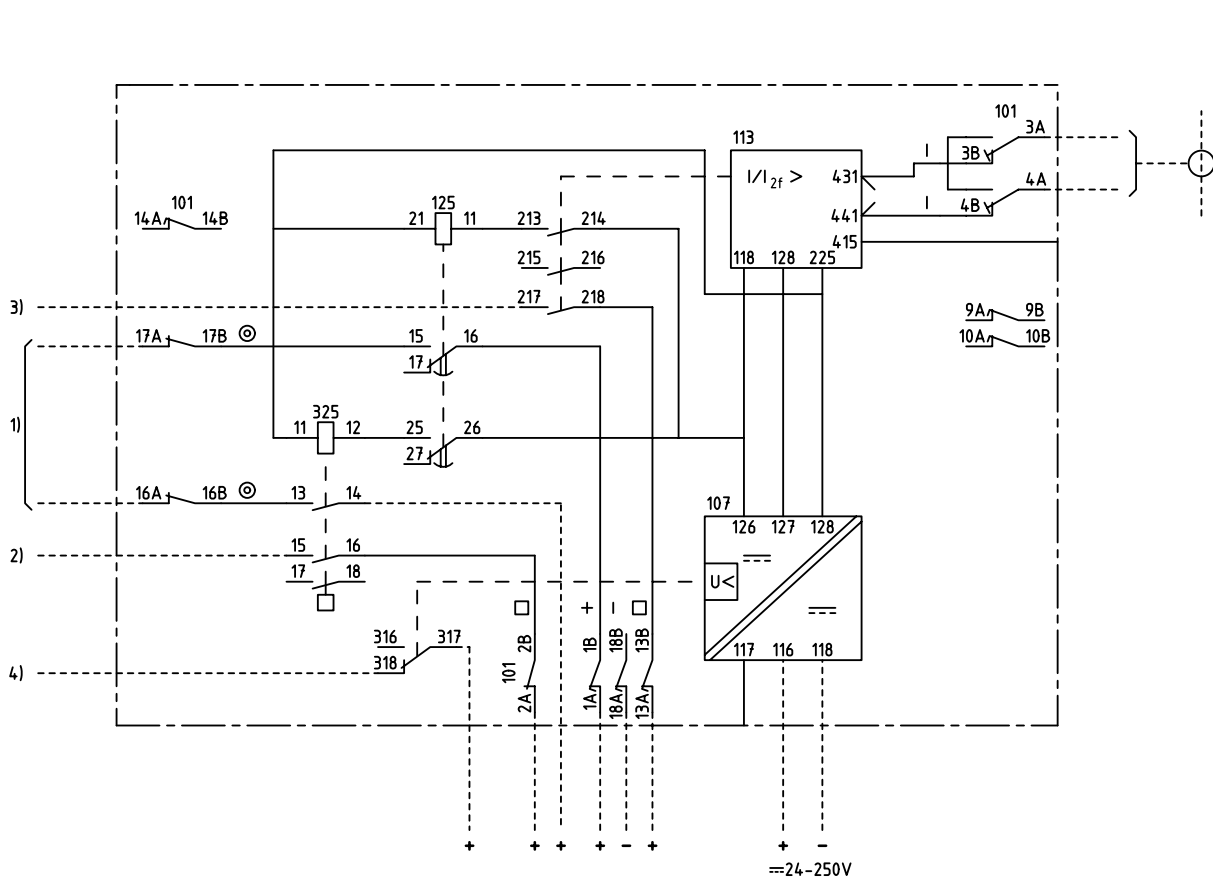


We reserve all rights in this document and in the information contained therein. Reproduction, use for other than intended purposes, without the written consent of ABB Network Partner AB is strictly forbidden.



EARTH-FAULT OR 1-PHASE
OVERCURRENT PROTECTION WITH
HARMONIC RESTRAINT

JORDFELSSKYDD ELLER 1-FAS
ÖVERSTRÖMSSKYDD MED
ÖVERTONSSTABILISERING

30C			
101	107	113	125
			325
4U			

101	RTPX 18
107	RXTUG 22H
113	RXISB 4
125	RXKL 1
325	RXSF 1

- 1) TRIPPING ETC.
UTLÖSNING M.M.
- 2) ALARM ETC.
SIGNAL M.M.
- 3) ENABLING ETC.
FRIGIVNING M.M.
- 4) LOSS OF AUXILIARY VOLTAGE
BORTFALL AV HJÄLPSPÄNNING

ELCAD ID PAT/render DATE 2004-06-2220:21

1MRK 000052-BA

Issued in ARCADE

Prepared 93.43 C-H EINVALL		CIRCUIT DIAGRAM/KRETSSHEMA		Resp dep PAT		Rev ind 3 96.50		Lang 82	
Approved 93.43 P JENÄKER		RAISB EARTH FAULT PROTECTION		1MRK 000 052-BB		Sheet 1			
Rev Ind Revision		Reg No 7432		ABB ABB Network Partner AB		Cont			
Based on		Pct 890.652							